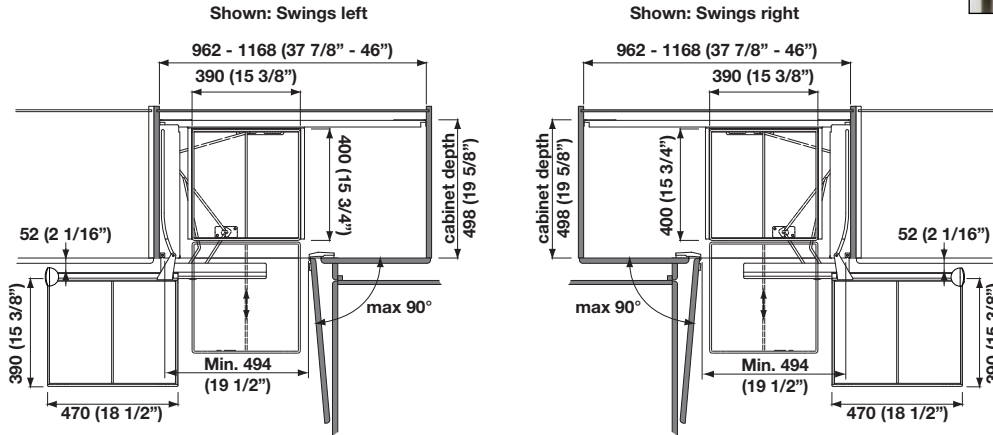


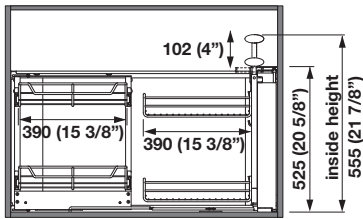
Corner Systems

Magic Corner II with Soft & Silent Feature

- Requires minimum door opening of 494 mm (19 1/2") and additional clearance for door hinge
- Available in swings left or right applications
- Front baskets pull out and swivel to a 90° open position while back baskets are simultaneously moved to the cabinet opening
- Back baskets slide forward individually providing total access
- Soft and Silent Feature slows the pull-out just before final closure, creating automatic and silent closing



soft&silent)))



Base Corner Unit, for use with hinged door

Inside height: 555 mm (21 7/8")

Material: steel, epoxy-coated

	silver RAL 9006	champagne
swings right	[548.10.240]	[548.10.440]
swings left	[548.10.241]	[548.10.441]

Packing: 1 set (mounting instructions included)
(mounting hardware not included)

Arena Plus Tray, with non-slip surface

Basket dimensions:

Front: 390 x 470 x 88 mm (15 3/8" x 18 1/2" x 3 1/2")

Back: 390 x 400 x 85 mm (15 3/8" x 15 3/4" x 3 3/8")

Material: Shelf: melamine

Surround: steel

Color/Finish	Item No.
white/chrome-plated	[548.11.264]
maple/chrome-plated	[548.11.266]
maple/champagne	[548.11.466]

Packing: 1 set (2 front and 2 back baskets)

Storage Baskets, for base corner unit system

Basket dimensions:

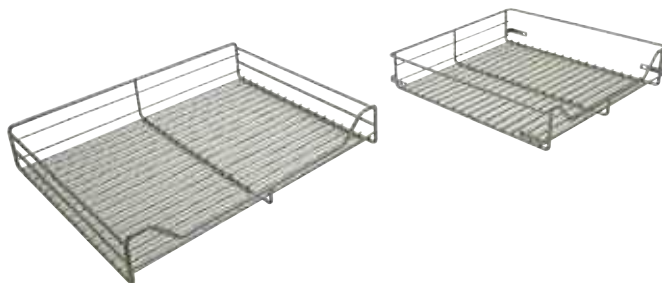
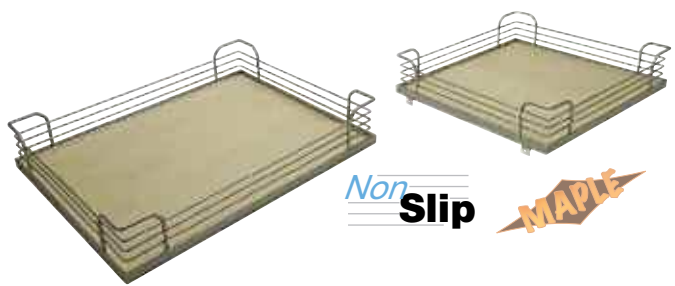
Front: 390 x 470 x 88 mm (15 3/8" x 18 1/2" x 3 1/2")

Back: 390 x 400 x 85 mm (15 3/8" x 15 3/4" x 3 3/8")

Material: steel wire

Finish	Item No.
chrome-plated	[548.11.261]
champagne	[548.11.461]

Packing: 1 set (2 front and 2 back baskets)



Dimensional data not binding. We reserve the right to alter specifications without notice.

Dimensions in mm
Inches are approximate