

# Revolving Corner Unit Systems – Self Closing for Frame and Frameless Construction



### Folding/revolving fitting

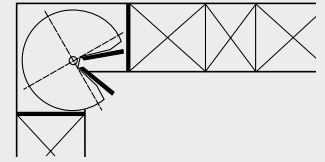
for corner unit 914 x 914 mm (36" x 36")  
and door opening 305 x 305 mm (12" x 12")

- Post with pre-installed folding assembly
- Upper post bearing
- 2 door mounting plates

Material: steel Finish: powder coated, white

| Version            | Height                                | Cat. No.   |
|--------------------|---------------------------------------|------------|
| Frameless          | 750-793 mm<br>(2' 5 1/2" x 2' 7 1/4") | 541.35.522 |
| Face Frame Overlay | 718-761 mm<br>(2' 4 1/4" x 2' 6")     | 541.35.521 |
| Face Frame Inset   | 688-731 mm<br>(2' 3 1/8" x 2' 4 3/4") | 541.35.520 |

Packing: 1 set (Mounting Instructions included)



- For front mounted, internally revolving doors.
- Three dimensional adjustment +/- 4 mm each direction.
- When opened, the folding doors are drawn inward by the mechanism and revolve through the cabinet interior.
- Pre-assembled components for quick assembly.
- Shelves quickly attach and are easily removed.



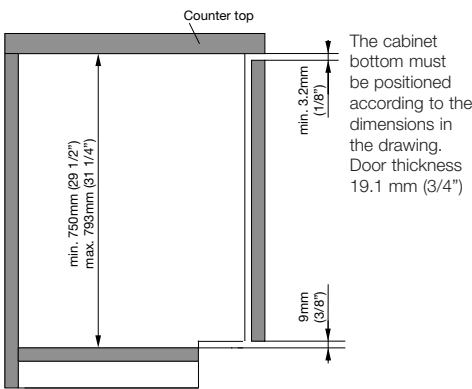
Door mounting for slab, panel and framed doors with a frame width minimum of 40 mm (1 5/8").

## Organizational Products for Kitchen, Bath, Closet and Home Entertainment

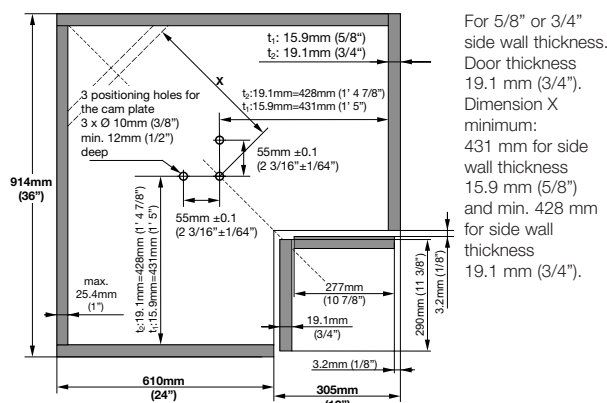
See page **988** for complete shelving options.

- Please note that the cabinet bottom must be positioned lower if the door height is to match adjacent cabinetry.
- **Cabinet Construction details are provided in the Mounting Instructions or can be downloaded at [www.haef.com](http://www.haef.com).**

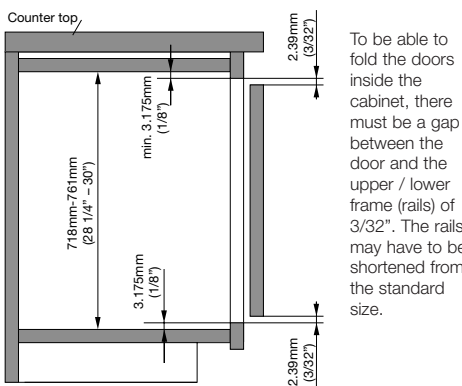
### Frameless



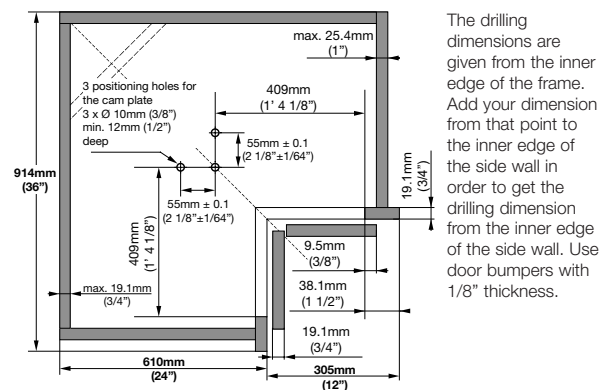
### Cabinet Bottom



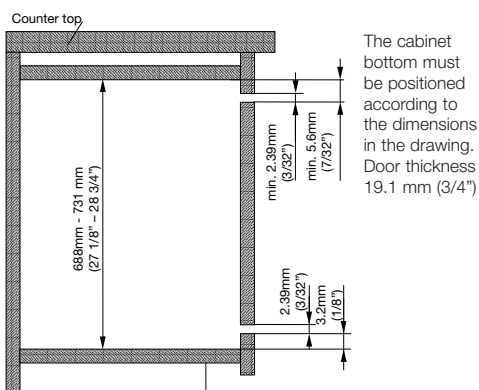
### Face Frame Overlay



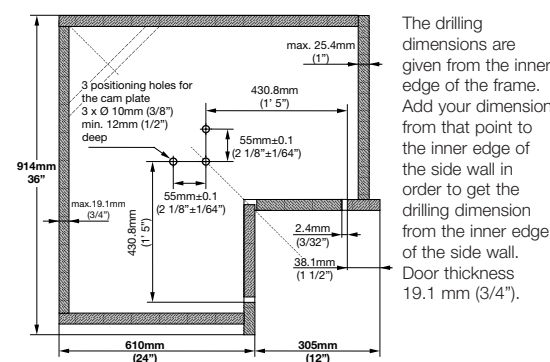
### Cabinet Bottom



### Face Frame Inset



### Cabinet Bottom



Dimensions in mm  
Inches are approximate