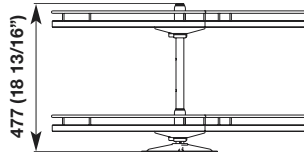


**Corner Systems**

**Revolving Three-quarter Round Pie-Cut - Kesseböhmer**

- Works with overlay and inset doors
- Shelves should be positioned above or below door hinges
- Load capacity: 55 lbs. per shelf

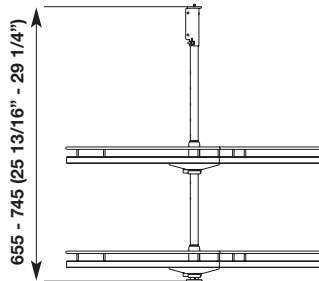


**Center Post**

With stand for cabinet bottom mounting  
Internal height: minimum 18 13/16" (477 mm)  
Material: Post: steel, plated  
Bearing: plastic

Color	Item No.
matt nickel	541.56.891

Packing: 1 pc.

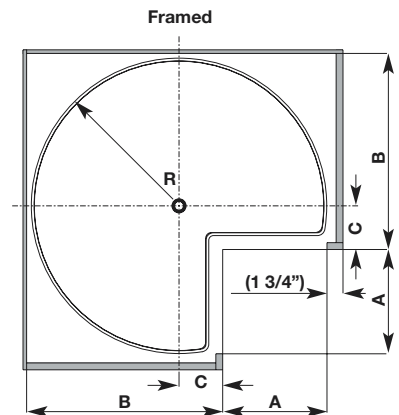
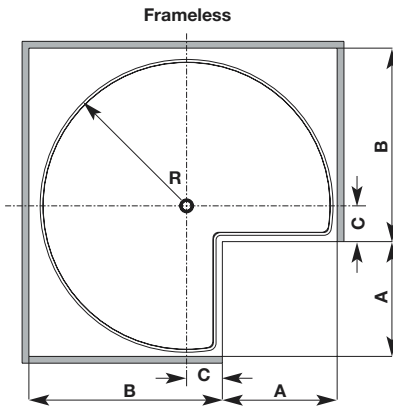
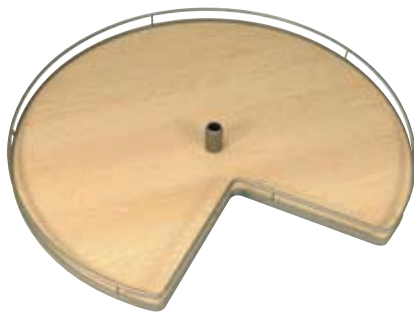


**Center Post Height Adjustable 25 13/16" – 29 1/4" (655 – 745 mm)**

Has to be mounted to top and bottom shelf of cabinet  
Material: Post: steel, plated  
Bearing: plastic

Color	Item No.
matt nickel	541.17.226

Packing: 1 pc.



**Arena Tray Set For Frameless Cabinets**

Post Mounted: with axle connection; post mounted to center  
Material: Shelf: melamine  
Surround: steel, epoxy-coated  
Color: maple/champagne

Size	Radius R	A	B	C	Item No.
24"	12"	10 15/16"	14 1/16"	1 9/16"	541.11.811
	(305)	(279)	(358)	(40)	
28"	14"	11 9/16"	17 1/2"	2 15/16"	541.11.812
	(356)	(294)	(444.5)	(74.5)	
32"	16 1/8"	12 10/16"	20 3/4"	4"	541.11.813
	(410)	(321)	(527)	(102)	

Packing: 1 set (2 trays)

**Arena Tray Set For Framed Cabinets**

Post Mounted: with axle connection; post mounted to center  
Material: Shelf: melamine  
Surround: steel, epoxy-coated  
Color: maple/champagne

Size	Radius R	A	B	C	Item No.
24"	12"	10 1/16"	14 13/16"	2 5/16"	541.11.811
	(305)	(256)	(377)	(59)	
28"	14"	10 9/16"	18 1/4"	3 11/16"	541.11.812
	(356)	(268)	(464)	(94)	
32"	16 1/8"	11 3/8"	21 1/2"	4 3/4"	541.11.813
	(410)	(289)	(546)	(121)	

Packing: 1 set (2 trays)

Dimensional data not binding. We reserve the right to alter specifications without notice.

Dimensions in mm  
Inches are approximate