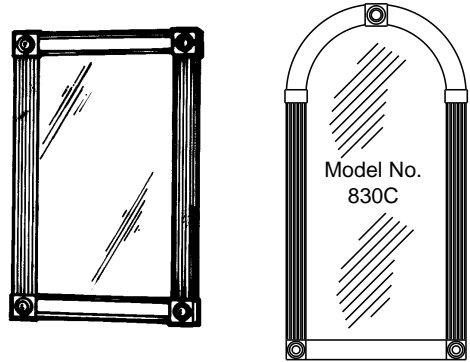




SPECIFICATION SHEET

BAKER STREET SERIES BATHROOM CABINETS AND LIGHT FIXTURES



FEATURES

- Easy to clean, heavy-gauge steel construction
- 1/8" premium float glass mirror
- Solid wood frame
- White powder coat finish
- Full piano hinge
- Adjustable glass shelves
- Reversible - for left-hand or right-hand door opening (* 830C right hand door opening)
- Includes mounting hardware

TYPICAL SPECIFICATION

Bathroom cabinet shall be Baker Street Series Model 820, (822), (824BC), (830C), (828), (870), (872BC), (878BC).

Bathroom cabinet shall be of fabricated heavy gauge steel construction finished in white powder coat after forming.

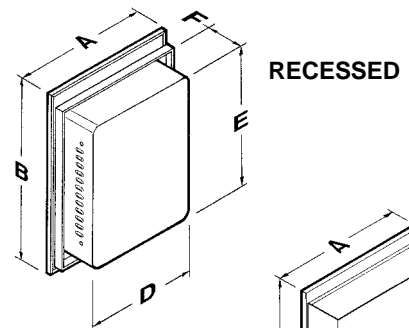
Glass mirror shall have full surround of a Victorian style wood frame. Steel door back shall be screwed tight on the frame and finished in white powder coat to match cabinet.

Cabinet shall have full piano hinge with built-in door stop and a magnetic door catch.

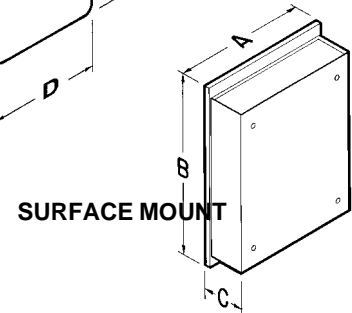
Cabinet shall be reversible for left-hand or right-hand installation (* 830C right hand door opening)

CABINETS

OF	MODEL NO.	OVERALL SIZE			WOOD FINISH	WALL OPENING			MOUNTING		#
		A	B	C		D	E	F	TYPE	SHELVES	
(adj) glass	820	18	27 1/4		Colonial White	14	18	3 1/2	Recessed		2
(adj) glass	822	18	27 1/4	5	Colonial White	---	---	---	Surface	3 (adj) glass	
(adj) glass	828	18	27 1/4		Colonial White	14	24	3 1/2	Recessed		3
(adj) glass	870	18	27 1/4		Honey Oak	14	18	3 1/2	Recessed		2



RECESSED



SURFACE MOUNT

LIGHT FIXTURES

MODEL NO.	FOR USE WITH CABINET MODEL	OVERALL SIZE			RECOMMENDED BULBS
		W	H	D	
7022	3 822	18	8	13 1/2	2 - 60W Std. MB
70273	872BC	18	8	13 1/2	2 - 60W Std. MB
70323	820, 828	18	8	9	2 - 60W Std. MB
70324	824BC	18	8	9	2 - 60W Std. MB
70373	870, 878BC	18	8	13 1/2	2 - 60W Std. MB



REFERENCE	QTY.	REMARKS	Project
			Location
			Architect
			Engineer
			Contractor
			Submitted by Date