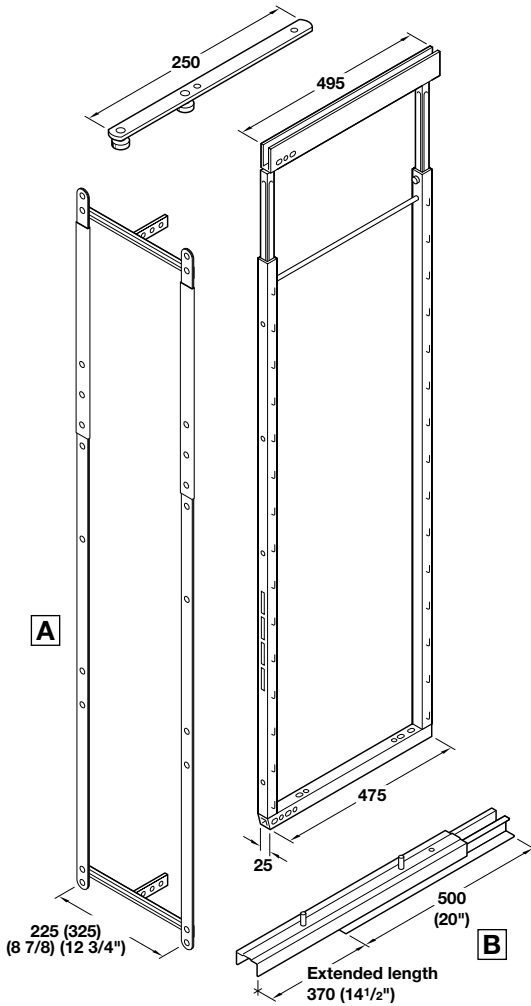


Pantry Pull-out Unit

HÄFELE

at
cabinet :: accessories
 U N L I M I T E D



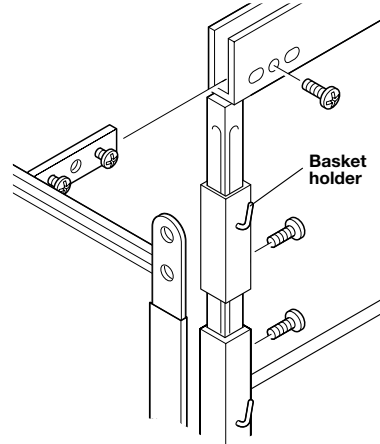
Pantry Pull-out Unit - height-adjustable , single-extension

Capacity: 100 kg (220 lbs.)
 Pantry frame includes front frame, front frame fixing brackets and counter frame.

Extension runner must be ordered separately.

Installed dimensions:

Depth: minimum 500 mm (20")
 Height: 1195 - 1685 mm (47 - 66³/₈"
 1590-2080 (62⁵/₈"- 81⁷/₈"
 1895-2380 (74⁵/₈"- 93⁷/₈"
 Width: 260 mm (10¹/₄"
 to 360 mm (14¹/₈"



Detailed assembly installation included.

A Pantry frame

Finish: steel, epoxy-coated

Cabinet width mm inch	Installed height mm	Installed height inch	Cat. No.	
			white Ral 9010	silver Ral 9006
300 12"	1195-1685	47-66 ³ / ₈ "	546.77.720	546.77.220
300 12"	1590-2080	62 ⁵ / ₈ "-81 ⁷ / ₈ "	546.77.740	546.77.240
300 12"	1895-2380	74 ⁵ / ₈ "-93 ⁷ / ₈ "	546.77.760	546.77.260
400 16"	1195-1685	47-66 ³ / ₈ "	546.77.730	546.77.230
400 16"	1590-2080	62 ⁵ / ₈ "-81 ⁷ / ₈ "	546.77.750	546.77.250
400 16"	1895-2380	74 ⁵ / ₈ "-93 ⁷ / ₈ "	546.77.770	546.77.270



Basket Holder:

To be used as add-on hooks when pantry frame height is extended. Height: 125 mm (5")
 Finish: steel, epoxy-coated

silver RAL 9006	545.84.280
white RAL 9010	545.84.780

Packing: 1 pair (2 pcs.)



B Extension Runner for 3/4" extension effect

Includes upper and lower runners.

Finish: steel, epoxy-coated

Color	Cat. No.
White RAL 9010	546.70.790
Silver Epoxy RAL 9006	546.70.290

Packing: 1 pc.

Stabilizer bar:

for attachment to framed doors

Finish: steel, epoxy-coated

Color	300 mm	400 mm
silver RAL 9006	546.76.201	546.76.210
white RAL 9010	546.76.701	546.76.710

Packing: 1 pc.

Kitchen Accessory
 Systems

5



Dimensions in mm
 Inches are approximate

Dimensional data not binding.
 We reserve the right to alter specifications without notice.

TCH 02

5.57