

## Gourmet Pantry Unit



**Benefits:**

- Large storage capacity in a small space
- Easy access
- Baskets individually height adjustable



**Gourmet pantry unit frames set.**

Including:

- 2 swivel frames,
- 2 extension frames,
- 2 upper runners with stop,
- 2 lower runners,
- 2 upper bearing brackets,
- 2 lower bearing brackets with ball-bearings,
- 2 upper and 2 lower lever arms,
- 2 upper and 2 lower safety covers,
- 2 door catches for the swivel frames,
- 4 door rails, 1130 mm, and all accessories for the assembly. Screws for installing the unit in the cabinet are not included.

Finish: steel, epoxy-coated

Cat. No.	white	545.92.700
	silver	545.92.200

Packing: 1 set



**Storage baskets, for swivel and extension frames**

Size: (W x D x H) 368 x 205 x 74 mm

Finish: steel, chrome-plated

Cat. No.	545.93.207
----------	------------

Packing: 1 pc.



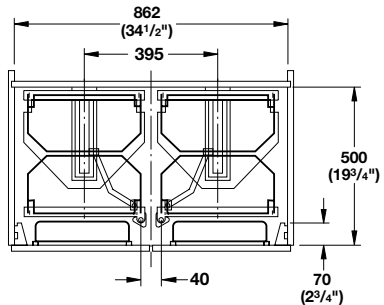
**Storage basket, for standard rails**

Size: (W x D x H) 300 x 75 x 75 mm

Finish: steel, chrome-plated

Cat. No.	520.81.213
----------	------------

Packing: 1 pc.



Fits cabinets with:

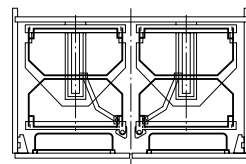
- Inside width: 862 mm (34")
- Inside height: 1270 mm (50")
- Inside depth: 500 mm (19 3/8")

Note: Please use door hinges with 125° opening angle.

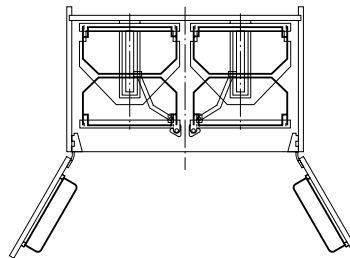
**Ordering suggestion:**

- 1 set Gourmet pantry  
Cat. No. 545.92.700/200
- 20 pcs. Baskets, large  
Cat. No. 545.93.207
- 10 pcs. Baskets, small  
Cat. No. 520.81.213

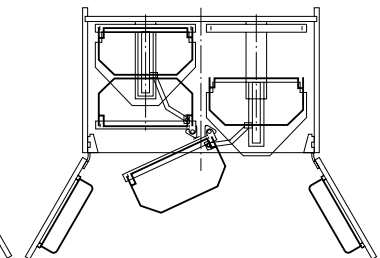
**Cabinet closed**



**Doors opened**



**Swivel frame turned out, extension frame pulled forward automatically**



Dimensions in mm  
Inches are approximate