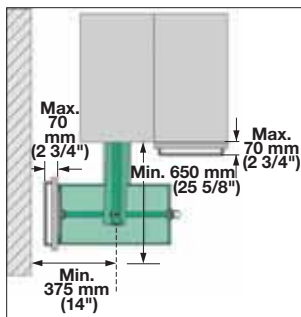
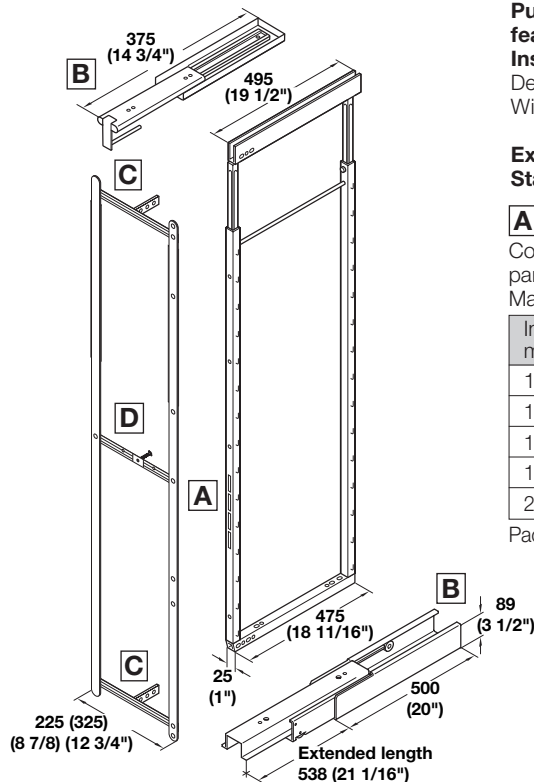


## Pantry Organization

### Swing Pull-out Unit – Kesseböhmer

- Swing pantry allows for easy front access of stored contents
- Swings left or right
- Minimum of 375 mm (14") clearance required to adjacent wall

- Minimum of 650 mm (25 5/8") clearance required for door extension
- Storage basket options on page **985**
- Clearance required for corner installation



*soft&silent* )))

#### **B** Full extension runner

Consists of upper runner with integrated soft & silent feature and lower runner with integrated turn feature. Maximum capacity: 70 kg. (154 lbs.) Material: steel, epoxy-coated

Color	Item No.
silver RAL 9006	546.69.200

Packing: 1 pc.



#### Front stabilizer - optional

Can be secured anywhere to the support frame. For panel (slab) door attachment. Material: steel, epoxy-coated

Color	Item No.
silver RAL 9006	546.76.220

Packing: 1 pc.

#### Pull-out swing unit with integrated soft & silent feature

Installed dimensions: *soft&silent* )))  
Depth: minimum 500 mm (20")  
Width: minimum 262 mm (10 5/16")

Extension runner **B**, Front bracket **C**, and Stabilizer bar **D** must be ordered separately.

#### **A** Pantry frame

Consists of telescopic frame with hooks and front panel connector strips. Material: steel, epoxy-coated

Installed height	mm	inch	silver RAL 9006
1200 - 1400		47 1/4" - 55 1/8"	546.69.241
1400 - 1600		55 1/8" - 63"	546.69.242
1600 - 1800		63" - 70 7/8"	546.69.243
1800 - 2000		70 7/8" - 78"	546.69.244
2000 - 2200		78" - 86 5/8"	546.69.245

Packing: 1 set



#### **C** Front bracket

Required for attachment to top and bottom of pantry frame. Material: steel, epoxy-coated, silver RAL 9006

For Cabinet Width	silver RAL 9006
300 mm (11 3/4")	546.86.200
400 mm (15 3/4")	546.86.210
500 mm (19 3/4")	546.86.240

Packing: 1 set (2 pcs. required per frame).



#### **D** Stabilizer bar - optional

For attachment to tall doors. Material: steel, epoxy-coated

Width	silver RAL 9006
250 mm (9 3/4")	546.76.201
350 mm (13 3/4")	546.76.210

Packing: 1 pc.

#### Basket holder

To be used as add-on hooks when pantry frame height is extended. Height: 125 mm (5") Material: steel, epoxy-coated

Color	Item No.
silver RAL 9006	545.84.280

Packing: 1 set (2 pcs.)

Dimensions in mm  
Inches are approximate

Dimensional data not binding. We reserve the right to alter specifications without notice.