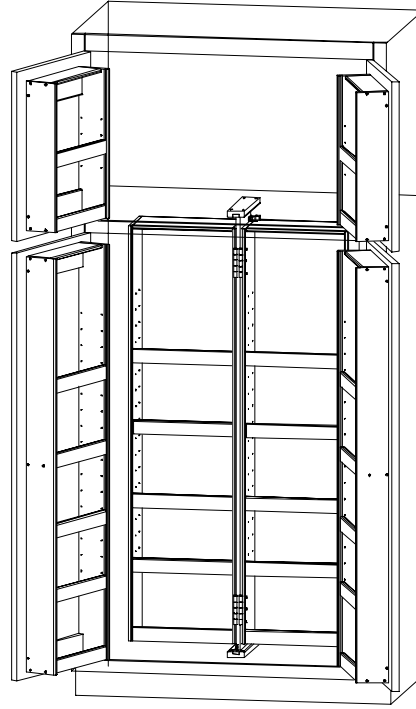


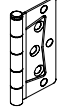
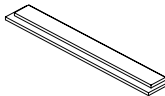

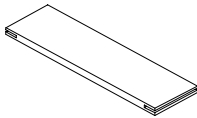

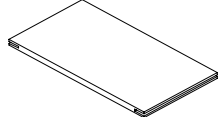

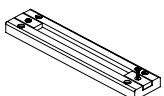





## NATIONAL PRODUCTS CHEF'S PANTRY SYSTEM DOUBLE SWING-OUT AND DOOR UNITS WITH CENTER MOUNTING PANEL INSTALLATION INSTRUCTIONS



### IMPORTANT NOTES

- Always read instructions completely and carefully before beginning assembly.
- Remove and check contents for concealed damage and/or missing parts. Keep original carton and packing material, which are required for any authorized adjustment by your dealer.

<b>CONTENTS OF PARTS BOX/PKG FOR P0351DNL1 DOUBLE PANTRY SYSTEM</b>			
24 EA.- Shelf Supports		2 Sets- Catch and Strike	
4 EA.- 3 1/2" Non-Mortise Hinges		12 EA.- Adjustable Shelf Front	
6 EA.- Threaded Inserts		6 EA.- Door Unit Adjustable Shelf	
8 EA.- # 8 x 1 1/4" Pan Head Screw		6 EA.- Swing-Out Adjustable Shelf	
12 EA.- # 6 x 1/2" Pan Head Screw		2 EA.- Mounting Block	
18 EA.- #8- 32 x1/2" Flat Head Machine Screw			
24 EA.- #6 x 1/2" Truss Head Wood Screw			
12 EA.- 1" x 1" Angle Bracket			

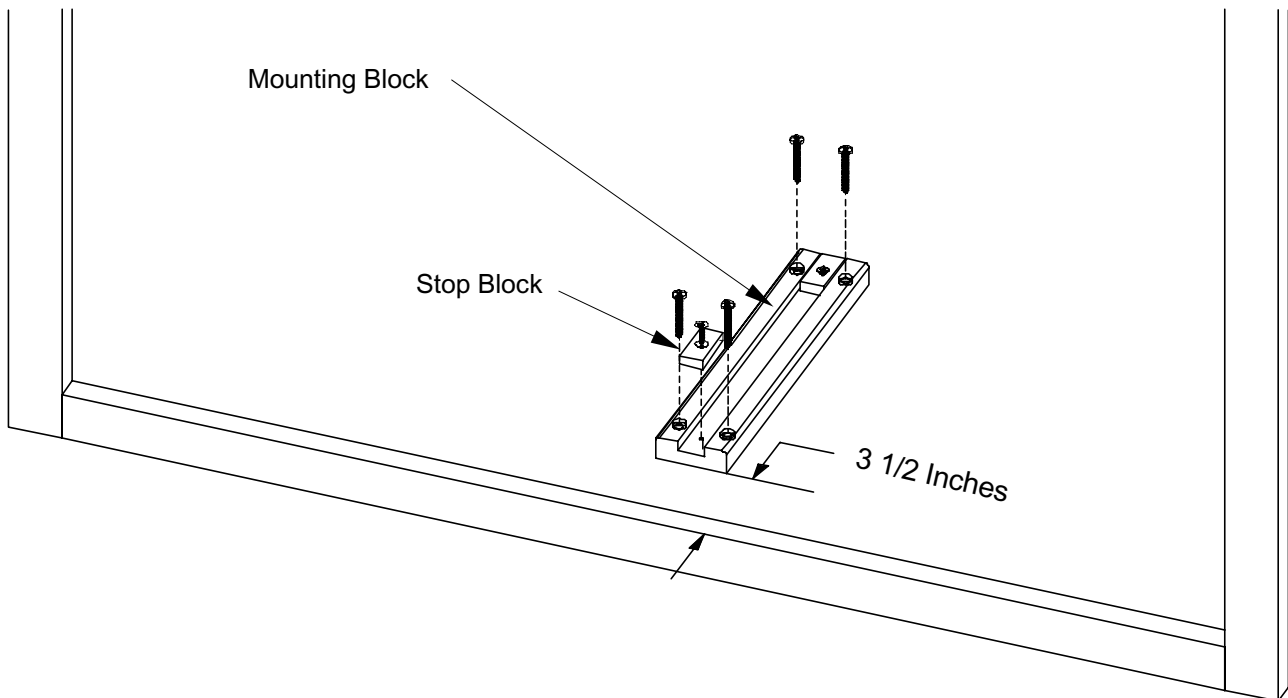
National Products at

**I. INSTALLATION OF SWING-OUT PANTRY UNITS 51 1/2"H X 12 1/4"W X 7"D**

**STEP A:** Installation of Omega's Center Divider Unit.

(Maximum vertical distance for center panel installation is 55 3/8", minimum is 53 1/4")

- 1.) Remove one (1) 3/4 x 1 1/2" drilled stop block from mounting block and position mounting block on floor of cabinet, centered left to right and 3 1/2" from front of face frame of cabinet.

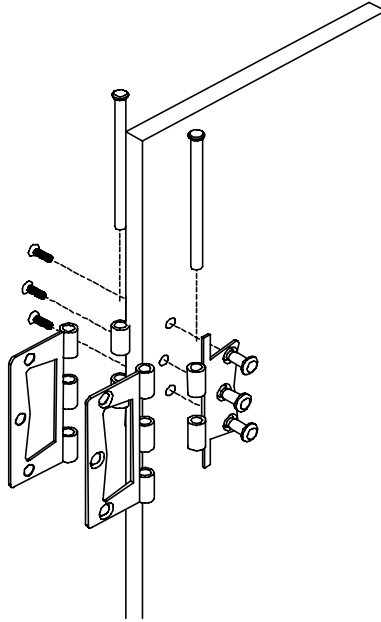


- 2.) Install center mounting block with four (4) ea. #8 x 1 1/4" Pan Head Screws.
- 3.) Remove one (1) 3/4 x 1 1/2" drilled stop block from the remaining center mounting block and install directly above the previously installed mounting block, with four (4) ea. #8 x 1 1/4" Pan Head screws.
- 4.) If necessary, trim center mounting panel to length from top end.
- 5.) Insert center mounting panel in top and bottom center mounting blocks, with edgebanded edge to face of the cabinet.
- 6.) Reinstall 3/4 x 1 1/2" drilled stop block in top and bottom center mounting blocks, securing the center mounting panel in position.
- 7.) Proceed to Step "B".

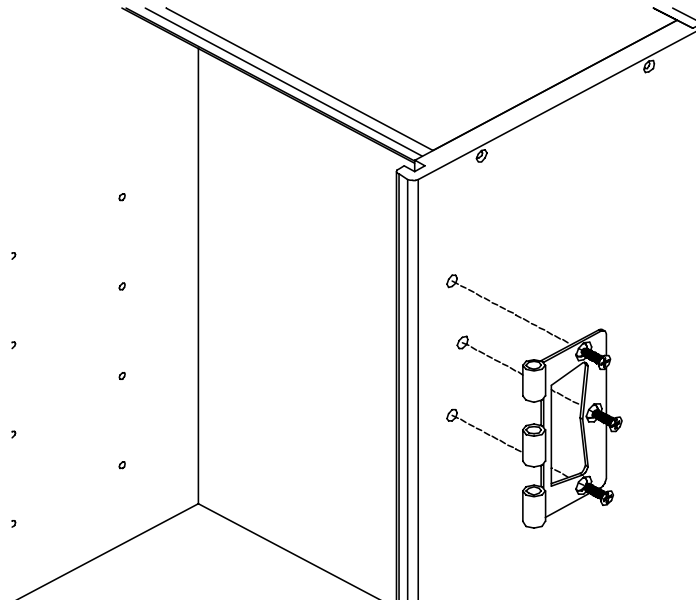
*National Products at*

**STEP B: Installing Swing Out Pantry Units**

- 1.) Install hinges to Center Divider Panel by inserting threaded brass insert through holes in hinge's small leaf. Use #8-32 x 1/2" machine screw to secure second hinge on opposite side of panel.



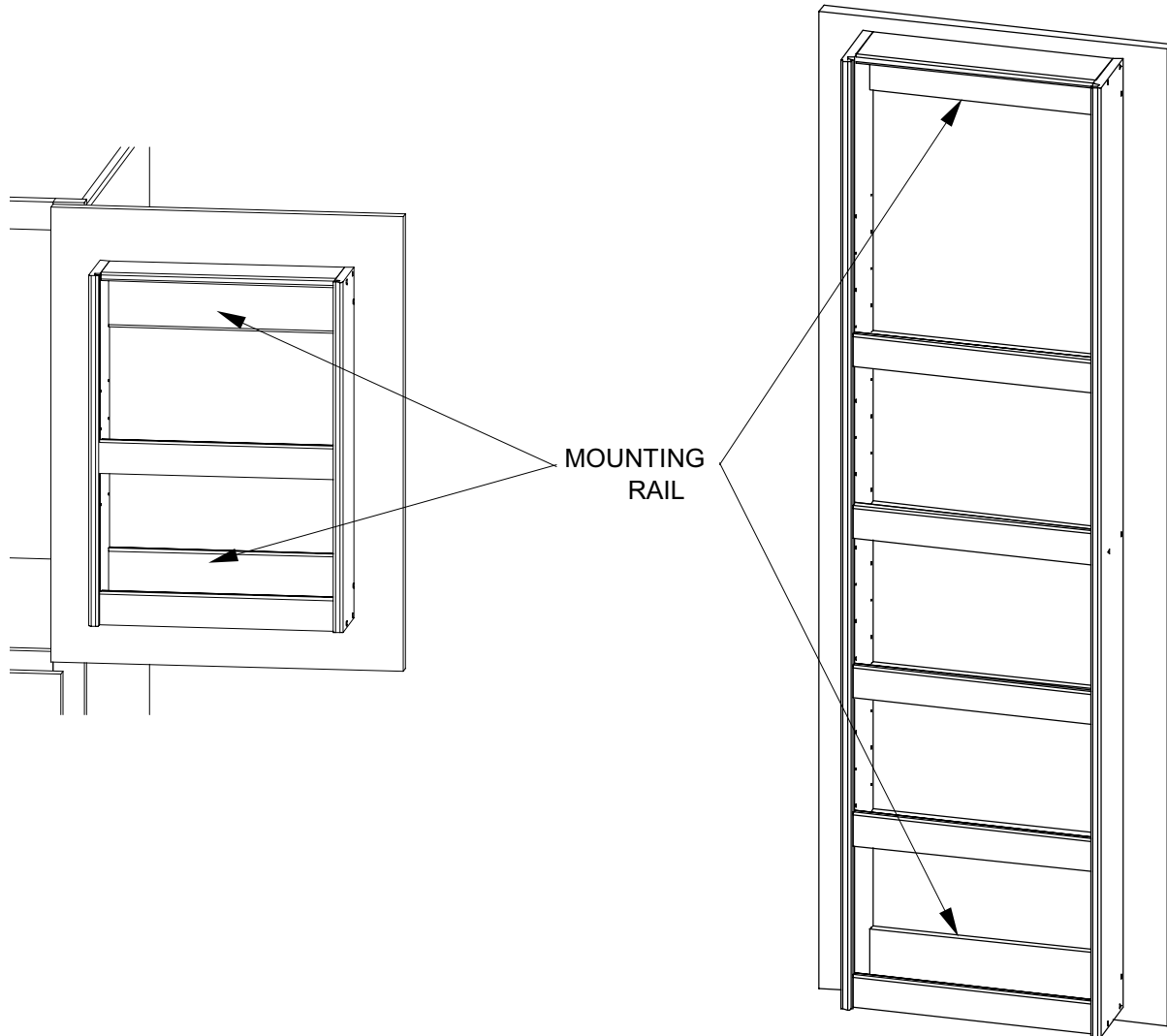
(Make sure head of hinge pin is on top side of hinge)



- 2.) Remove hinge pins and mount large hinge leaf with #8-32 x 1/2" machine screws to the outside of pantry unit into pre-installed threaded inserts. Do not tighten screws completely; just snug up.
- 3.) Reposition hinge and pantry unit to center panel hinge and replace the hinge pins. Tighten all the screws at this time.

National Products at

## II. INSTALLATION OF DOOR MOUNT UNITS



**STEP A:** Determine placement of unit on back of door to provide clearance of all obstacles when unit is installed and door is closed.

**STEP B:** Install unit on back of door by pre-drilling mounting holes in back mounting rail (top and bottom) that will connect to a structural member. Secure unit in place with screws of sufficient size, for safe operation.

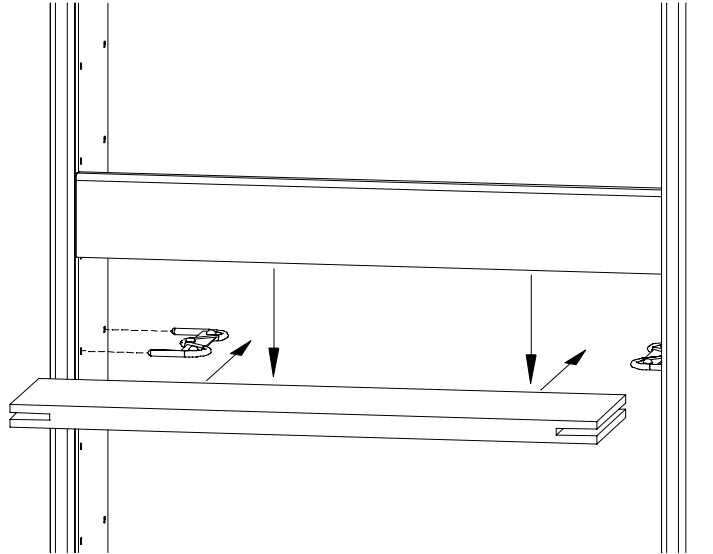
**STEP C:** If unable to mount using the mounting rail, use the angle brackets and #6 x 1/2 inch Truss Head Wood Screws provided.

**STEP D:** Install shelves and shelf fronts ( see Section III )

*National Products at*

**cabinetsource.com**  
powered by [kitchensource.com](http://www.kitchensource.com)

### III. INSTALLATION OF SHELVES AND SHELF FRONTS

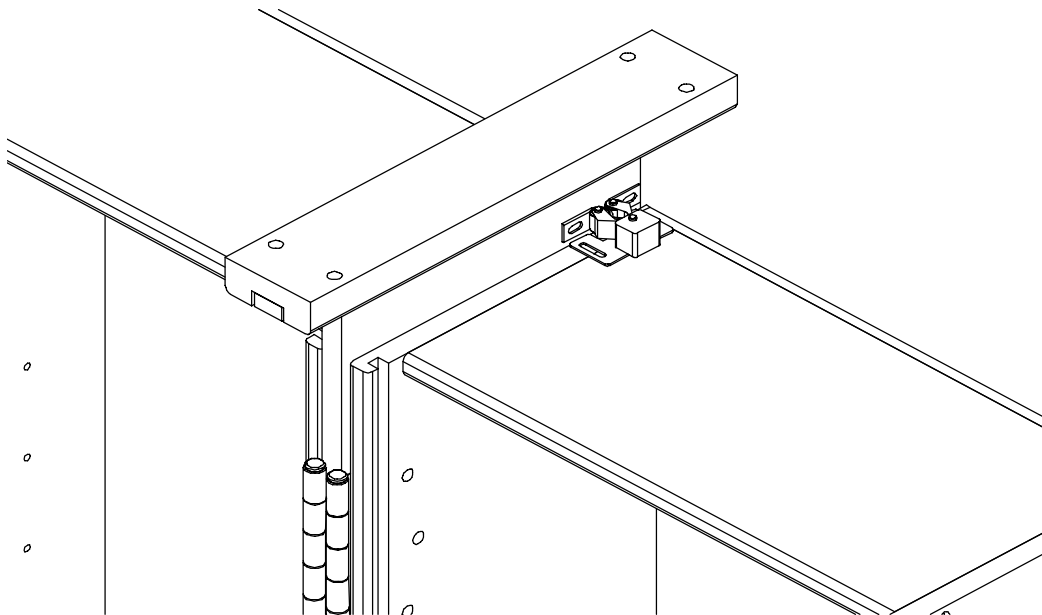


**STEP A:** Install shelf supports in end panels at desired height.

**STEP B:** Install shelf on lowest set of shelf supports, then drop in shelf front from the top until it stops on installed shelf (Dado should go toward shelf).

**STEP C:** Continue with shelves and shelf fronts, working from the bottom to the top.

### IV. INSTALLATION OF CATCH AND STRIKE.



**STEP A:** Install catch on top back corner of Swing-out unit with #6 x 1/2" pan head screws.

**STEP B:** Install strike on sidewall of cabinet with #6 x 1/2" pan head screws.

National Products at

**cabinetsource.com**  
powered by [kitchensource.com](http://www.kitchensource.com)