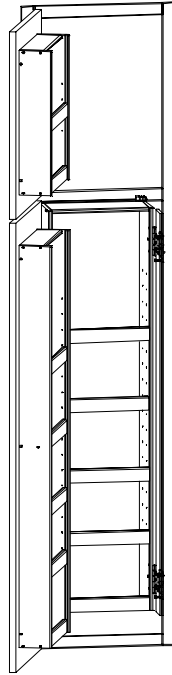









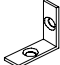
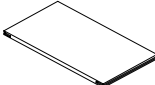



NATIONAL PRODUCTS CHEF'S PANTRY SYSTEM SINGLE SWING-OUT AND DOOR UNITS INSTALLATION INSTRUCTIONS



IMPORTANT NOTES

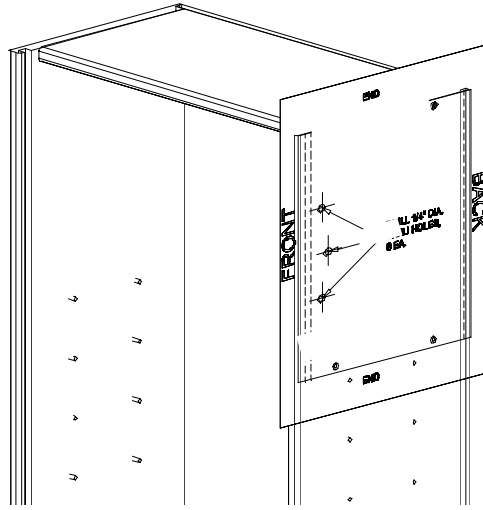
- Always read instructions completely and carefully before beginning assembly.
- Remove and check contents for concealed damage and/or missing parts. Keep original carton and packing material, which are required for any authorized adjustment by your dealer.

HARDWARE & PARTS LIST FOR P0352DNL1 SINGLE PANTRY SYSTEM			
14 EA.- Shelf Supports			
6 EA.- #8 X 3/4" Oval Head Brass Plated Wood Screw		1 EA.- Hinge Assembly	
6 EA.- #8- 32 x 1/2" Flat Head Machine Screw			
6 EA.- Threaded Brass Insert			
4 EA.- # 6 x 1/2" Pan Head Screw		8 EA.- Adjustable Shelf Front	
12EA.- #6 x 1/2" Truss Head Wood Screw		4 EA.- Door Unit Adjustable Shelf	
6 EA.- 1" x 1" Angle Bracket		3 EA.- Swing-Out Adjustable Shelf	
1 Set- Catch and Strike			

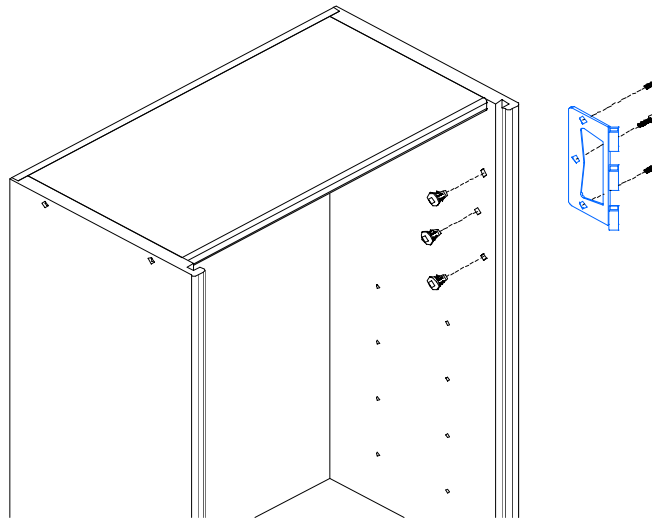
I. INSTALLATION OF SWING-OUT PANTRY UNIT 51 1/2"H X 12 1/4"W X 7"D

STEP A: Drilling Pantry Unit for hinge installation.

- 1.) Determine which side of the face frame the pantry will hinge from. The pantry must hinge on the opposite side as the cabinet door. The pantry needs to be drilled by the installer for either right or left-hand hinging.
- 2.) Locate and drill 1/4" dia. holes for hinges with aid of the paper template.



- 3.) Drive six (6) #8-32 brass inserts into 1/4" dia. holes from inside.

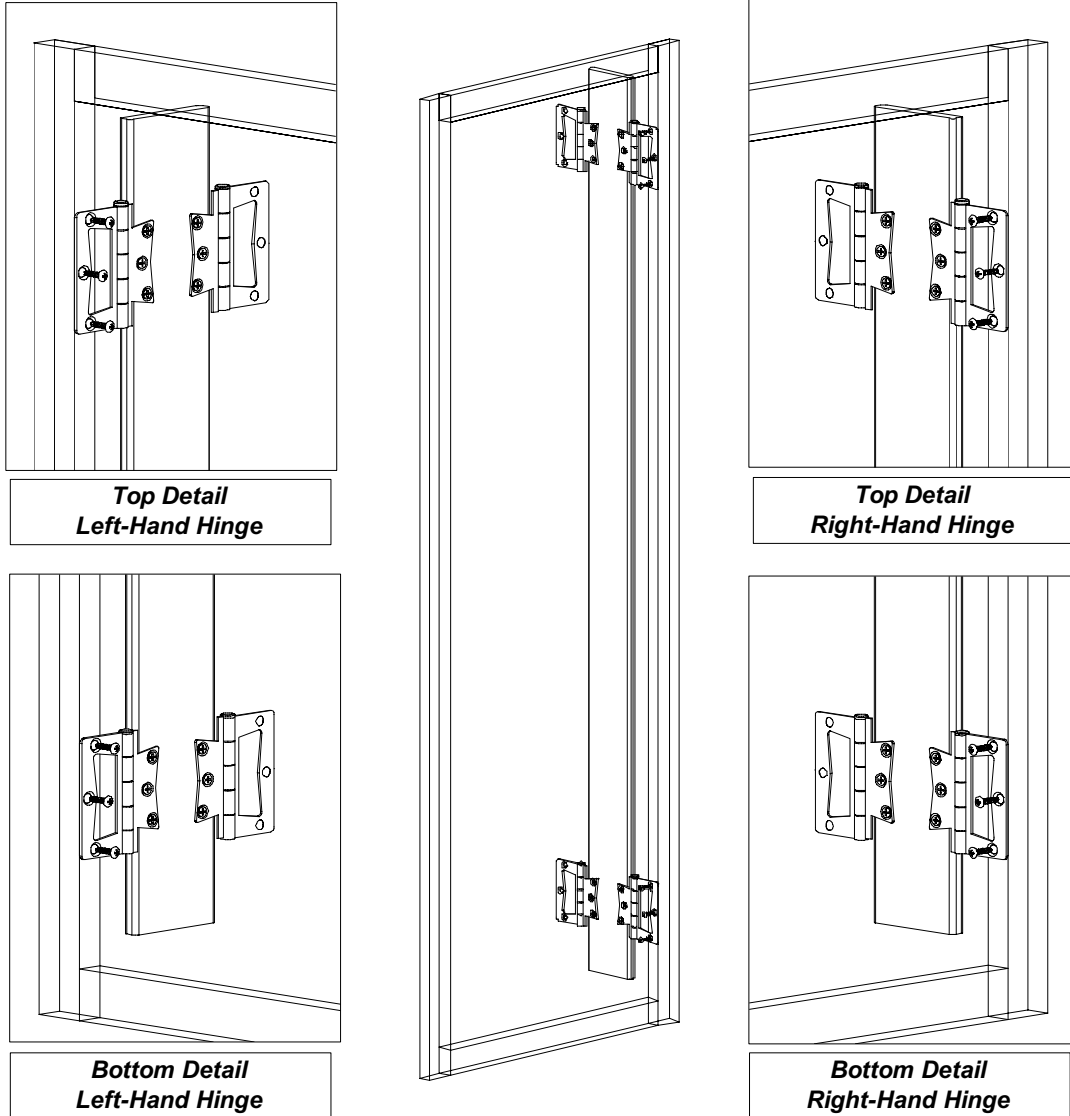


- 4.) Remove pins from hinges that will mount to the pantry unit. Mount the loose hinge leaf to the pantry unit with six (6) #8 X 32 - 1/2" Flat Head Machine Screws into previously installed Brass Insert Nuts. Do not tighten these now.

STEP B: Installation of Hinge Assembly.

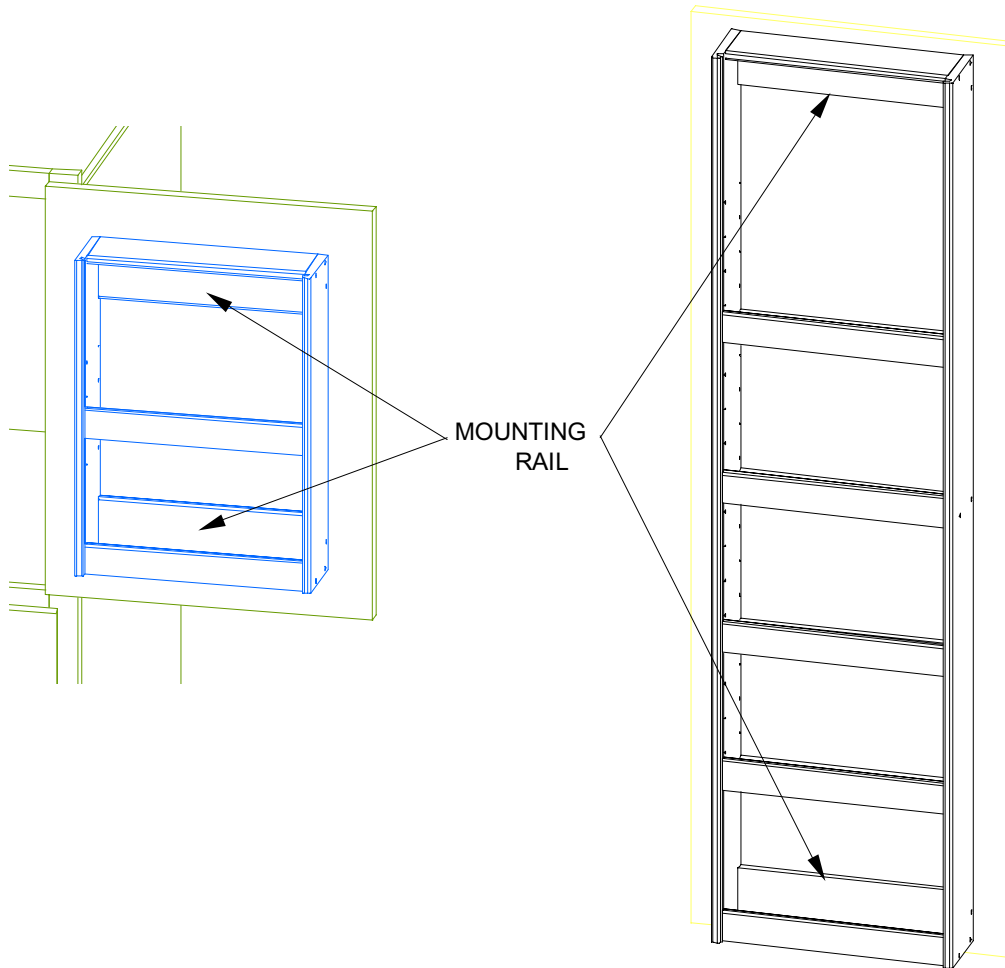
Note: *Hinge Assembly is pre-assembled for right-hand installation.*

- 1.) For left-hand installation, rotate the hinge assembly top to bottom keeping the hinge plates facing the pantry unit. Remove the hinge pins and install from the top.
- 2.) Position Hinge Assembly on cabinet frame about one inch off of cabinet floor and mark holes. **Pre-drill** 1/8" holes and mount Hinge Assembly to cabinet frame with six (6) #8 X 3/4" Brass Plated Oval Headed Wood Screws.



- 2.) Reposition hinge and pantry unit to hinge assembly and replace the hinge pins. Tighten all the screws at this time.

II. INSTALLATION OF DOOR MOUNT UNITS



STEP A: Determine placement of unit on back of door to provide clearance of all obstacles when unit is installed and door is closed.

STEP B: Install unit on back of door by pre-drilling mounting holes in back mounting rail (top and bottom) that will connect to a structural member. Secure unit in place with screws of sufficient size, for safe operation.

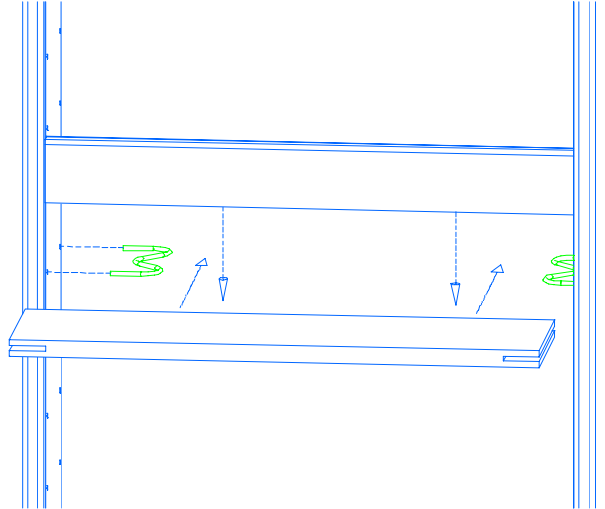
STEP C: If unable to mount using the mounting rail, use the angle brackets and #6 x 1/2 inch Truss Head Wood Screws provided.

STEP D: Install shelves and shelf fronts (see Section III)

National Products at

cabinetsource.com
powered by [kitchensource.com](http://www.kitchensource.com)

III. INSTALLATION OF SHELVES AND SHELF FRONTS

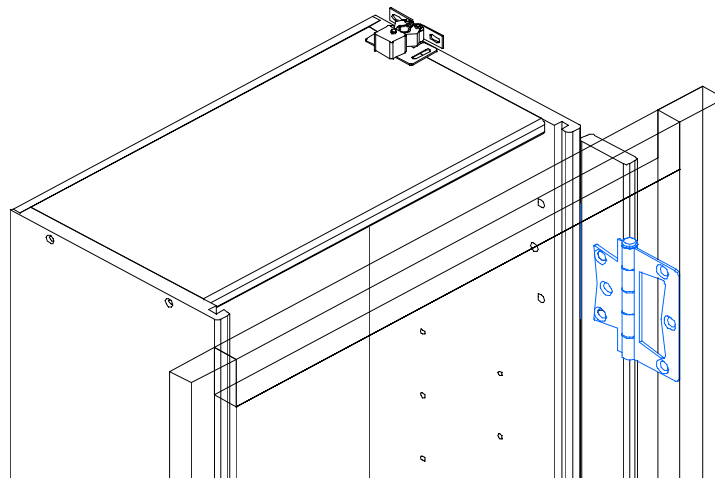


STEP A: Install shelf supports in end panels at desired height.

STEP B: Install shelf on lowest set of shelf supports, then drop in shelf front from the top until it stops on installed shelf (Dado should go toward shelf).

STEP C: Continue with shelves and shelf fronts, working from the bottom to the top.

IV. INSTALLATION OF CATCH AND STRIKE.



STEP A: Install catch on top back corner of Swing-out unit with #6 x 1/2" pan head screws.

STEP B: Install strike on sidewall of cabinet with #6 x 1/2" pan head screws.