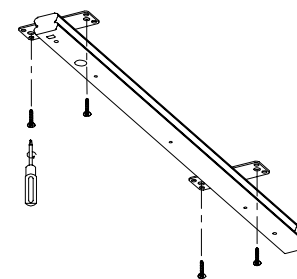
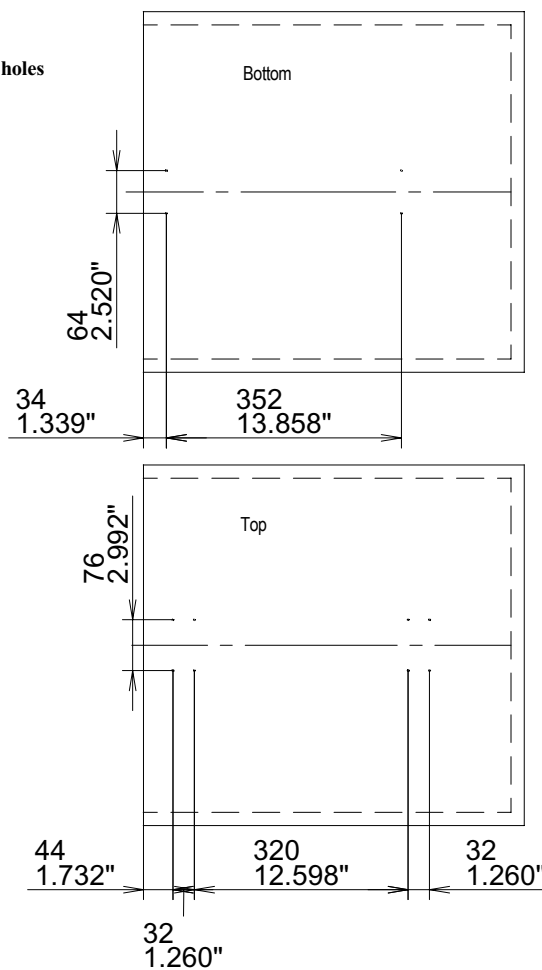
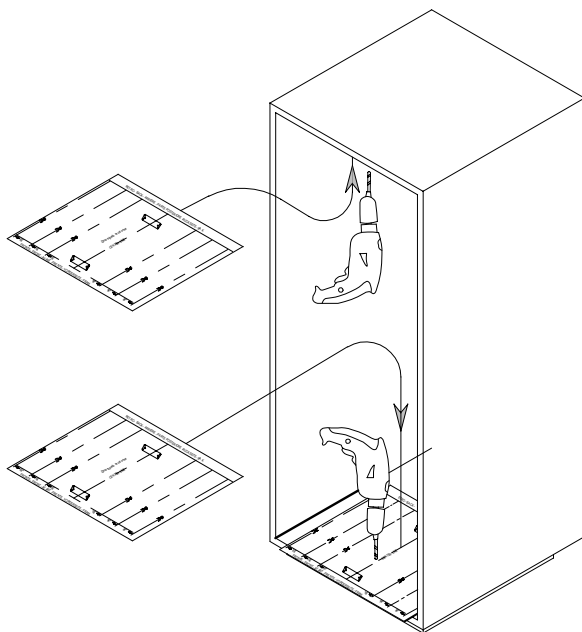




Call 1-800-667-8721 anywhere in the US and Canada - www.cabinetsource.com

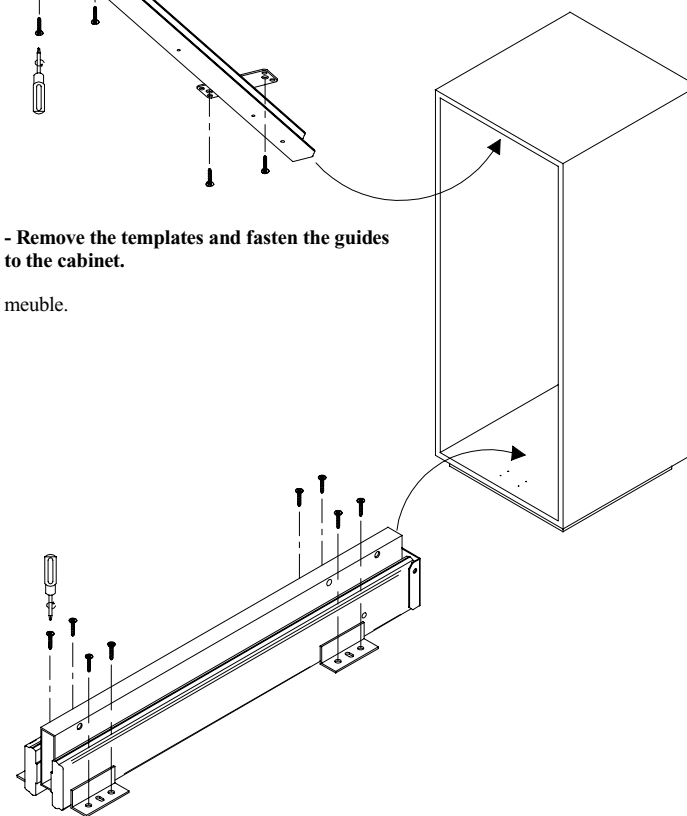
cabinet :: accessories
UNLIMITED
Assembling Pull-Out column

- Position the top and bottom template inside the cabinet then drill the holes as indicated.



- Remove the templates and fasten the guides to the cabinet.

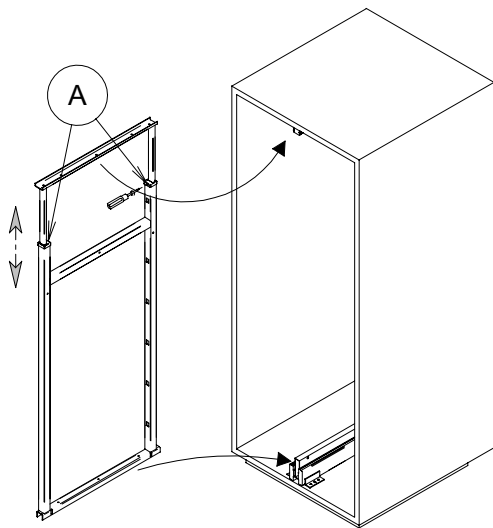
meuble.



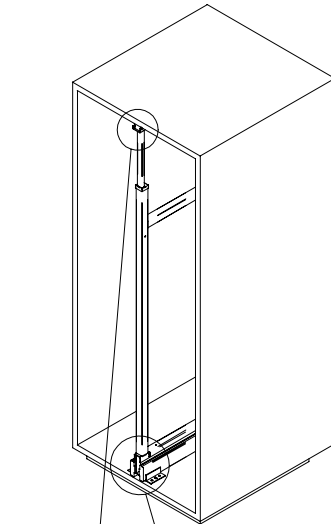


Call 1-800-667-8721 anywhere in the US and Canada - www.cabinetsource.com

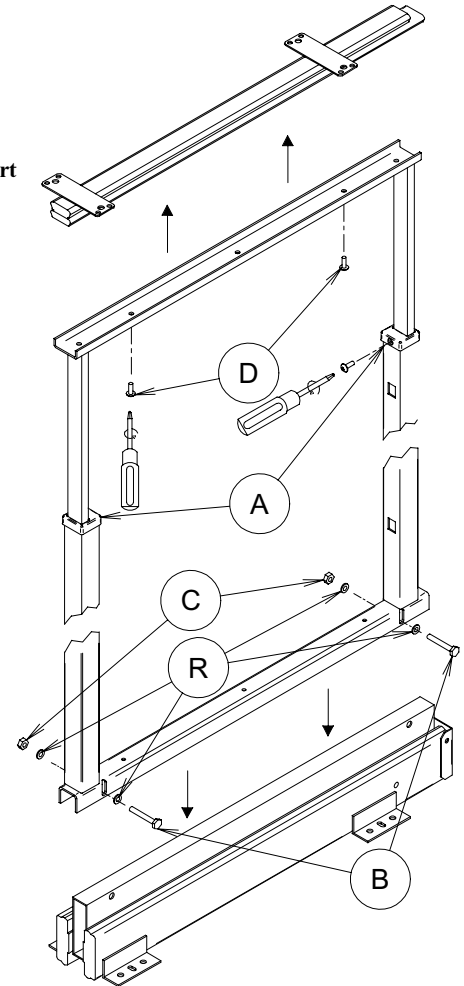
cabinet :: accessories
U N L I M I T E D



- Loosen the screws "A", insert the column inside the cabinet and position it on the slide guides det. "A" and "B".



- At this point insert the through screws "B" and fasten them with the nuts "C" at the bottom of the column (insert the washers "R" between them).
Secure the top of the column using screws "D".
Secure the extending part by using screws "A".

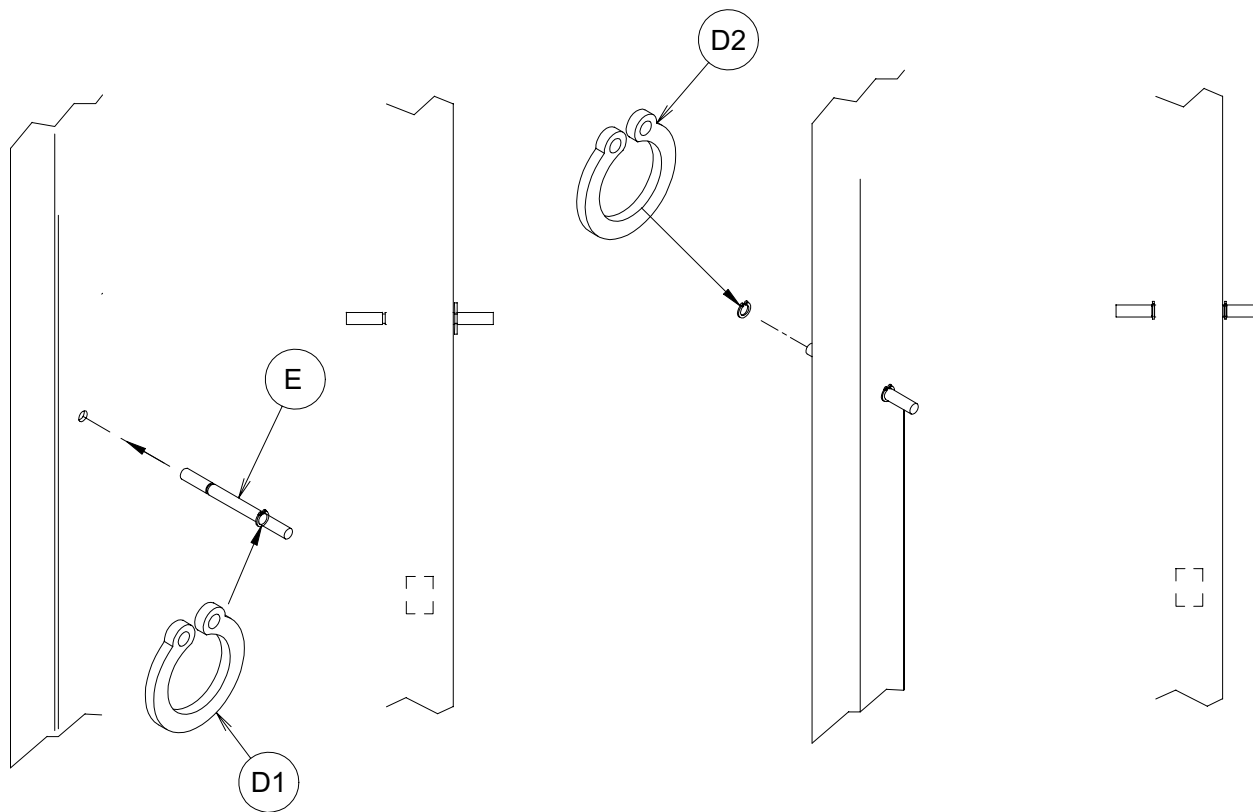


kv at **cabinet :: accessories**
U N L I M I T E D



Call 1-800-667-8721 anywhere in the US and Canada - www.cabinetsource.com

cabinet :: accessories
U N L I M I T E D



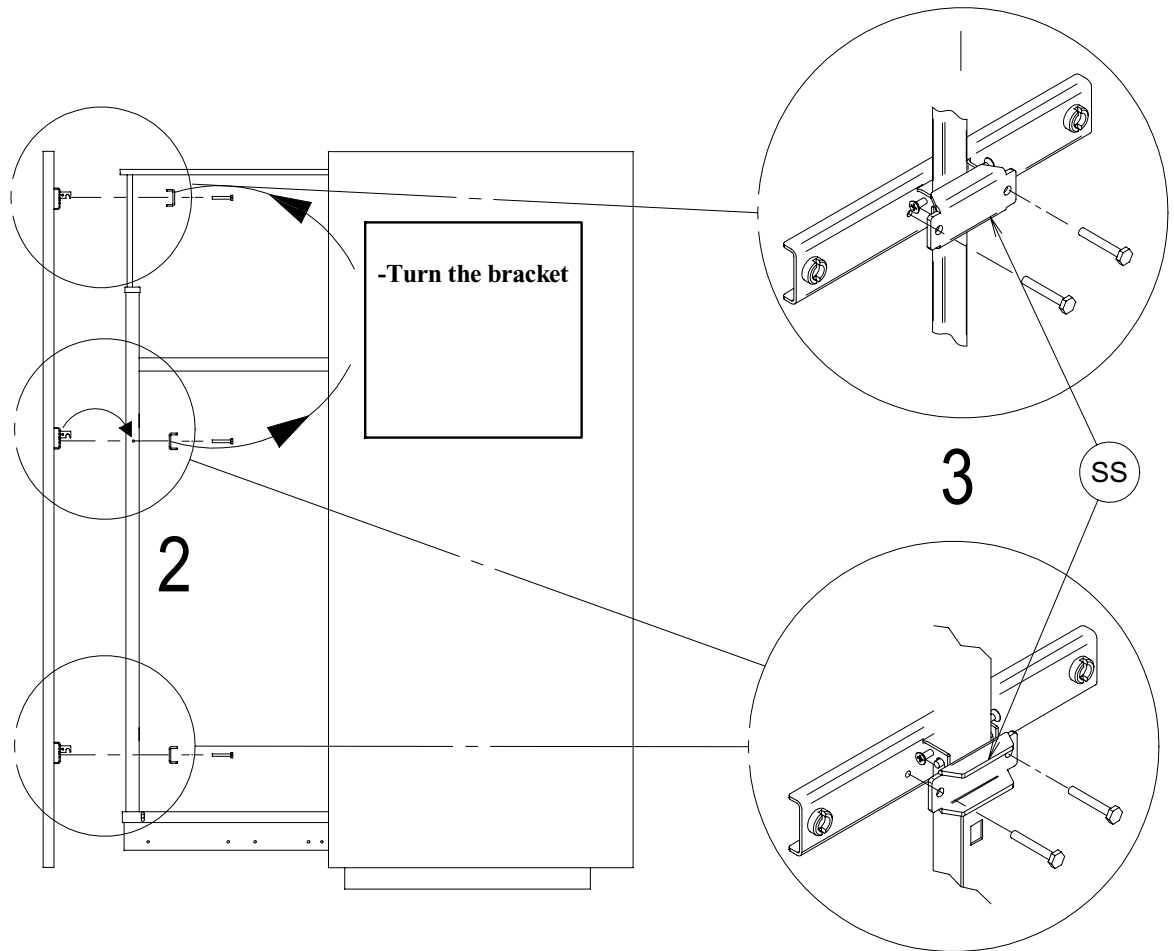
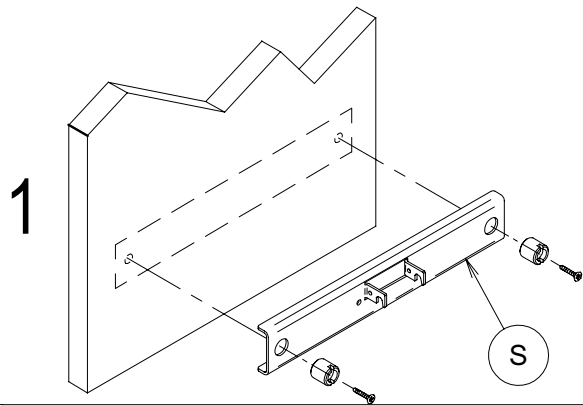
Door mount instruction (optional)
1 Insert the snap ring "D1" on the shaft "E"
2 Insert the shaft "E" in the hole on the column upright and insert the snap ring "D2".



Call 1-800-667-8721 anywhere in the US and Canada - www.cabinetsource.com

cabinet :: accessories
U N L I M I T E D

1 Fasten the door brackets "S" to the door-2 Mount the door on the column by securing it to the shaft "E" (already mounted) -3 Fasten the door with the brackets "SS" and the screws to the column.



kv at **cabinet :: accessories**
U N L I M I T E D



Call 1-800-667-8721 anywhere in the US and Canada - www.cabinetsource.com

cabinet :: accessories
U N L I M I T E D

