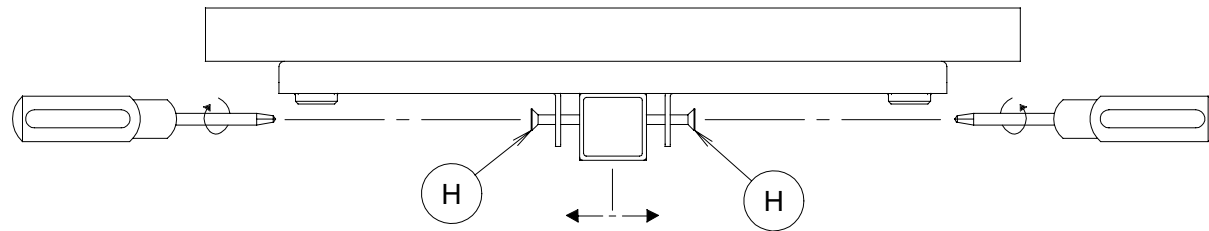




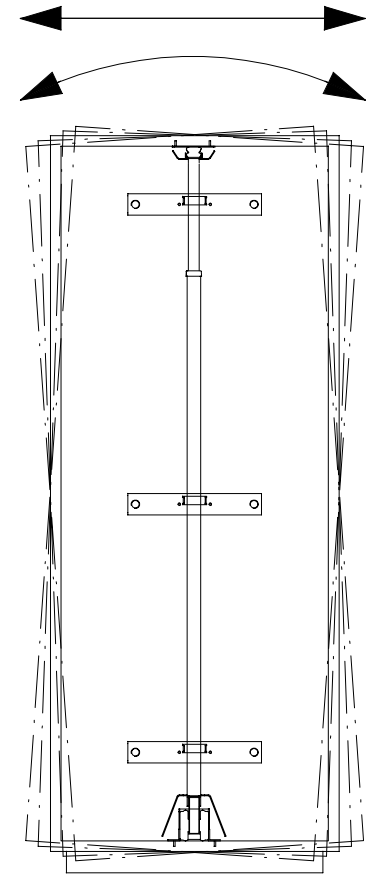
Call 1-800-667-8721 anywhere in the US and Canada - [www.cabinetsource.com](http://www.cabinetsource.com)

**cabinet :: accessories**  
U N L I M I T E D

### Assembling Pull-Out column



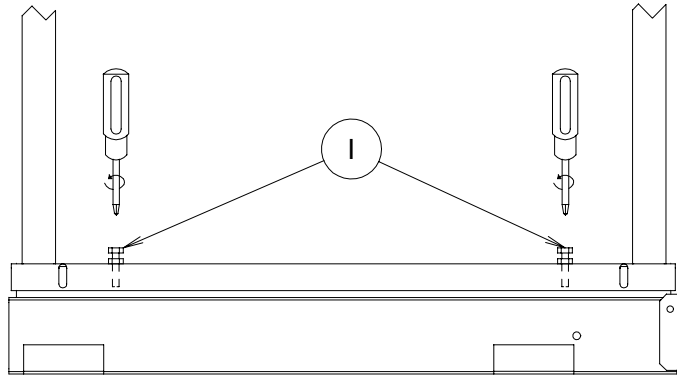
- By using screws "H" the door can be rotated or moved sideways in order to position it correctly.



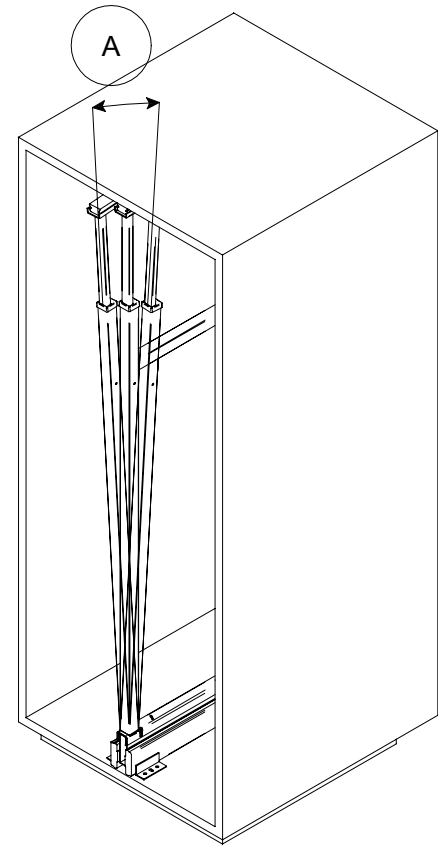


Call 1-800-667-8721 anywhere in the US and Canada - [www.cabinetsource.com](http://www.cabinetsource.com)

**cabinet :: accessories**  
U N L I M I T E D



- Using the screws "I" to rotate the entire column forward or back by an angle "A" .



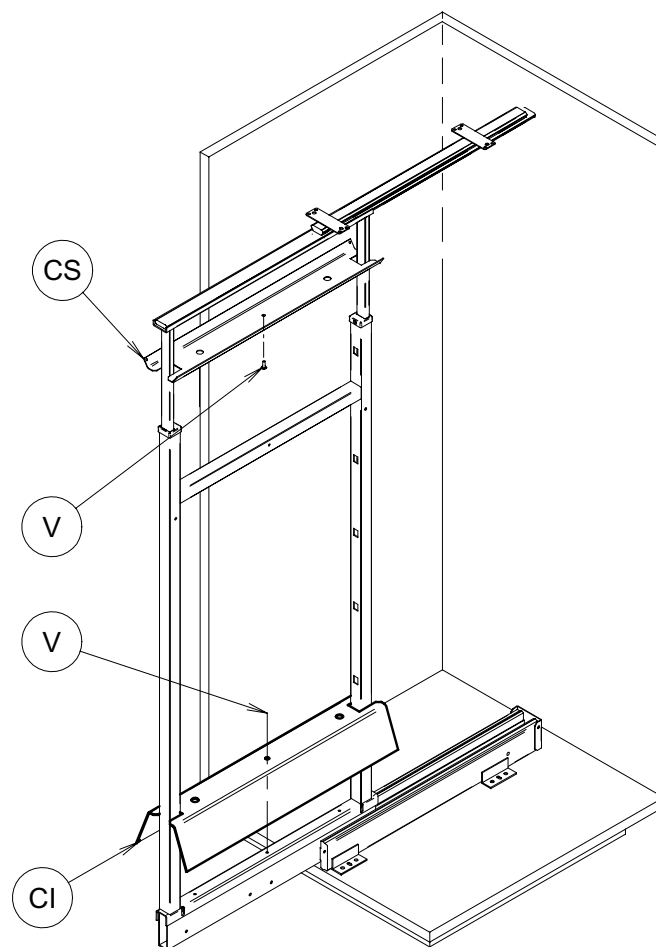
kv at **cabinet :: accessories**  
U N L I M I T E D



Call 1-800-667-8721 anywhere in the US and Canada - [www.cabinetsource.com](http://www.cabinetsource.com)

**cabinet :: accessories**  
U N L I M I T E D

**- Position the top cover "CS" and bottom cover "CI" then fasten them with the screws "V".**

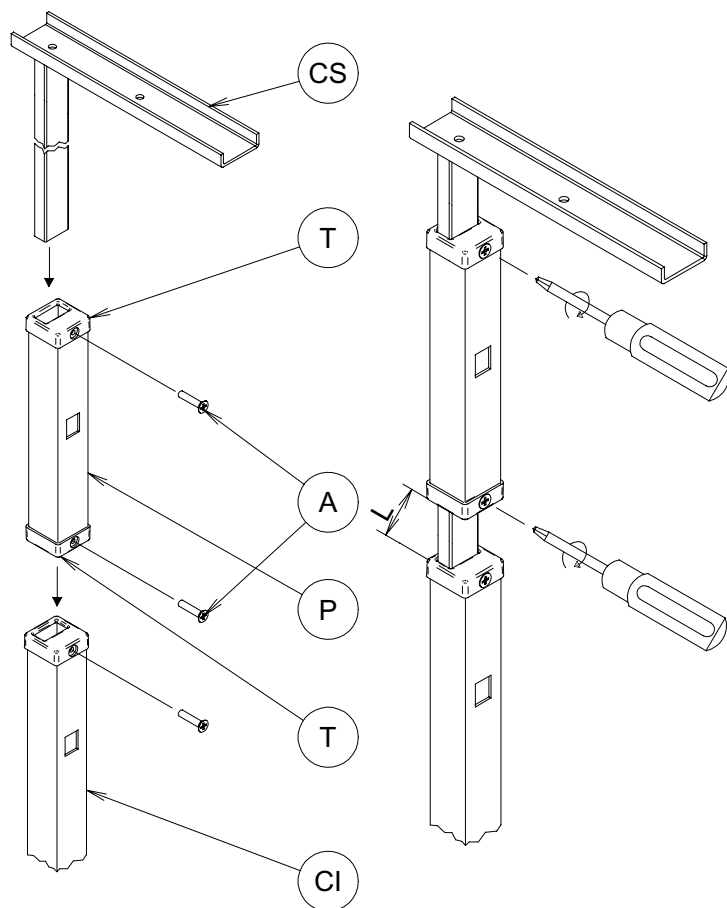


kv at **cabinet :: accessories**  
U N L I M I T E D



Call 1-800-667-8721 anywhere in the US and Canada - [www.cabinetsource.com](http://www.cabinetsource.com)

**cabinet :: accessories**  
U N L I M I T E D



**-1 Insert the caps "T" on the extension "P" and partially tighten the screws "A" -2 Insert the extension "P" on the top of the column "CS" - 3 At this point insert the assembly on the bottom column "C" - 4 Once the extension "P" has been positioned at the desired distance "L" tighten the screws "A".**