



ALWAYS read the installation instructions before installing this product.

NEVER exceed the weight capacity of 419lbs (190 kg)



ALWAYS read the end user care instructions.



ALWAYS match the correct width of bathboard to the bathtub.

ALWAYS have the bathboard installed by a trained and experienced skilled craftsman.



NEVER use the bathboard without the clamps firmly in position and tight against the bathtub.

NEVER stand on the bathboard

NEVER exceed 1" (25mm) overhang.

Failure to follow these warnings may reduce the strength of the bath board and will invalidate any warranty or stated load rating.



BEWARE A child finger/ toe trap may be present during the handling or use of this product.

ALWAYS keep fingers clear of the gaps between the slats, the clamp brackets and the bathtub side walls below the bathboard



DO NOT place matches or cigarettes on or near this product.

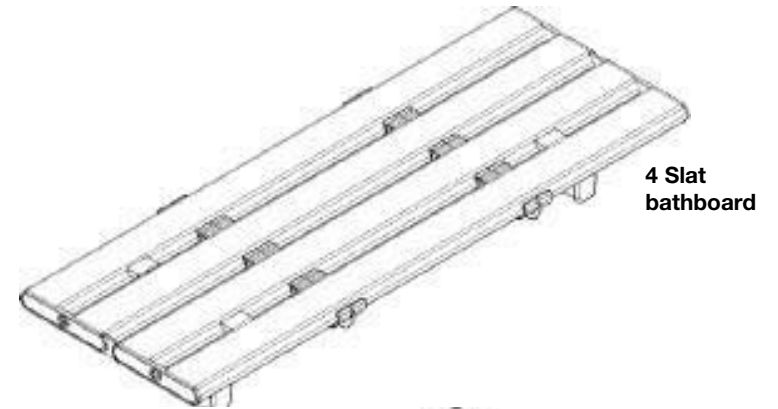
The following plastic materials are used in this product: (PP), (PVC-U) and Thermoplastic Rubber (TPR)

The measurements throughout these installation and user care instructions have been converted from metric to its equivalent in "English Units", therefore all dimensions are approximate and subject to manufacturing tolerances. AKW MediCare does not make any warranty, expressed or implied, or accept any liability in connection with this information or its use. This information is furnished upon the condition that the person receiving it shall make his/her own tests to determine the suitability thereof for his/her particular purpose.



AKW MediCare ^{US}

Tromode Bathboard Installation and user care instructions



4 Slat bathboard



6 Slat bathboard

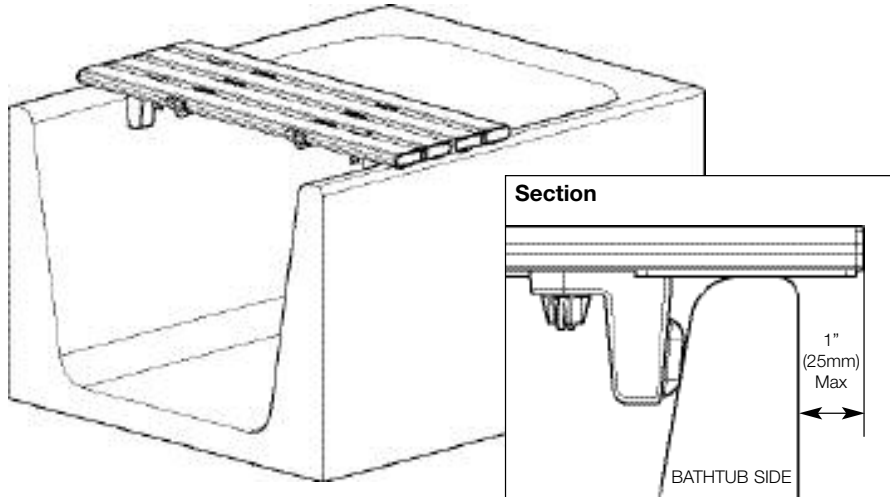
Color: White to RAL 9016/
High Contrast Blue to RAL 5005

Patent Applied For

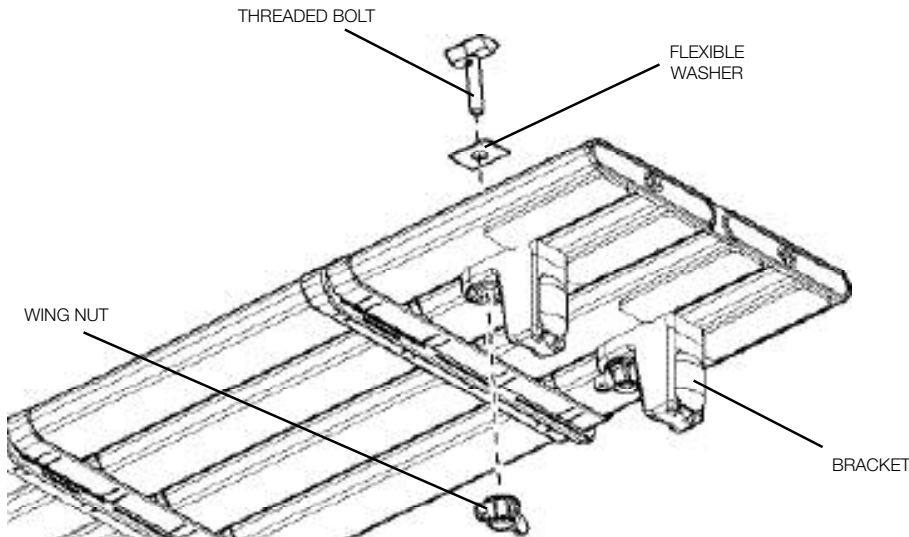
Internal Building use only

Installation Instructions

Before installation check the width of the bathboard against the width of the bathtub. When in position a maximum overhang of approximately 1" (25mm) may exist. The Tromode Bathboard is designed for low maintenance and reliable operation.



To assemble, slide the brackets to the required positions. Insert the threaded bolts through the bathboard slats from the top and through the holes in the brackets. Screw on the wing nuts, place bathboard on bathtub and finally slide the brackets to the required positions firmly against the bathtub and then tighten the wing nuts.



User Care Instructions

AKW Tromode bathboards are designed for general domestic use as an aid to the bathing of a person in a normal dwelling place. They are intended to assist comfort and ease when bathing or washing.

The Tromode bathboard must only be used for the tasks it is intended to perform.

Do not stand on it or misuse it. This may have serious detrimental affects on its performance and safety.

AKW bathboards should be checked as part of a planned maintenance programme, retightening the wing nuts as required and any bathboards showing evidence of damage or misuse must be replaced.

Children and other users may require supervision when using this product.

Keeping your AKW Tromode Bathboard clean

This product should be cleaned periodically to remove any accumulation of hair or other detritus, using normal domestic bathroom cleaning materials.

To remove and clean the bathboard, first loosen the wing nuts and slide the clamp brackets on one end only, back towards the middle of the bath board, then lift the assembly up vertically by gripping the sides of the bathboard.

To separate the clamp bracket from the bathboard completely simply unscrew the wing nuts completely, withdraw the threaded bolt and remove the clamp. Reinstall to the instructions opposite.

Disinfecting

Where disinfecting is necessary, standard established procedures for disinfecting equipment should be used with due care and attention taken of the warnings below concerning possible affects of aggressive chemicals on plastics.

After cleaning always flush down with water then wipe thoroughly with a damp cloth to remove any cleaning material residues before drying off.

Do not use strong or concentrated acidic, alkaline or other cleaning materials as these may discolor or otherwise damage the product.

AKW MediCare do not approve or recommend autoclave cleaning due to the damage this can cause to the special engineering plastics used in the construction of this product.

Packaging

The Tromode bathboard is supplied shrink wrapped in polythylene terephthalate (PET) to keep the product unsoiled until installation; it may also be bulk-packed in a cardboard box.

Both are suitable for recycling operations and should be disposed of in accordance with local recycling regulations.