



ALWAYS read the installation instructions before installing this product. Read in conjunction with AKW Tromode bathboard instructions

NEVER exceed the weight capacity of 419lbs (190 kg).



ALWAYS read the end user care instructions.



ALWAYS match the correct handle to the AKW bathboard.

ALWAYS have the bathboard installed by a trained and experienced skilled craftsman.



NEVER use the bathboard without the clamps firmly in position and tight against the bathtub.

NEVER stand on the bathboard

NEVER exceed 1" (25mm) overhang.

Failure to follow these warnings may reduce the strength of the bathboard and will invalidate any warranty or stated weight capacity.



BEWARE a child finger / toe trap may be present during the handling or use of this product.

ALWAYS keep fingers clear of the gaps between the slats, the clamp brackets and the bathtub side walls below the bathboard



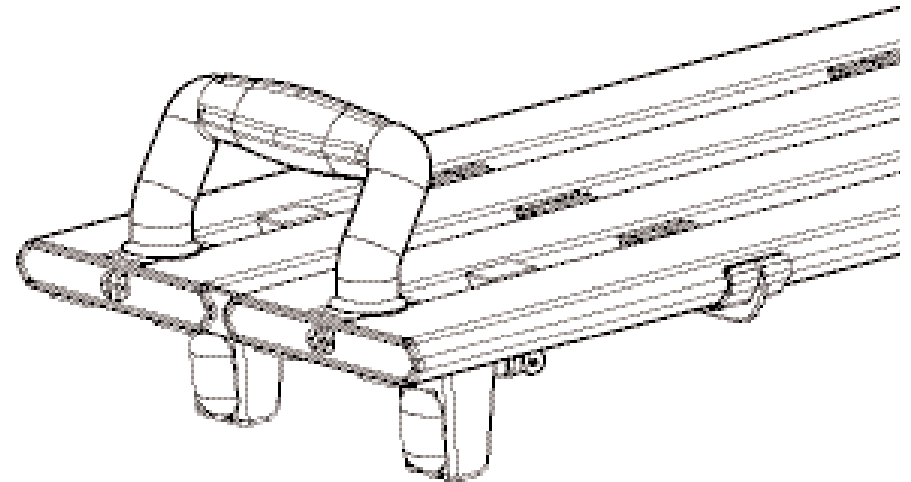
DO NOT place matches or cigarettes on or near this product.

The following plastic materials are used in this product: (PP), (PVC-U) and Thermoplastic Rubber (TPR)



AKW MediCare ^{US}

Handle Assembly for Tromode Bathboard Installation and user care instructions



The measurements throughout these installation and user care instructions have been converted from metric to its equivalent in "English Units", therefore all dimensions are approximate and subject to manufacturing tolerances. AKW MediCare does not make any warranty, expressed or implied, or accept any liability in connection with this information or its use. This information is furnished upon the condition that the person receiving it shall make his/her own tests to determine the suitability thereof for his/her particular purpose.

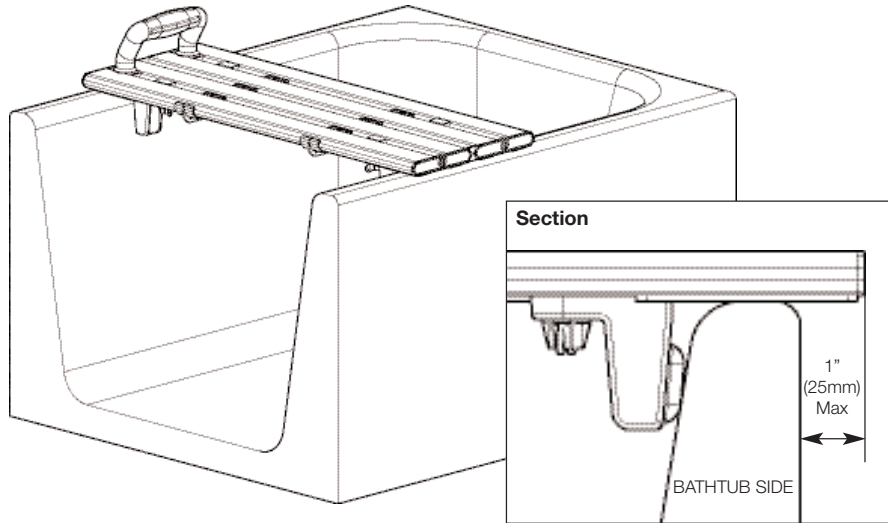
Color: White to RAL 9016/
High Contrast Blue to RAL 5005

Patent Applied For

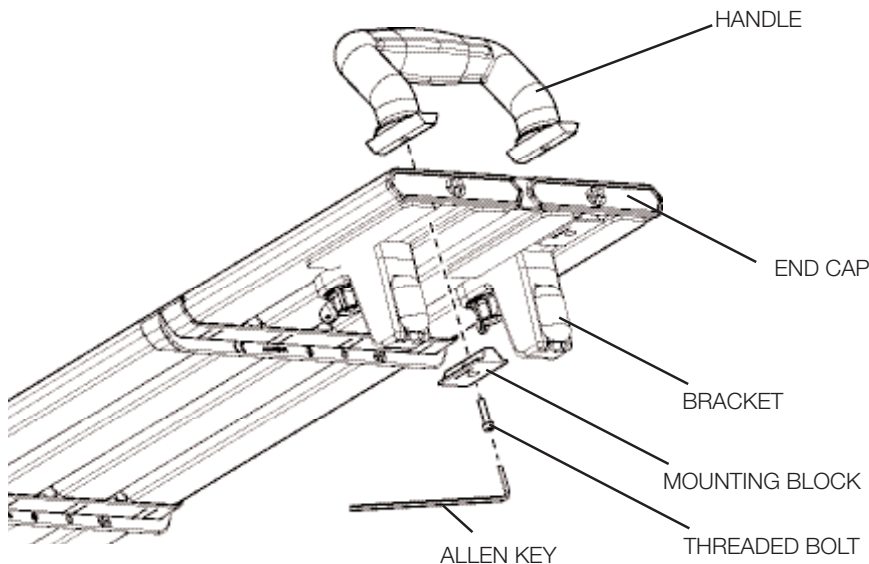
Internal Building use only

Installation Instructions

This handle must only be installed on an AKW Tromode bathboard.



To assemble, first remove the bathboard from the bathtub by sliding two brackets from one side towards the middle of the bathboard. Position the handle tight up against the end cap. Insert the threaded bolts through the mounting block and align with holes in handle. Tighten the screws using the allen key provided. Replace bathboard on the bathtub and to reposition the brackets follow the instructions in the Tromode bathboard installation and user care instructions.



User Care Instructions

AKW bathboard handles are designed for general domestic use as an aid to the bathing of a person in a normal dwelling place. They are intended to assist comfort and ease when bathing or washing.

The bathboard must only be used for the tasks it is intended to perform. Do not stand on it or misuse it. This may have serious detrimental effects on its performance and safety.

The bathboard handle should be checked as part of a planned maintenance program, retightening the wing nuts as required. Any bathboards showing evidence of damage or misuse must be replaced.

Children and other users may require supervision when using this product.

Keeping your AKW Tromode Bathboard Handle clean

This product should be cleaned periodically to remove any accumulation of hair or other detritus, using normal domestic bathroom cleaning materials.

Disinfecting

Where disinfecting is necessary, standard established procedures for disinfecting equipment should be used with due care and attention taken of the warnings below concerning possible affects of aggressive chemicals on plastics.

After cleaning always flush down with water then wipe thoroughly with a damp cloth to remove any cleaning material residues before drying off.

Do not use strong or concentrated acidic, alkaline or other cleaning materials as these may discolor or otherwise damage the product.

AKW MediCare do not approve or recommend autoclave cleaning due to the damage this can cause to the special engineering plastics used in the construction of this product.

Packaging

This Tromode bathboard handle is supplied in a polypropylene (PP) bag to keep the product unsoiled until installation; it may also be bulk-packed in a cardboard box. Both are suitable for recycling operations and should be disposed of in accordance with local recycling regulations.