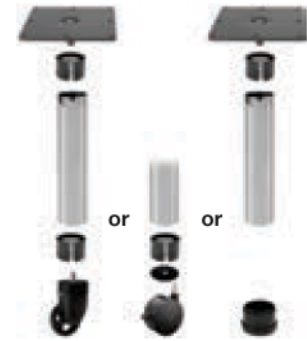
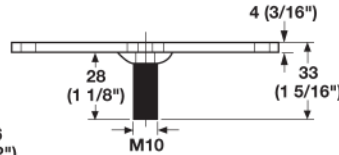
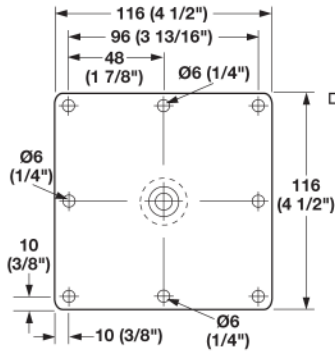
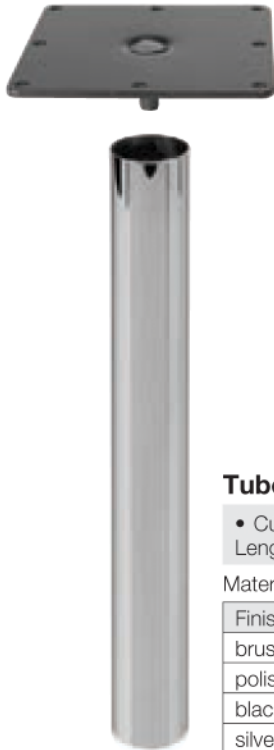


## Ø60 mm Component System

- A flexible leg system offering "do it yourself" customization
- Ø60 mm tubes can be cut to length, and various accessories are available



### Tube Ø60 mm

- Cut to size
- Length: 1425 mm (56")

Material: Steel, plated or epoxy-coated

Finish/Color	Item No.
brushed steel	635.20.066
polished chrome	635.20.266
black textured	635.20.368
silver aluminum RAL 9006	635.20.966

### Mounting Plate

- Screw mounted
- With M10 stud

Material: Steel, epoxy-coated

Color	Item No.
black	635.06.013

### Set Supplied With

4 mounting plates  
Mounting screws #9 x 1"

### Height Adjuster

- Offers 4 3/8" of adjustment
- Press-fit into bottom of Ø60 mm tube
- Completely screwed down (compressed) height is 1 3/8"; Fully extended height is 5 3/4"

Material: Plastic

Color	Item No.
black	654.35.310

### Supplied With

Black sleeve to cover adjustment mechanism

### Thread Insert M10

- For mounting plate and caster attachment, presses into top or bottom of tube

Material: Steel, zinc-plated, Plastic

Color	Item No.
black	635.06.026

### Note

Caster selected must have a threaded stem at least 7/8" long.

### Leveler Ø60 mm

- Press-fit
- Offers + 1" of adjustment
- When completely screwed down compressed height is 5/8"

Material: Plastic

Color	Item No.
black	635.06.008

### Set Supplied With

4 Levelers

### Washer Ø60 mm

- For bottom of legs when used with casters (see above)
- M10 male threads required

Material: Steel

Color	Item No.
black	635.16.399

