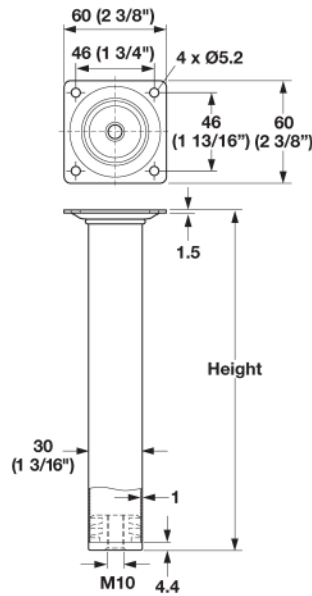


- For light duty applications
- Heights listed are without levelers (order separately)
- Tube thickness: 1 mm (.039")
- Static load rating approximately: 30 kg (66 lbs.) per leg



### Mini Leg

- With M10 threaded plastic insert Ø30 mm (1 3/16")

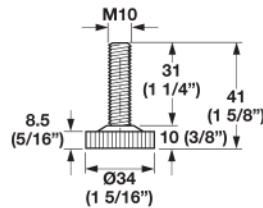
Material: Steel, epoxy-coated or polished  
Insert: Plastic; Color: black

Height	Black Semi-gloss	Polished Chrome
100 (4")	635.48.310	635.48.210
150 (6")	635.48.315	635.48.215
200 (7 7/8")	635.48.320	635.48.220
500 (19 3/4")	635.48.350	635.48.250

**Set Supplied With**  
4 legs

**6**

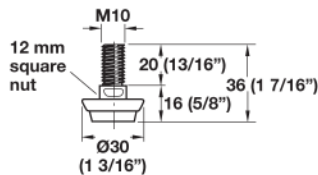
### Leveler Options



### Base Leveler - M10

Material: Thread: Steel; Finish: zinc-plated  
Base: Nylon; Color: black

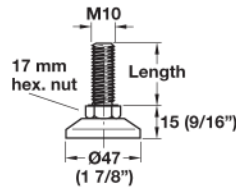
Item No.
651.01.330



### Base Leveler - M10

Material: Thread: Steel; Finish: zinc-plated  
Base: Rubber; Color: black

Item No.
651.02.909



### Base Leveler - M10

- With fixed foot

Material: Thread: Steel; Finish: zinc-plated  
Foot: Plastic; Color: black

Length	Item No.
30 (1 3/16")	651.01.304
50 (1 15/16")	651.01.500

Dimensions in mm  
Inches are approximate

FC **6.44**