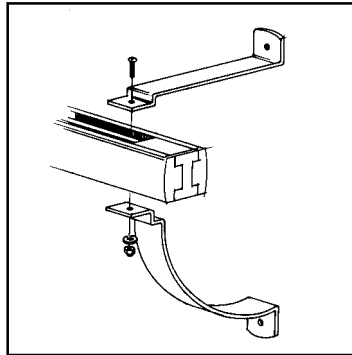


Wall Mounted Pot Rack Installation and Care Instructions

PRW-01

Included in the pack is:

- 1 Pot rack bar
- 1 Slatted shelf
- 2 Curved metal wall brackets
- 2 Straight metal wall brackets
- 2 Pan head metal bolts
- 2 Lock washers
- 2 Acorn nuts
- 6 Pot hooks
- 4 Wood screws



Installation of your J. K. Adams pot rack is not difficult. Two people will make hanging the rack a simple project.

The screws *must* be securely installed into solid wood. Sheet-rock fasteners will not hold enough weight and should not be used

1. Find the wooden members in your walls. Usually they are 16" apart.
2. The curved metal wall brackets may be installed so that they support the rack from the bottom or the top. Determine which way you want the brackets to hang.
3. Attach one straight and one curved bracket to each end of the pot rack using a pan head metal bolt, lock washer and acorn nut. Refer to the illustration. The brackets should fit snugly inside the pot rack end blocks which will place the mounting points 32" on center.
4. Carefully measure and mark the wall where the rack will be mounted.
5. Screw the straight brackets into the wall.
6. Adjust the curved brackets to bring the rack level and screw them into the wall.
7. Position the slatted shelf behind the wooden rail with the flat side up.
8. Drop the cast pot hooks between the wooden rails. Pot hooks can be turned so pans nest together or so pan bottoms face outward, as you prefer.



J.K. Adams Co.