



INSTALLATION INSTRUCTIONS
READ & SAVE THESE INSTRUCTIONS!

Decorative extractor hood

Model: Cantabria

IMPORTANT SAFETY INSTRUCTIONS:

WARNING – TO REDUCE THE RISK OF FIRE, ELECTRIC SHOCK OR INJURY TO PERSONS, OBSERVE THE FOLLOWING:

- a) Do not use this fan with any solid state speed control device.
- b) Use this unit only in the manner intended by the manufacturer. If you have questions, contact the manufacturer.
- c) Before servicing or cleaning unit, switch power off at service panel and lock service panel to prevent power from being switched on accidentally. When the service disconnecting means cannot be locked, securely fasten a prominent warning device, such as a tag to the service panel.

CAUTION: For general ventilating use only. Do not use to exhaust hazardous or explosive materials and vapors.

WARNING – TO REDUCE THE RISK OF A RANGE TOP GREASE FIRE:

- a) Never leave surfaces unattended at high settings. Boilovers cause smoking and greasy spillovers that may ignite. Heat oils slowly on low or medium settings.
- b) Always turn hood ON when cooking at high heat or when cooking flaming foods.
- c) Clean ventilating fans frequently. Grease should not be allowed to accumulate on fan or filter.
- d) Use proper pan size. Always use cookware appropriate for the size of the surface element.

WARNING – TO REDUCE THE RISK OF INJURY TO PERSONS IN THE EVENT OF A RANGE TOP GREASE FIRE, OBSERVE THE FOLLOWING:

- a) SMOTHER FLAMES with a close-fitting lid, cookie sheet, or metal tray, then turn off the burner. BE CAREFUL TO PREVENT BURNS. If the flames do not go out immediately, EVACUATE AND CALL THE FIRE DEPARTMENT.
- b) NEVER PICK UP A FLAMING PAN – you may be burned.
- c) DO NOT USE WATER, including wet dishclothes or towels – a violent steam explosion will result.
- d) Use an extinguisher ONLY if:
 1. You know you have a Class ABC extinguisher, and you already know how to operate it.
 2. The fire is small and contained in the area where it started.
 3. The Fire Department is being called.
 4. You can fight the fire with your back to an exit.

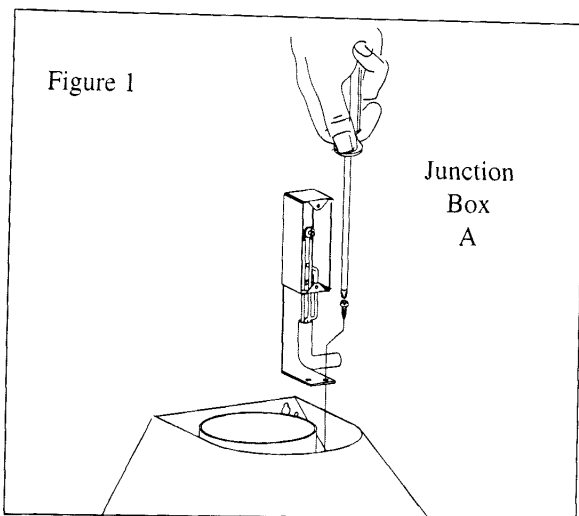
INSTALLATION INSTRUCTIONS:

WARNING – TO REDUCE THE RISK OF FIRE, ELECTRIC SHOCK OR INJURY TO PERSONS, OBSERVE THE FOLLOWING:

- a) Installation Work And Electrical Wiring Must Be Done By Qualified Person(s) In Accordance With All Applicable Codes And Standards, Including Fire-Rated Construction.
- b) Sufficient air is needed for proper combustion and exhausting of gases through the flue (chimney) of fuel burning equipment to prevent back drafting. Follow the heating equipment manufacturer's guideline and safety standards such as those published by the National Fire Protection Association (NFPA), and the American Society for Heating, Refrigeration and Air Conditioning Engineers (ASHRAE), and local code authorities.
- c) When Cutting Or Drilling Into Wall Or Ceiling, Do Not Damage Electrical Wiring Or Other Hidden Utilities.
- d) Ducted Fans Must Always Be Vented To The Outdoors.
- e) Use only metal ductwork.

WALL MOUNTING

- Connect the plastic conical outlet piece supplied with the hood (4,5 inches diameter) to an exhaust pipe connected directly to the outside. (Fig. 1)
- Screw on the connection box following Fig. 1 with the two 1/8" x 11/16" screws supplied in the box of accessories
- The accessories needed to install the hood are inside the hood.
- Place the attached template in the location where the hood is to be mounted and attach with adhesive tape.
- Drill holes in the wall using a 1/4" drill bit.
- The plugs and screws need to hang the hood are contained in the bag of accessories supplied with the hood.
- This fan shall be mounted a minimum of 18 inches above the heat source.



ELECTRICAL CONNECTION

Important: Be certain all wiring complies with local codes and the unit is properly grounded.

1. Run three wires, two for the power supply and the ground wire, from the connection box on the canopy to a power connection point near the installation. See Fig. 1A.
2. Using connectors for officially approved wiring, connect the power conductors to the conductors for the fan: black to black and white to white. Connect the grounding wire (green or bare) to the mass conductor of the fan distribution box. See Fig. 2.

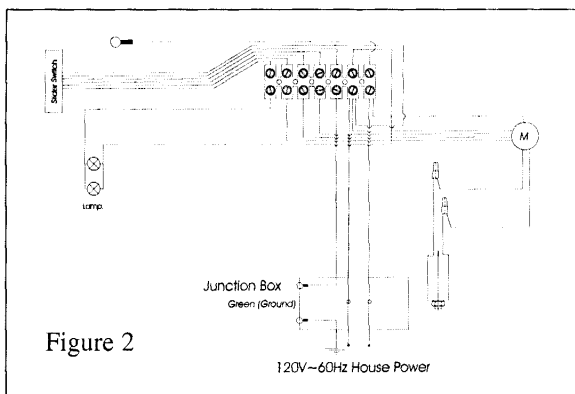


Figure 2

MAINTENANCE

- a) **Cleaning:** Disconnect the power before cleaning or servicing. Clean the external part with a mild, liquid detergent and avoid the use of abrasive cleaning products.
- b) **Changing the grease filter.** Before changing the light make sure that the hood is disconnected. Remove the grease filter (Fig. 3) and (fig. 4) and replace the light with a candelabra light bulb of no more than 40W. Replace the filter in position.

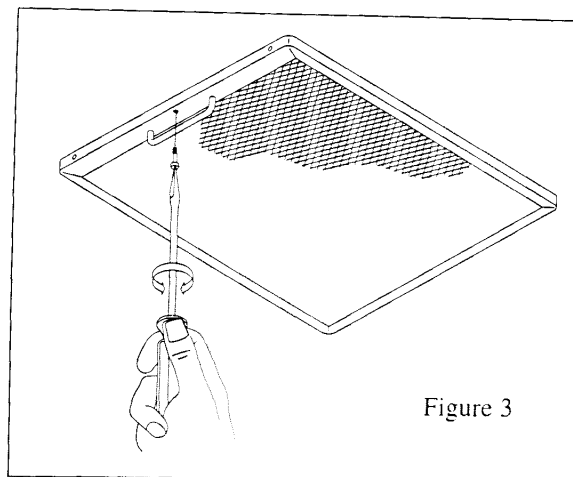


Figure 3

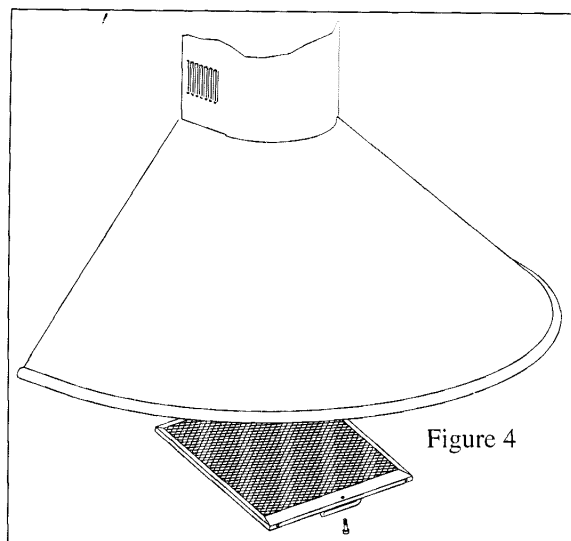


Figure 4

- c) **Cleaning the grease filter:** Depending on use, and at least once a month, the grease filters should be disassembled (Fig. 3) and (fig. 4) and cleaned in a dishwasher or with hot soapy water. If washed in a dishwasher they should be placed in an upright position to prevent food remains from falling on them. After rinsing and drying, replace the filters by following the steps for disassembly in reverse order.

THE MANUFACTURER DECLINES ALL LIABILITY IN CASES WHERE THE INSTRUCTIONS FOR THE APPROPRIATE INSTALLATION, MAINTENANCE AND USE OF THE EXTRACTOR HOOD ARE NOT OBSERVED.