



at
bathroomsource.com

SERIES RE INSTALLATION & MAINTENANCE INSTRUCTIONS

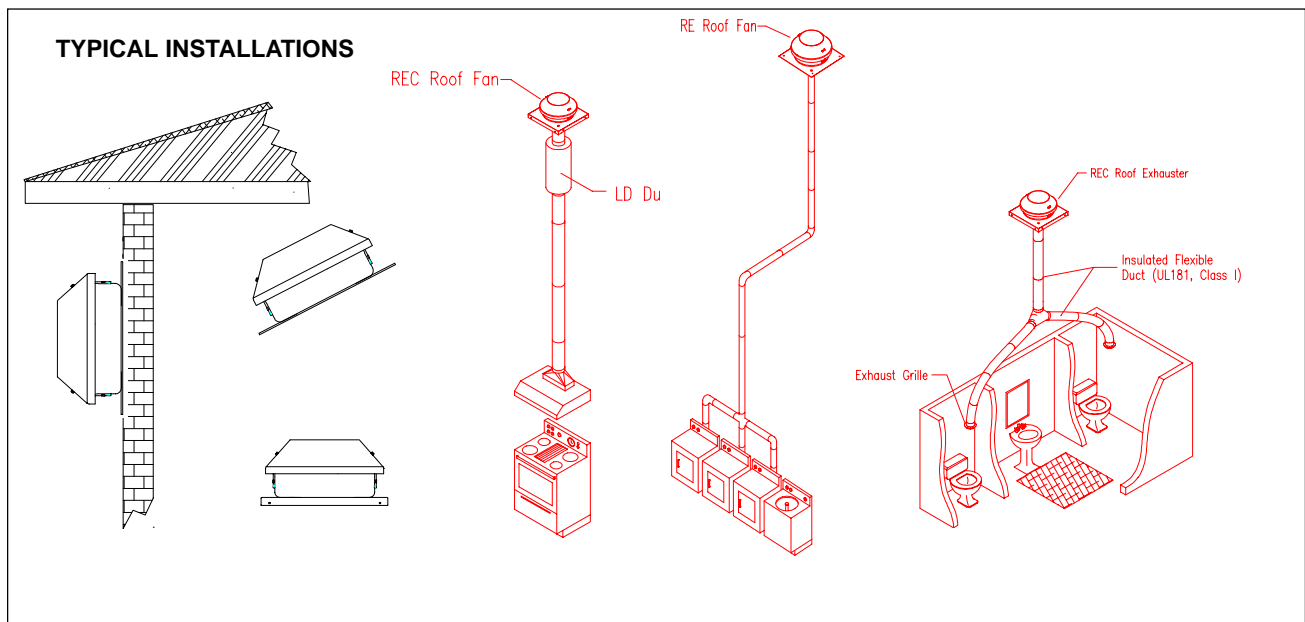
Read and Save These Instructions !

DO NOT CONNECT POWER SUPPLY until fan is completely installed. Make sure electrical service to the fan is locked in "OFF" position.

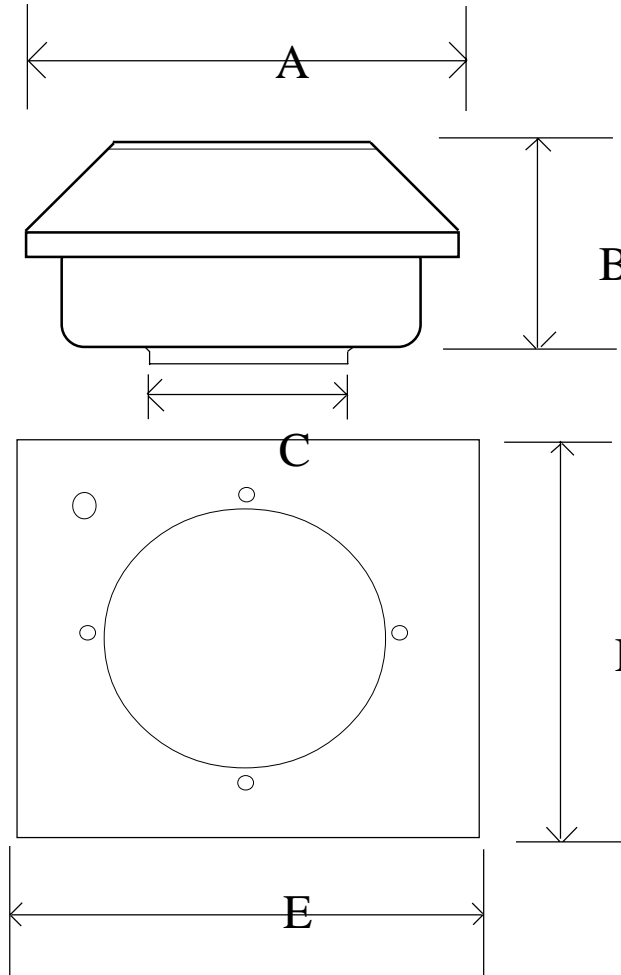
1. All units are suitable for use with solid-state speed control.
2. **WARNING! TO REDUCE THE RISK OF FIRE, ELECTRIC SHOCK, OR INJURY TO PERSONS--OBSERVE THE FOLLOWING:**
 - a. Use this unit only in the manner intended by the manufacturer. If you have any questions, contact your manufacturers representative.
 - b. **CAUTION:** Before installation, servicing or cleaning unit, switch power off at service panel and lock the service disconnecting means to prevent power from being switched on accidentally. When the service disconnecting means cannot be locked, securely fasten a prominent warning device, such as a tag, to the service panel.
 - c. Installation work and electrical wiring must be done by qualified person(s) in accordance with all applicable codes and standards, including fire-rated construction.
 - d. Sufficient air is needed for proper combustion and exhausting of gases through the flue (chimney) of fuel burning equipment to prevent back drafting. Follow the heating equipment manufacturer's guideline and safety standards such as those published by the National Fire Association (NFPA), and the American Society for Heating Refrigeration and Air Conditioning Engineers (ASHRAE), and the local code authorities.
 - e. When cutting or drilling into wall and ceiling, do not damage electrical wiring and other hidden utilities.
 - f. Ducted fans must always be vented to the outdoors.
 - g. If this unit is to be installed over a tub or shower, it must be marked as appropriate for the application and be connected to a GFCI (Ground Fault Circuit Interrupter) - protected branch circuit.
 - h. NEVER place a switch where it can be reached from a tub or shower.
3. **WARNING!** Check voltage at the fan to see if it corresponds to the motor name plate.

INSTALLATION

1. The compactness and adaptability of Models RE fans permit easy installation. The fans are shipped fully assembled and can be mounted at any angle. For various mounting see figures below.
 2. Because this unit has rotating parts, safety precautions should be exercised during phase of installation, operation and maintenance.
 3. **CAUTION:** "For General Ventilation Use Only. Do Not Use To Exhaust Hazardous Or Explosive Material and Vapors."
 4. Remove unit from package and inspect within 15 days after receipt. If damaged, report damage to carrier. Do Not operate this unit with visible damage to the blower or impeller assembly.
 5. **CAUTION:** "This unit has an unguarded impeller. Do not use in locations readily accessible to people or animals."
- WEAR HAND PROTECTION AND STAY CLEAR OF SHARP EDGES.**
6. Screen guards must be installed when fan will be within reach of personnel, within (7) feet of the working area, or when advisable for safety.
 7. Install intake side of fan facing an unoccupied space.



Dimensions

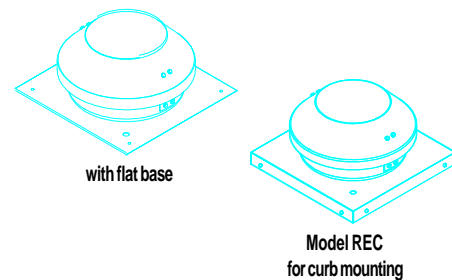


	RE(C) 6	RE(C) 8XL	RE(C) 10XL
A	13.07	15.75	19.76
B	6.50	6.00	11.75
C	6.00	8.00	10.00
D	15.50	20.00	20.00
E	15.50	20.00	20.00

Dimensions in inches

NOTES:

1. Add 1.5 inches to "B" when using curb.
2. All units provided with 7/8" knockout.
3. All units come with conduit and fittings.



SPECIFIC INSTALLATION INSTRUCTIONS

Suitable sealing such as tar or similar material (not included) should be used to prevent leakage. To prepare for installation, determine the size and type of ducting, if any, to be used. Make an opening in the roof just large enough to accommodate ducting and electrical supply.

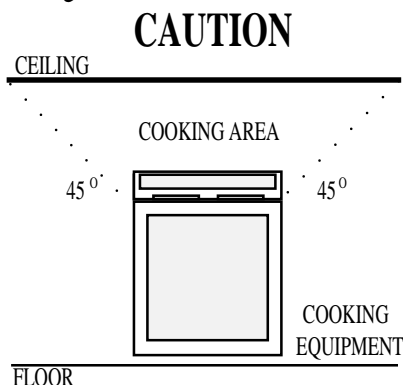
Flat Base Mounting

1. Base may be mounted directly on the deck beneath roof shingles or upper edge of base plate may be slid underneath shingles.
2. Securely screw or bolt base plate to roof through the four corner mounting points.
3. Through the opening, attach ductwork to fan inlet orifice by using Fantech FC clamps or duct tape.
4. Refer to wiring diagram in this guide to complete electrical connections.
5. Once secured and wired, generously apply tar or other sealant around edges of the base to prevent leakage. Be sure to replace any lifted shingles.

Curb Mounting

1. Outside dimensions of flanged curb should be approximately 3/8" smaller than the outside dimension of base. Flanged curbs are available from Fantech.
2. Center curb around roof opening and securely attach to roof. It is advisable to put a bead of sealant around the inside edge of curb.
3. Before mounting base on curb, place a layer of sealant along the top edge of the curb.
4. Place unit on curb and securely attach with bolts or screws.
(Continue installation by following items #3 through #5 in previous instructions for Flat Base.)

For installations in which the fan is connected to a range hood, or if an exhaust grille connected to the fans is located above or near the cooking surface, as shown below, be sure to observe the following safety warnings:



WARNING
TO REDUCE THE RISK OF FIRE, USE ONLY METAL DUCTWORK.
(Use only galvanized steel ductwork.)

Use only galvanized steel ductwork in accordance with all applicable codes.

(Note: If the fan is not connected to a range hood, or a grille in vicinity of the cooking surface, other approved ducting may be used.)

WARNING **WARNING**

TO REDUCE THE RISK OF A RANGE TOP GREASE FIRE:

- A. Never leave surface units unattended at high settings. Boilovers cause smoking and greasy spillovers that may ignite. Heat oils slowly on low or medium settings.
- B. Always turn hood on when cooking at high heat or when cooking flaming foods.
- C. Clean ventilating fans frequently (if accessible). Grease should not be allowed to accumulate on fan or filter.
- D. Use proper pan size. Always use cook ware appropriate for the size of the surface element.

TO REDUCE THE RISK OF INJURY TO PERSONS IN THE EVENT OF A RANGE TOP GREASE FIRE, OBSERVE THE FOLLOWING:

- A. SMOTHER FLAMES with a close-fitting lid, cookie sheet, or metal tray, then turn off the burner. **BE CAREFUL, TO PREVENT BURNS.** If the flames do not go out immediately **EVACUATE AND CALL THE FIRE DEPARTMENT.**
- B. **NEVER PICK UP A FLAMING PAN** - You may be burned.
- C. **DO NOT USE WATER**, including wet dishcloths or towels - a violent steam explosion will result.
- D. Use an extinguisher **ONLY** if:
 1. You know you have a Class ABC extinguisher, and you already know how to operate it.
 2. The fire is small and contained in the area where it started.
 3. The fire department is being called.
 4. You can fight the fire with your back to an exit.

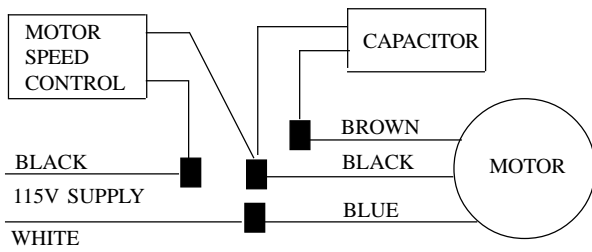
WIRING DIAGRAMS

SPECIAL WIRING PRECAUTIONS

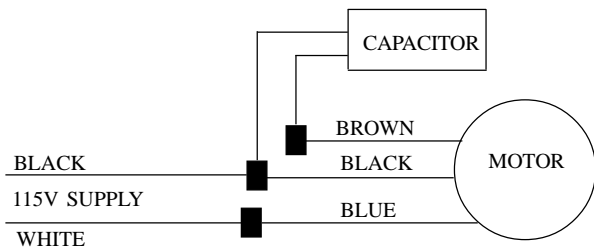
All installation should be wired according to the following diagrams. Failure to comply will cause the motor to “hum” or not work.

1. Turn off power at service entrance before wiring this fan.
2. Read the fan data plate to determine the current draw. Check that available supply is suitable .
3. Remove top enclosure of fan and the wiring box lid. A 7/8” hole is provided for electrical service entry. Use connectors and conduit provided.
4. Connect electrical supply inside wiring terminal per diagram below.
5. Replace wiring box lid and top enclosure.

WITH MOTOR SPEED CONTROL



WITHOUT MOTOR SPEED CONTROL



FIVE (5) YEAR WARRANTY

THIS WARRANTY SUPERSEDES ALL PRIOR WARRANTIES

FANTECH, INC will repair or replace any part of your product that has a factory defect in workmanship or material. Product must be returned to point of purchase, with Bill of Sale, within five (5) years of purchase. If factory return is required, as determined by rep/distributor, the warrantee assumes all cost to and from the factory.

THE FOLLOWING WARRANTIES DO NOT APPLY:

- To damages from shipping, either concealed or visible;
- To damages resulting from improper wiring or installation;
- To damages or failure caused by Acts of God, or resulting from improper consumer procedures such as
 - improper maintenance,
 - misuse, abuse, abnormal use, or accident and
 - incorrect electrical voltage or current;
- To removal of or any alteration to the Fantech label, control number or date of manufacture;
- To any other warranty, expressed, implied or written, and to any consequential or incidental damages, loss of property, revenues, or profit or costs of removal, or reinstallation, for any breach of warranty.

WARRANTY VALIDATION

The end user must keep a copy of the Bill of Sale to verify purchase date. Valid proof of the date of installation may also serve as a verification of commencement of warranty period.

FANTECH RETURN POLICY

Claims for damages or shortages must be reported within ten (10) days of receipt of product(s). For any product(s) received damaged by the forwarding agent, THE FOLLOWING INSTRUCTIONS MUST BE FOLLOWED:

- 1) For product delivered by UPS:
 - Concealed Damages: Keep all cartons. Call UPS for an inspection and notify Fantech immediately.
 - Visible Damages: Save all cartons and file complaint directly with UPS.
- 2) For product delivered via a common carrier: File damaged goods claim directly with the freight company.
- 3) Shortages: Sign only for the total number of pieces received and call Fantech immediately.

FOR FACTORY RETURN

PRODUCT(S) RETURNED WITHOUT AUTHORIZATION WILL NOT BE ACCEPTED. FANTECH WILL NOT ACCEPT THE RETURN OF ANY SPECIAL, NON-STOCK, OBSOLETE OR UNSALABLE PRODUCT(S). FANTECH MAY, AT ITS OPTION, ACCEPT RETURN OF SALABLE PRODUCT(S) SUBJECT TO A 25% RESTOCKING CHARGE.

- 1) No product(s) will be accepted without a Return Materials Authorization (RMA) number. This number can be obtained by calling Fantech, Inc. at 800-747-1762. Please have Bill of Sale or proof of date of installation available.
- 2) RMA must be clearly marked on outside of carton or delivery will be refused. All product(s) must be returned freight prepaid.
- 3) Product(s) will be repaired/replaced and shipped back to buyer; no credit will be issued.
- 4) Any out of warranty product will be evaluated and buyer will be notified of cost; repair cost will be charged to customer; buyer will be responsible for return freight or product may be returned without action, to the buyer, freight collect. No credit will be issued.

LIMITATION OF WARRANTY AND LIABILITY

This warranty does not apply to any FANTECH product or part which has failed as a result of faulty installation or abuse, incorrect electrical connections or alterations made by others, or use under abnormal operating conditions or misapplication of the product or parts. We will not approve for payment any repair not made by us or our authorized agent without prior written consent. The foregoing shall constitute our sole and exclusive warranty and our sole exclusive liability, and is in lieu of any other warranties, whether written, oral implied or statutory. There are no warranties which extend beyond the description on the page hereof. In no event, whether as a result of breach of contract, or warranty or alleged negligence, defect incorrect advice or other causes, shall FANTECH be liable for special or consequential damages, including, but not limited to, loss of profits or revenue, loss of use of equipment or any other associated equipment, cost of capital, cost of substitute equipment, facilities or services, downtime costs, or claims of customers of purchase for such damages. FANTECH neither assumes or authorizes any person to assume for it any other liability in connection with the sale of product(s) or part(s). Some jurisdictions do not allow the exclusion or limitation of incidental or consequential damages so the above limitations and exclusions may not apply to you.

WARNING

FANTECH, INC. products are designed and manufactured to provide reliable performance, but they are not guaranteed to be 100% free from defects. Even reliable products will experience occasional failures and this possibility should be recognized by the user. If these products are used in a life support ventilation system where failure could result in loss or injury, the user should provide adequate backup ventilation, supplementary natural ventilation, failure alarm system, or acknowledge willingness to accept the risk of such loss or injury.