



kitchen:accessories  
UNLIMITED

# INSTALLATION INSTRUCTIONS

## CARE AND USE MANUAL FOR: CLASSICAL WALL RANGE HOODS

Models covered by these instructions:  
SU1, SUE1, SU2, SU3, SUE3, SU4, SU5, SU7,  
SU18, SU22, SU23, SU25, SU26, SU31, SU36, SU39

**\*\*\* BEFORE INSTALLATION \*\*\***  
ENSURE THERE IS NO VISIBLE OR HIDDEN DAMAGE SUSTAINED  
DURING SHIPPING

**\*\*\* SHIPPING DAMAGE \*\*\***  
MUST BE REPORTED WITHIN 5 DAYS OF RECEIPT

## WARNING

*Thank you for purchasing a Sirius Range Hood.  
Please read all the instructions in this manual  
before installing the appliance.*

*Save these instructions for future reference.*

Only use this appliance as an exhaust ventilation system for the removal of cooking vapors. **DO NOT** use to expel flammable substances or any other materials or vapors.

The installation procedures in this manual are intended for qualified installers, service technicians or persons with similar qualified background. **DO NOT** attempt to install this appliance yourself.

Ensure that electrical power is turned off at source before commencing installation. All electrical wiring must be properly installed, insulated and grounded and conform to all applicable codes and standards.

Make sure all existing ductwork is clean of grease build up, or ductwork should be replaced, if necessary, to avoid the possibility of a grease fire. Check all joints on ductwork to ensure proper connection and all joints should be properly taped. Be careful when cutting through ceilings or walls not to damage any hidden pipes or electrical wiring. Ensure your kitchen has sufficient air return vents to replace the exhausted air.

Fan ducts should always be vented to the outside of your home and never into spaces within walls, ceilings, lofts or attics. Only use rigid, smooth steel for ducting. The exhaust point of the blower requires a 6" round connection.

## BEFORE YOU BEGIN

The manufacturer declines all responsibility in the event of failure to observe the instructions given here for installation, maintenance and suitable operation of the product. The manufacturer further declines all responsibility for injury due to negligence and the warranty of the unit automatically expires due to improper maintenance and/or installation.

**BEFORE YOU BEGIN:**  
**It is advisable to test run the range hood before installation.**

*Please read this entire manual and ensure that you are fully conversant with the requirements and limitations*

## DUCTING

(Not applicable if the range hood is used in re-circulating mode)

**WARNING:** *Do not vent this appliance into any other ductwork, spaces between walls, ceilings, attics, garages or any other confined space.*

### External Venting Requirements

When planning new ductwork, always look for the most direct route to the outside. Venting can be done through the roof or directly through the back

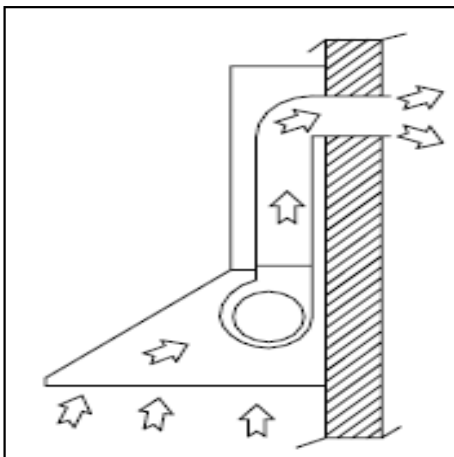


Figure 1

outside wall. (See Figure 1) Only use rigid type metal ducting (plastic ducting is generally not permitted by code). Flexible ducting could restrict airflow by up to 50%. Always fasten connections with sheet metal screws and tape all joints with certified Silver Tape or Duct Tape. **Do not use screws to fasten ductwork to the hood**, only use tape as the screws will stop the dampers from opening and your hood will not work. This hood requires a 6" round duct outlet. You can increase the duct size of the duct run but never decrease it.

Use the shortest and most direct route possible. Always, wherever possible, reduce the number of transitions and turns with as few sharp angles as possible. Two staggered 45 degree angles are better than one 90 degree. Make these turns as far away from the motor exhaust as possible, with as much space between each bend as possible.

### Duct Run Calculation

The maximum duct run before effecting the performance of the

Maximum Run	
6" or 3 1/4 x 10" duct	100 FT
Deduct	
Each 90 elbow used	15FT
Each 45 elbow used	9FT
Each 6" or 3 1/4 x 10" duct	
Transition used	1FT
Each 3 1/4 x 10" to 6"	
Transition used	5FT
Side Wall with damper	30FT
Roof Cap	30FT

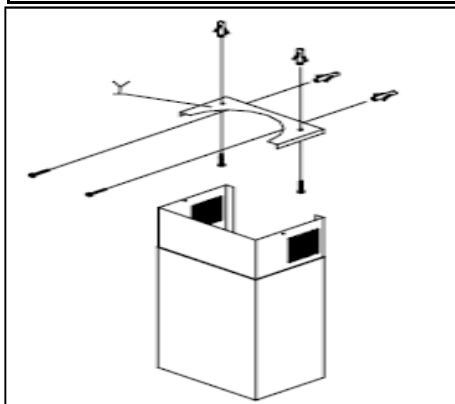


Figure 2

hood is 100'. Calculate your duct run by measuring linear feet and adding the elbows, transitions and caps based on the table alongside.

The ducting connection to the hood must be in line with the central vertical axis of the range hood 1" away from the back wall on which the hood is to be mounted.

The 1" is important to enable the ceiling bracket (as shown in Figure 2) to pass behind the ductwork servicing the range hood. Range hoods may interrupt the proper flow of combustion gases from fireplaces, gas furnaces and gas water heaters.

To minimize the risk of drawing these lethal gases back into the home, please follow the heating equipment manufacturers safety standards and guidelines carefully.

Refer to NFPA and ASHRAE for additional information.

## ELECTRICAL

**WARNING:** All electrical work must be performed by a qualified electrician.

Please ensure that the appropriate electrical codes or prevailing local building codes and ordinances are adhered to.

Ensure that the electricity supply is disconnected at source. Do not use an extension cord or adapter plug with this appliance.

This appliance must be grounded. Connect to a properly grounded branch circuit, protected by a 15 amp circuit breaker.

### Electrical Supply

This range hood requires a 120V, 60Hz supply and draws a maximum of 3 amps. The electrical supply to the range hood should be at least 17" from the underside of the installed range hood.

For a typical installation, where the underside of the range hood will be 30" above the counter top and the counter top is 36" above the floor level, the electrical supply should be 83" above floor level and no further than 3" to the right (as you face the wall) of the central axis of the range hood.