

INSTALLATION

Positioning the Range Hood

Determine the center point of the range hood. This is generally the center of the range. Make a mark on the wall a minimum of 25" above the top of an electric range. If the range is gas, the ideal minimum should be 30".

Using a spirit level, draw a perfectly vertical line, starting at the center mark, right up to the ceiling or the highest point to where the hood will extend. This is the central axis for the range hood. Draw a horizontal line fractionally above where the bottom of the range hood will be positioned. This is the underside of the range hood.

Marking the Fixing Holes for the Range Hood

Find the marking template provided called the "Assembly Scheme". Place the template against the wall. Align the horizontal line on the wall with the horizontal line on the template (indicated by two heavy arrows). Now align the vertical line on the wall with the "Central Axis" line on the template.

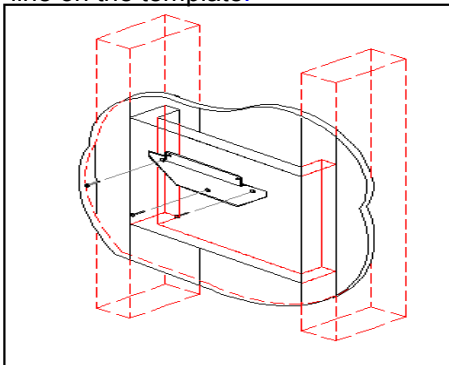


Figure 3

3

Gently tape the template to the wall making sure it has no creases or folds (use a tape that will not damage the wall finish). There are three hole positions shown for the wall bracket. Using a sharp object, mark the wall through the template at the center point of the three holes. Lower down on the template, you will see three sets of two holes. Only two of these holes refer to your model. Check which model you have and, using a sharp object, mark the two correct holes. These holes are used to anchor the range hood horizontally from inside the hood once it has been hung from the main bracket. Remove the template.

Fixing the Main Support Bracket

(CAUTION: Do not drill through any utilities inside the wall)

If the range hood will be fixed to drywall we strongly recommend that you discard the wall plugs and screws supplied. These anchors are only suitable for brick/masonry applications. We suggest the use of a more appropriate anchor system specifically designed for drywall applications. Wherever possible, it is advisable to place blocking between the studs, behind the drywall, to attach the support bracket to, (refer to Figure 3).

Drill the appropriate size holes at the marks made earlier and fix the Support Bracket ("S") securely to the wall. Ensure that any wall anchors have been fitted into

the lower two holes, as the range hood will cover these holes once hung on the Support Bracket ("S").

Chimney Installation

Locate the bracket (item Y) and position it with the vertical axis (marked on the wall earlier) running through the midpoint of bracket "Y". This bracket fits onto the ceiling and onto the wall to secure the upper half of the decorative chimney in place.

Mark the wall for the two anchors and mark the ceiling for the two anchors as indicated in Figure 2, (page 2).

Fix bracket "Y" to the wall and ceiling.

Hanging the Range Hood

Prepare the range hood for installation. Remove all filters to ensure they do not get damaged during the installation process. Hang the range hood on the bracket "S" (refer to Figure 4).

The bracket fixed onto the back of the range hood will drop into the channel on the top of bracket "S" on the wall. Ensure the hood is securely engaged into the support bracket - the range hood must clip in behind the extended lip on the Support Bracket ("S").

"Lock" the range hood onto the "S" bracket using the four machine screws supplied (refer to Figure 5).

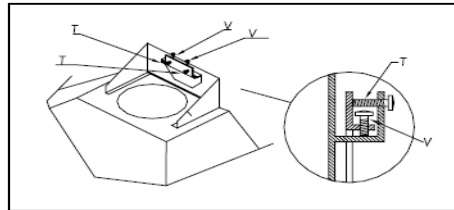


Figure 5

These screws are also used to make minor adjustments to the levelling of the range hood. Ensure the hood is level. Locate the two holes "C" inside the housing of the range hood and secure the range hood to the wall once the range hood is perfectly level and vertical. (refer to Figure 6)

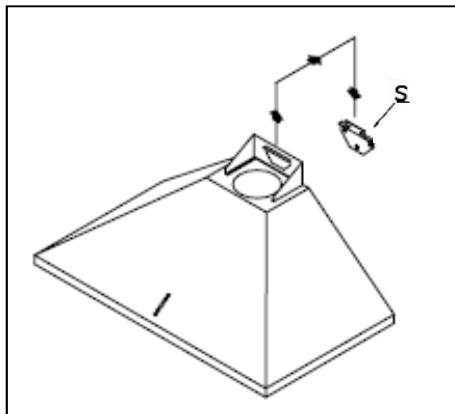


Figure 4

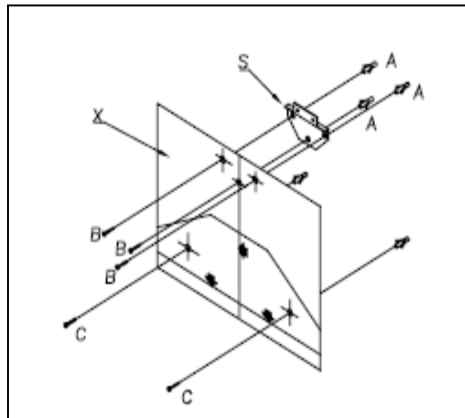


Figure 6

Connecting Electricity and Ducting

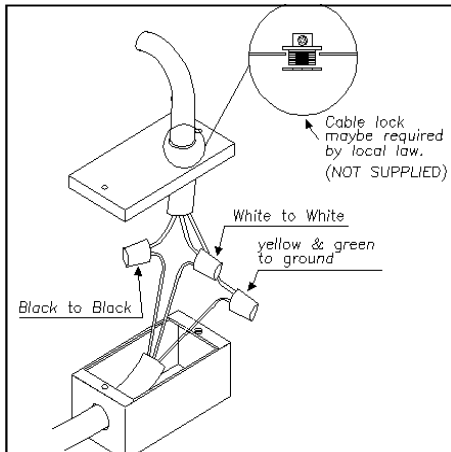


Figure 7

Please refer to the Electrical Supply section on page 2 for the required location of the electrical supply.

CAUTION: Make sure the power is turned off at source. Make electrical connections (refer to Fig 7).

Ensure that the plastic flaps at the exhaust outlet for the fan move freely and have not become jammed or stuck.

Connect the appropriate length of ducting to the fan exhaust point and join up with the ducting to the exterior. Figure 8 shows venting directly through the wall. Venting up and through the ceiling to the exterior is also possible (refer to Fig 9).

Do not fix the ducting to the range hood exhaust outlet with screws - use duct tape. Use duct tape on all joints.

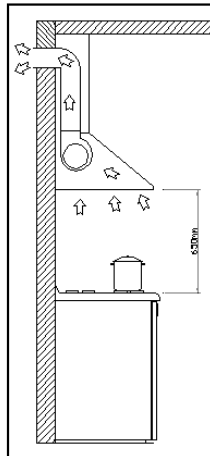


Figure 8

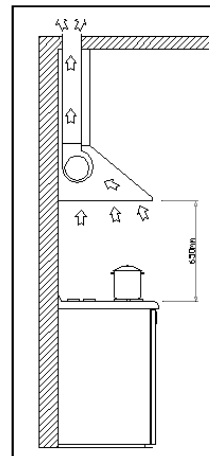


Figure 9

Connecting Chimneys

Remove the protective covering from the decorative chimney and carefully slide the sections together.

Do not remove the tape strips from inside the chimney as this protects the telescoping chimney-piece from scratching.

Holding the two chimney sections together carefully position them over the ductwork and wiring. Position the upper chimney so that it can be fixed via the holes on the side of the 'Y' bracket on the ceiling (refer to Figure 10).

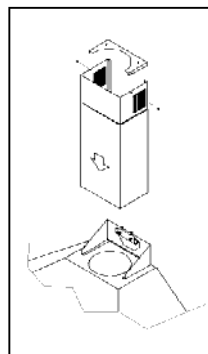


Figure 10

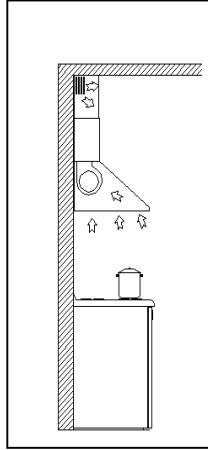


Figure 11

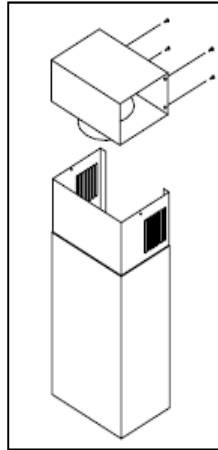


Figure 12

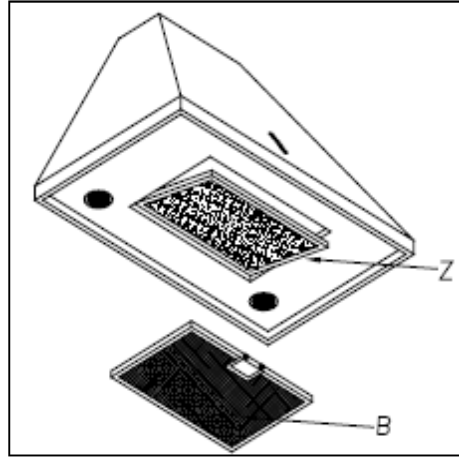


Figure 13

Re-Circulating Requirements

If the unit will be used in re-circulating mode (refer Figure 11), fit the deflector (refer Figure 12) with the screws supplied to the upper telescope chimney.

There are holes in the back upper edge of the decorative chimney for this purpose.

A short length of ducting is connected between the exhaust outlet on the fan and the deflector to direct the air back into the kitchen through the vents at the top of the upper decorative chimney.

The carbon filter (supplied separately) that absorbs odors is installed behind the aluminium grease filter (refer to Fig 13).

OPERATING PROCEDURES

Please read all the instructions before operating the appliance. Save these instructions for future reference.

General Advice

Ensure that the grease filters are in place. Without these components, operating blowers could catch on to hair, fingers and loose clothing. Keep fan, filters and surfaces clean of grease and fat. Always turn hood fan ON when cooking. NEVER leave cooking unattended.

NEVER dispose cigarette ashes, ignitable substances or any foreign objects into blowers.

Cooking that generates flame is not recommended as this hood is equipped with a thermal overload that will shut down the motor if it senses excessive heat. When frying, oil in the pan can easily overheat and ignite. Heat oil slowly in an appropriately sized pot (covering the entire burner) to reduce the risk of boiling over and burning.

In the event of a range top grease fire, observe the following:

Switch OFF the range hood. Turn off the cook top then smother flames with a close fitting lid, cookie sheet or other metal tray. If the flames do not go out immediately:

EVACUATE AND CALL THE FIRE DEPARTMENT. Never pick up a flaming pan – you may be burned. **DO NOT USE WATER** including wet dishcloths or towels, as a violent steam explosion may occur.

Functions

SU Models

Manual Touch Buttons:

- A: Light ON/OFF Button
- B: Blower Speed 1 (low) or OFF
- C: Blower Speed 2 (medium)
- D: Blower Speed 3 (high)
- E: Blower Speed 4 (intensive)
- F: 10 Minute Timer
(refer to figure 15)

SUE Models

Manual Push Button:

- A: Light ON/OFF Button
- B: Blower Speed 1 (low) or OFF
- C: Blower Speed 2 (medium)
- D: Blower Speed 3 (high)
- E: Hood in Operation Light
(refer to figure 16)

Filter requires washing indicator (**SU Models only**): After 30 hours of use, all the buttons will light up to remind you that the grease filter should be cleaned. Follow the instructions for cleaning filters in this booklet. Once the grease filters have been cleaned and replaced, reset by pressing the timer button (F). Do not rely solely on this indicator – generally, the grease filter should be washed on a regular basis to avoid grease filter fires.

The blower should be turned on for approximately 5 minutes before cooking in order to establish air currents upward through the hood. Use the low speeds for normal use and the higher speeds for strong odors and fumes.

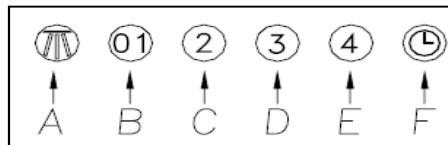


Figure 15

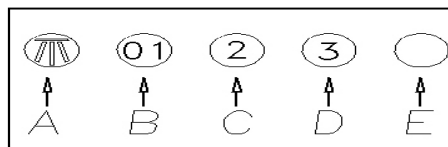


Figure 16