

### CONTENTS:

- (1) 18" RAIL w/ (2) End Plates
- (1) Mounting Plate Pre-Drilled 18"
- (1) Screw Pack
- (2) Outrigger: 36"
- (3) Outrigger Sleeve, Left
- (3) Outrigger Sleeve, Right
- (2) Outrigger Hangbar 16"
- (2) Wire Plate Rack 16"
- (1) Wire Shelf Set 16"

### 1 RAIL

See installation instructions packaged with RAIL.

### 2 OUTRIGGERS

Place outriggers on RAIL. Hangbar can be used to determine proper spacing between outriggers.

### 3 SLEEVES

Slide right & left sleeves in from outside outrigger bars into desired height grooves. Make sure Left & Right sleeves are at the same height by counting grooves up from bottom or down from top. Ridge inside rear of sleeve slides into groove on back of outrigger bar.

### 4 HANGBAR

Drop hangbar down onto sleeves with bar turned toward wall.

### 5 PLATE RACK

Drop plate rack u-cups down onto hangbar (diagram B).

### 6 SHELF

Drop shelf frame down onto sleeves with decorative screw heads facing front. Frame notches lock over insides of sleeves. Drop wire grate into frame.

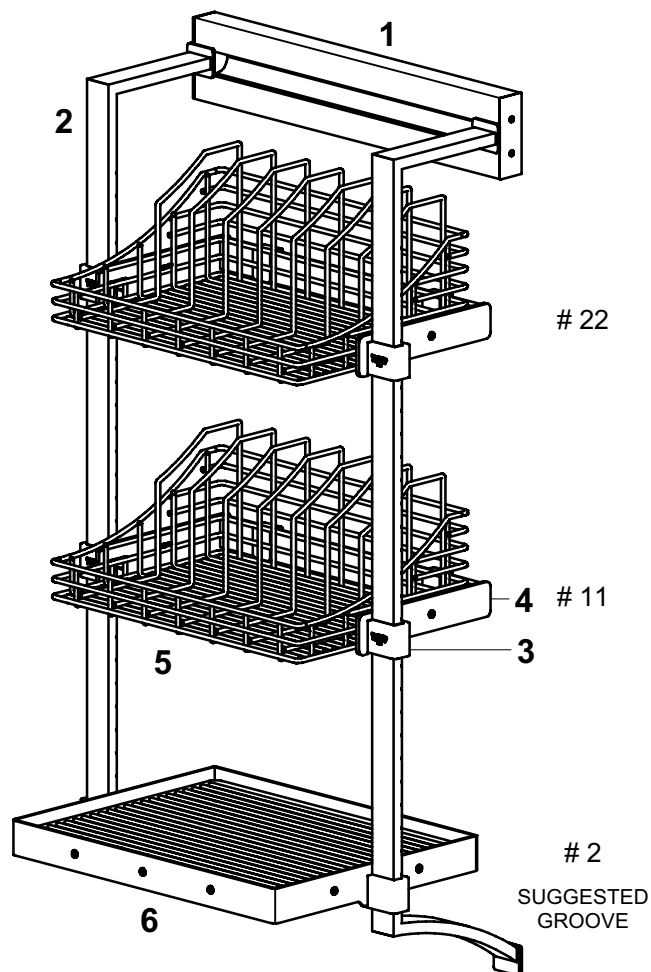


DIAGRAM A  
ASSEMBLED SET

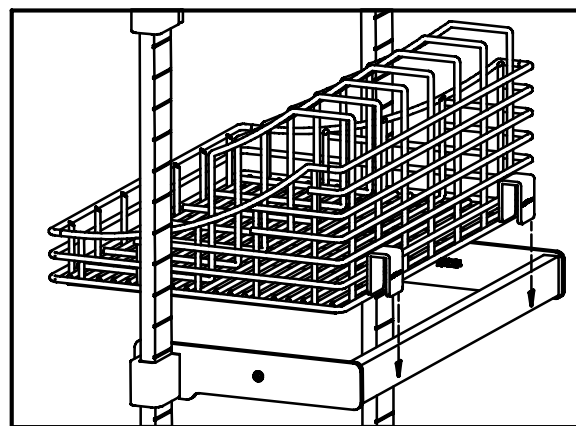


DIAGRAM B  
REAR VIEW - BASKET PLACEMENT