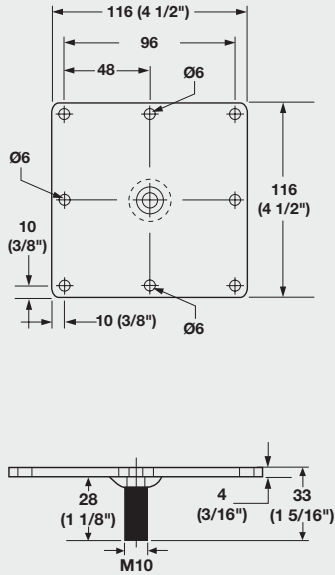


HÄFELE

at

cabinet :: accessories
UNLIMITED

- Steel square mounting plate with M10 bolt. Leg simply screws into mounting plate.
- Load rating approximately 100 kg. (220 lbs.) per leg.
- Adjustment range +25 mm
- Are sold in sets of 4, and includes all mounting hardware.



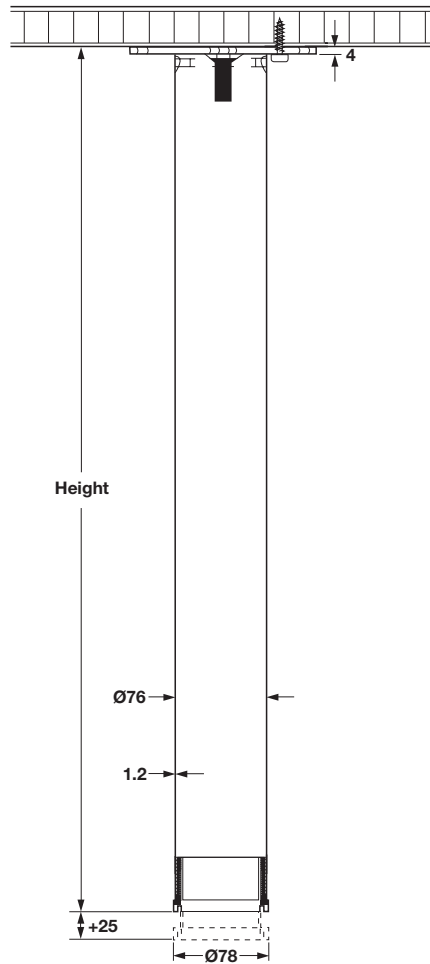
Leveler Ø5 mm Press-Fit

Use as replacements if needed. When completely screwed down (compressed) height is 5/8". Offers + 1" of adjustment
Finish: plastic, black

Cat. No. 635.06.005

Packing: 500 pcs.

Table Legs - Ø50 mm



E-Leg Ø50 mm, with adjustable foot

Heights listed include mounting plate and leveler. With adjustable foot, +25 mm

Finish: Legs: steel, plated or epoxy-coated
Leveler: plastic, black
Mounting Plate: steel, black

Height	Diameter	Finish	Cat. No.
710 mm (28")	50 mm (2")	Polished chrome	635.68.271
710 mm (28")	50 mm (2")	Black gloss	635.68.371
710 mm (28")	50 mm (2")	Black textured	635.68.373
710 mm (28")	50 mm (2")	Brushed steel	635.68.471
710 mm (28")	50 mm (2")	Silver aluminum RAL 9006	635.68.971

Packing: 1 set (includes 4 legs, 4 mounting plates, and screws # 9 x 1")

Tables, Legs, Casters, Levelers and Office Organization

Dimensional data not binding. We reserve the right to alter specifications without notice.

TCH 04

1214

Dimensions in mm
Inches are approximate