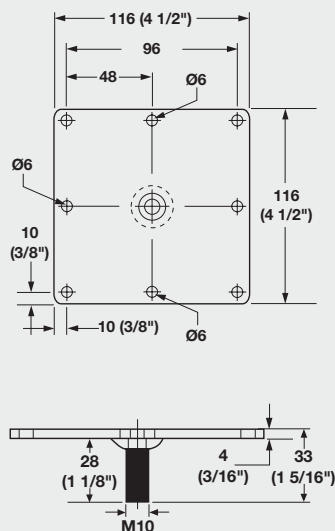


HÄFELE

at

cabinet :: accessories
U N L I M I T E D

- Steel square mounting plate with M10 bolt. Leg simply screws into mounting plate.
- Static rating approximately 100 kg. (220 lbs.) per leg.
- Adjustment range +25 mm
- Sold in sets of 4, and includes all mounting hardware.
- Plastic levelers are pressed-in. They can be removed if legs need to be cut. Simply pound levelers back in.



Leveler Ø76 mm Press-Fit

Use as replacements if needed. When completely screwed down (compressed) height is 5/8". Offers + 1" of adjustment. Finish: plastic, black

Cat. No. 635.06.010

Packing: 1 set (4 pcs.)

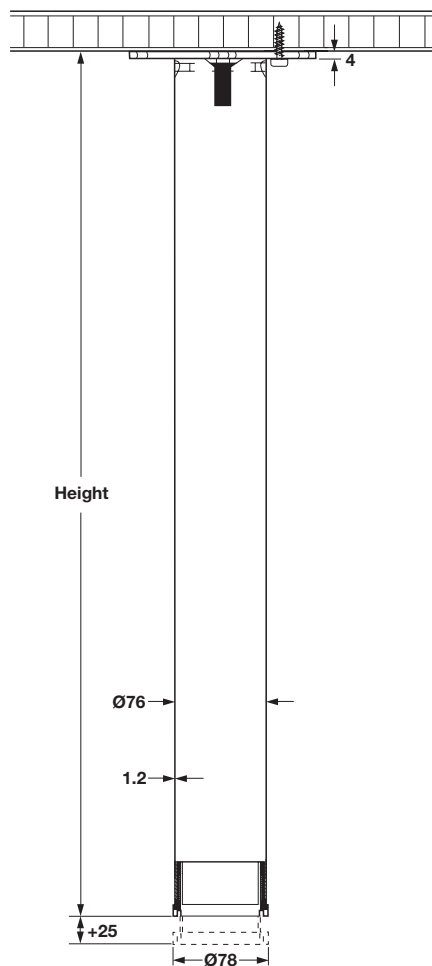
Tables, Legs, Casters, Levelers and Office Organization

Dimensional data not binding. We reserve the right to alter specifications without notice.

1218

TCH 04

Table Legs - Ø76 mm



E-Leg Ø76 mm, with adjustable foot

Heights listed include mounting plate and leveler.

With adjustable foot, +25 mm

Finish: Legs: steel, plated or epoxy-coated

Leveler: plastic, black

Mounting Plate: steel, black

Height	Diameter	Finish	Cat. No.
710 mm (28")	76 mm (3")	Polished chrome	635.53.271
710 mm (28")	76 mm (3")	Black semi-gloss	635.53.371
710 mm (28")	76 mm (3")	Black textured	635.53.372
710 mm (28")	76 mm (3")	Brushed steel	635.53.471
710 mm (28")	76 mm (3")	Silver aluminum RAL 9006	635.53.272

Packing: 1 set (includes 4 legs, 4 mounting plates, and screws # 9 x 1")

Dimensions in mm
Inches are approximate

Hafele at [::haef.com](http://www.haef.com) is a division of **cabinet :: accessories**
U N L I M I T E D