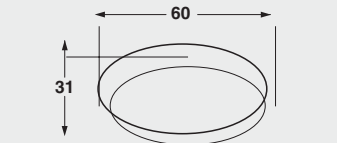
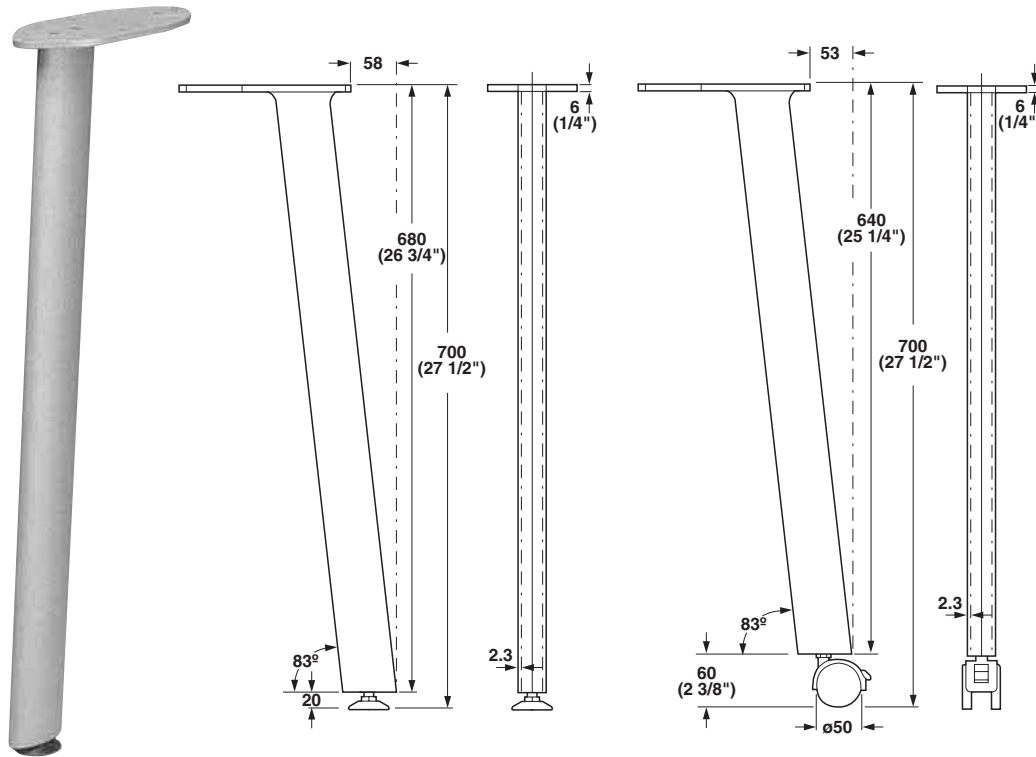
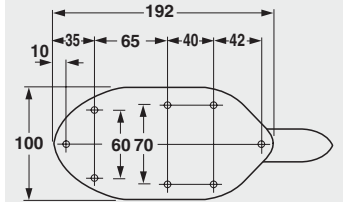


Table Legs - Elips

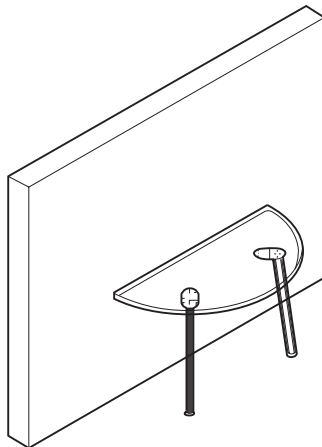


- Legs have an elegant elliptical shape, and are inclined.

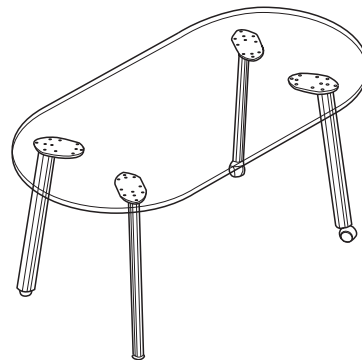


Mounting Plate Detail

- Legs are epoxy coated in black or silver, with a durable textured finish.
- Legs are packed 2 pcs. per box, and include casters or levelers.
- Please order mounting screws separately.
- Threads in bottom are M10
- Static load rating approximately 100 kg (220 lbs.) per leg.



An ideal leg to help support workspaces.



Can combine legs with levelers and casters.

Elliptical Legs with Levelers

Total height 27 1/2" + 1/2" of adjustment (approx.)

Finish: steel, epoxy-coated, textured

Color	Cat. No.
Silver aluminum RAL 9006 textured	635.69.268
Black RAL 9011 textured	635.69.368

Packing: 2 legs including levelers. (mtg. screws not provided).

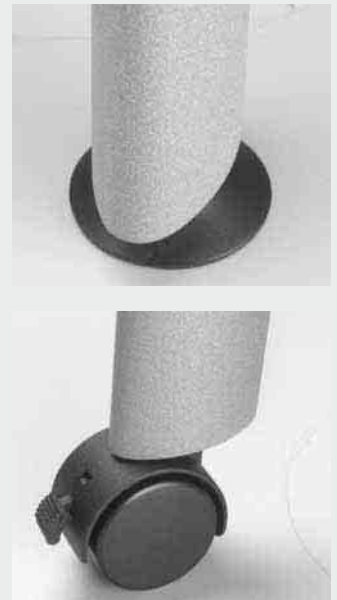
Elliptical Legs with Casters

Total height 27 1/2"

Finish: steel, epoxy-coated, textured

Color	Cat. No.
Silver aluminum RAL 9006 textured	635.69.264
Black RAL 9011 textured	635.69.364

Packing: 2 legs including casters. (mtg. screws not provided).



**Tables, Legs, Casters,
Levelers and Office
Organization**