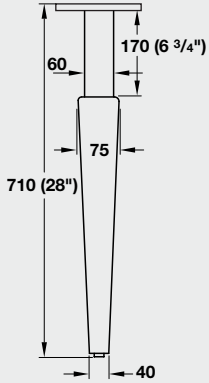


HÄFELE

at

cabinet :: accessories
U N L I M I T E D

- Leg is easily dis-assembled for surface finishing.
- Leg may require light sanding before finishing.
- Leg tapers from: 75 mm (3") to 40 mm (1 1/2")



- Static load rating approximately 100 kg (220 lbs.) per leg.

Table Legs - Wood



Tapered beech table leg, with metal accent.

Screw mounts to underside of tabletops.

With adjustable foot: +10 mm (3/8").

Finish: Leg; unfinished beech

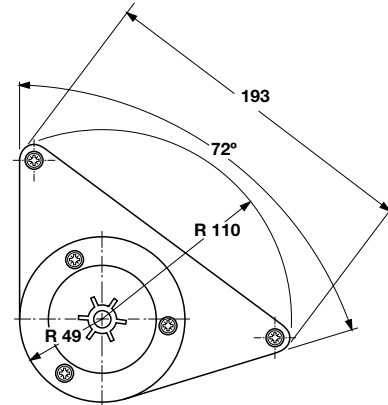
Metal accent: textured epoxy, black

Adjustment foot: plastic, black

Mounting plate: zinc, gray

Length	Cat. No.
710 mm (28")	635.19.370

Packing: 1 set includes 4 legs, 4 mounting plates, and screws #9 x 7/8"



**Tables, Legs, Casters,
Levelers and Office
Organization**

Dimensional data not binding.
We reserve the right to alter
specifications without notice.

TCH 04

1226

**Dimensions in mm
Inches are approximate**

Hafele at [::haef.com](http://www.haef.com) is a division of **cabinet :: accessories**
U N L I M I T E D