

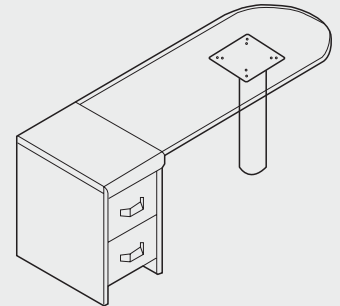
Support Legs

HÄFELE

at

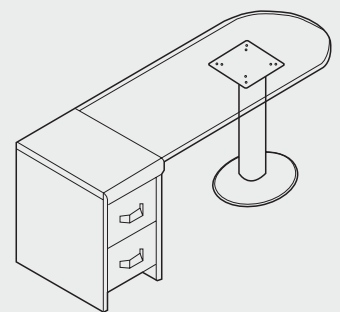
cabinet :: accessories
U N L I M I T E D

- Used as a support leg for peninsula tops.
- With single large leveler.
Diameter 105 mm (4 1/8") with M10 threads.

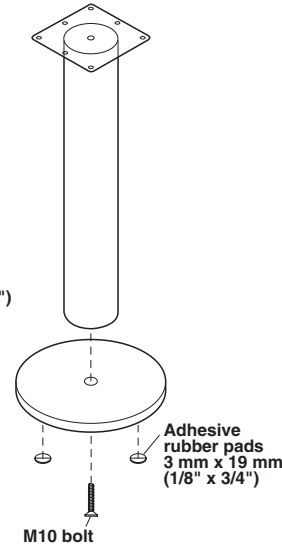
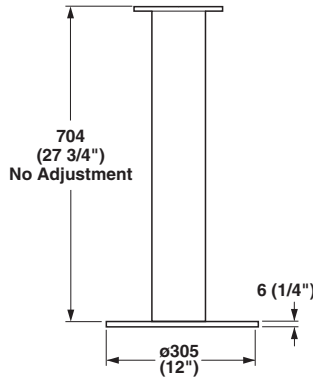
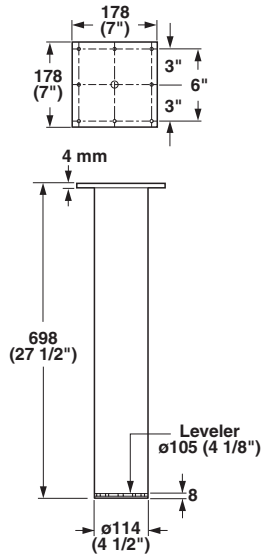


- Optional disk base available and is simply bolted to the bottom of support leg.
- 1) Leveler is removed, and disk base is bolted from below with included M10 bolt.
 - 2) Apply rubber pads to protect floors, or can be stacked as needed to adjust (add) height.

- Height adjustable inner tube is held in place via set screws.



Tables, Legs, Casters, Levelers and Office Organization



Single Column Support Leg

Diameter: 114 mm (4 1/2")
Height: 698 mm (27 1/2") + 3/4" of adjustment
Finish: steel, epoxy coated
Leveler: plastic, black

Color	Cat. No.
Silver/aluminum RAL 9006	635.35.271
Black textured	635.35.371

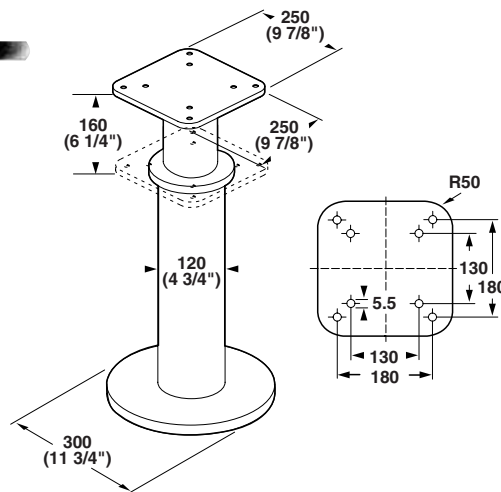
Packing: 1 pc.

Disk Base Ø305 mm (12")

Use as an optional support base - to be added to column base shown at left. Includes M10 attachment bolt and 12 pcs. adhesive rubber pads to protect floors. Can be stacked as needed to adjust height.
Finish: steel, epoxy-coated

Color	Cat. No.
Silver/aluminum RAL 9006	635.35.200
Black textured	635.35.300

Packing: 1 pc.



Single Column Table Base

Height adjustable, from 690 mm (27 1/4") to 850 mm (33 1/2")
Diameter, 120 mm (4 3/4")
Finish: steel, black epoxy-coated

Cat. No.	638.45.300
----------	------------

Packing: 1 pc.