

AdjustTableSystem™ - Trend Lifts

Bio-Fix™ products from Häfele.

The Minimax is simple in design, with maximum effect.

- Is operated via hand lever.
- Fits into small spaces.
- Maximum recommended top diameter is approximately 36".
- The adjustment range is 16 1/2".
- Gas pistons can not be interchanged or adjusted.
- Please include weight of top in total lifting strengths.
- **Please note:** Lifts are designed to assist intended load. Unit must be assisted by operator to complete travel distance.
- Tops to be customer supplied.

Avantgarde is a lift which will get noticed - a classic style which reflects the times. Adjustable and mobile.

- Maximum recommended top diameter is approximately 36".
- The adjustment range is 16 1/2".



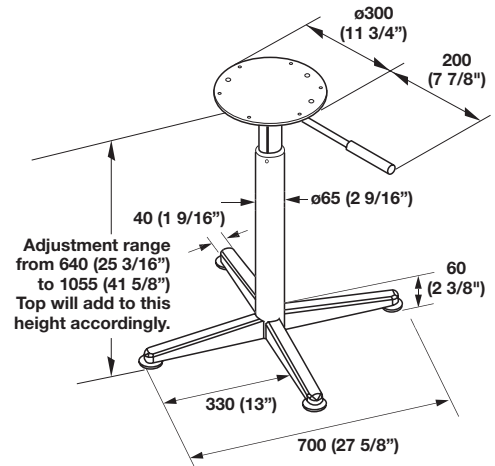
- Is operated via a foot pedal.

Tables, Legs, Casters, Levelers and Office Organization

Dimensional data not binding. We reserve the right to alter specifications without notice.

1236

TCH 04

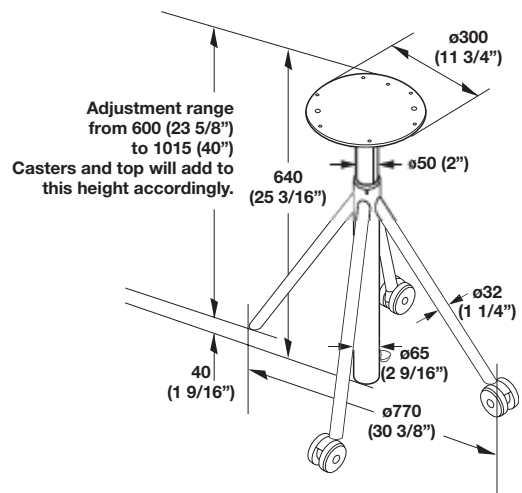


Lift - Minimax

ø65 mm with hand release, and pre-installed gas pistons. Includes adjustable levelers, M10 threads. Finish: steel, epoxy coated
Inner column: chrome

Finish	Lifting Strength	Cat.No.
Silver/Aluminum RAL9006	200 N 35 - 55 lbs.	638.49.200
Black	200 N 35 - 55 lbs.	638.49.300

Packing: 1 pc.



Lift - Avantgarde

ø65 mm with foot pedal release, and pre-installed gas pistons. **Please order casters separately. Caster height must exceed 40 mm.** Finish: steel, epoxy coated
Inner column: chrome

Finish	Lifting Strength	Cat. No.
Silver/Aluminum RAL 9006	200 N 35 - 55 lbs.	638.49.201
Black	200 N 35 - 55 lbs.	638.49.301

Packing: 1 pc.

**Dimensions in mm
Inches are approximate**

For the Avantgarde, Häfele recommends our 3" twin wheel caster with M10 threads. See page **1160**, Cat. No. 660.58.323

