

- Static load rating approximately 100 kg. (220 lbs.) per leg.
- Available in two heights, 28" and 34 1/2".
- Adjustment range +25 mm.
- Are sold in sets of 4, and includes all mounting hardware.
- Steel square mounting plate with M10 bolt. Leg simply screws into mounting plate.
- Plastic levelers are pressed-in. They can be removed if legs need to be cut. Simply pound levelers back in.

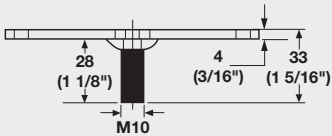
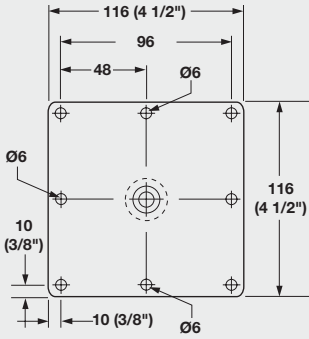
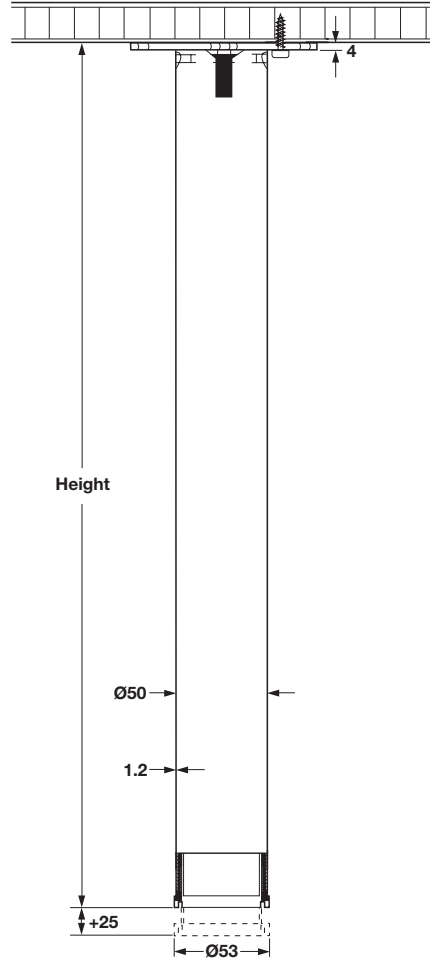


Table Legs - Ø60 mm



E-Leg Ø60 mm, with adjustable foot

Heights listed include mounting plate and leveler.
With adjustable foot, +25 mm.

Finish: Legs: steel, plated or epoxy-coated
Leveler: plastic, black
Mounting Plate: steel, black

Height	Diameter	Color	Cat. No.
710 mm (28")	60 mm (2 3/8")	Polished chrome	635.61.275
710 mm (28")	60 mm (2 3/8")	Black semi-gloss	635.61.375
710 mm (28")	60 mm (2 3/8")	Black textured	635.61.377
710 mm (28")	60 mm (2 3/8")	Brushed steel	635.61.475
710 mm (28")	60 mm (2 3/8")	Silver aluminum RAL 9006	635.61.975
876 mm (34 1/2")	60 mm (2 3/8")	Polished chrome	635.61.295
876 mm (34 1/2")	60 mm (2 3/8")	Black semi-gloss	635.61.395
876 mm (34 1/2")	60 mm (2 3/8")	Black textured	635.61.397
876 mm (34 1/2")	60 mm (2 3/8")	Brushed steel	635.61.495
876 mm (34 1/2")	60 mm (2 3/8")	Silver aluminum RAL 9006	635.61.995

Packing: 1 set (includes 4 legs, 4 mounting plates and screws # 9 x 1")

Tables, Legs, Casters, Levelers and Office Organization

Dimensional data not binding.
We reserve the right to alter specifications without notice.