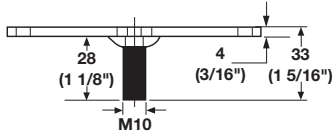


# Table Legs - Ø60 mm Component System

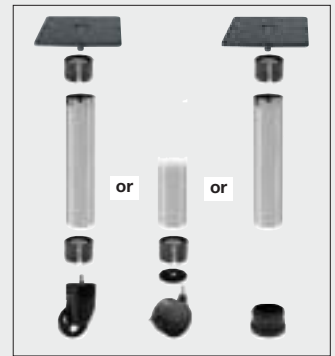
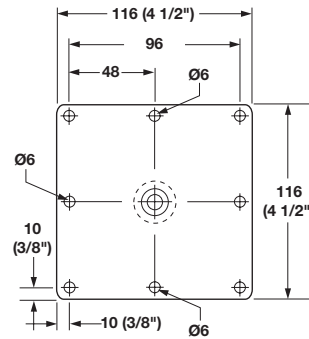


**Mounting plate.** Screw mounted, with M10 stud. Includes mounting screws #9 x 1"

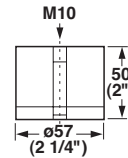
Finish: steel, epoxy-coated, black, steel screws

Cat. No. 635.06.013

Packing: 1 set (4 pcs.)



- A flexible leg system offering "do it yourself" customization.
- ø60 mm tubes can be cut to length, and various accessories are available.
- See casters pages 1155 - 1171.



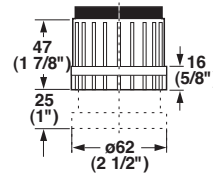
**Thread insert, M10.** For mounting plate and caster attachment. Is pressed into top or bottom of tube.

**Please note, caster selected must have a threaded stem at least 7/8" long.**

Finish: steel, zinc-plated; plastic, black

Cat. No. 635.06.026

Packing: 100 pcs.



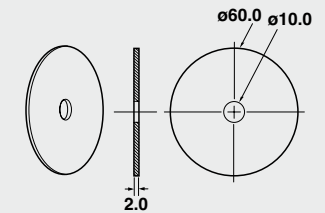
**Leveler Ø60 mm, Press-Fit.** When completely screwed down (compressed) height is 5/8".

Offers + 1" of adjustment

Finish: plastic, black

Cat. No. 635.06.008

Packing: 1 set (4 pcs.)



**Washer ø60 mm** for bottom of legs when used with casters (see above).

M10 male threads required

Finish: steel, black

Cat. No. 635.16.399

Packing 1 pc.

**Tube, Ø60 mm diameter.** Can be cut to length.

Finish: steel, plated or epoxy-coated

Color	Length	Cat. No.
Brushed steel	1425 mm (56")	635.20.066
Polished chrome	1425 mm (56")	635.20.266
Black semi-gloss	1425 mm (56")	635.20.366
Black textured	1425 mm (56")	635.20.368
Sliver/alum. RAL 9006	1425 mm (56")	635.20.966

Packing: 1 pc.



**Height adjuster.**

Offers 4 3/8" of adjustment.

Press-fit into bottom of ø60 mm tube.

When completely screwed down (compressed) height is 1 3/8". When fully extended height is 5 3/4".

Includes: black sleeve to cover adjustment mechanism.

Finish: plastic, black Sleeve: plastic, black

Cat. No. 654.35.310

Packing: 72 pcs.

**Decorative Sleeve.** Slides over ø60 mm legs to add decorative accent.

Height: 147 mm (6")

O.D.: 70 mm (2 3/4")

Finish: plastic, black

Cat. No. 654.35.370

Packing: 88 pcs.

## Tables, Legs, Casters, Levelers and Office Organization