

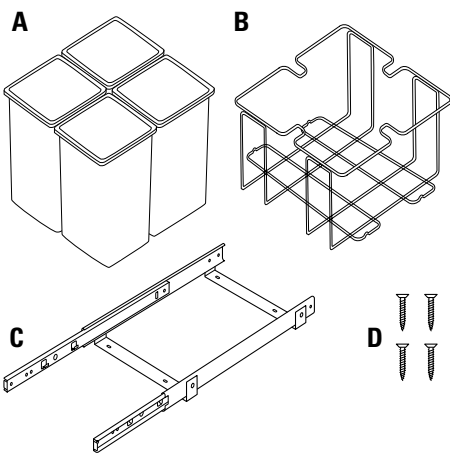
# 4-BIN RECYCLING CENTER

## Installation Instructions

Inspect all parts and read all instructions prior to beginning assembly and installation.

### Parts Included

- A. 4 (27 Quart) Bins
- B. Wire Support Frame
- C. Sliding Base Assembly
- D. Mounting Screws



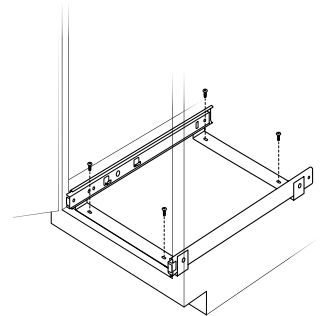
### Tools Required

- Phillips screwdriver
- Tape Measure
- Pencil
- Drill with 1/16" bit for pilot holes (optional)

### Product Assemblies

- PRC24-4-27-A
- PRC24-4-27-W
- PDMRC24-4-27-A
- PDMRC24-4-27-W

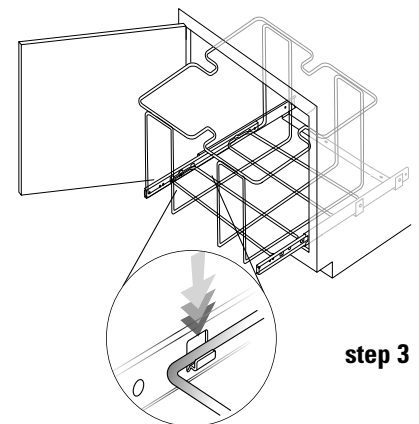
**Step 1** Place sliding base assembly on cabinet floor, centered behind the back edge of the cabinet face frame. If installing in a frameless cabinet, measure 3/4" back from front of cabinet opening, and align sliding base assembly parallel to cabinet opening. Close door to make sure the assembly will not hold cabinet door open. Also, check to see if unit will clear the door opening when fully extended. Once position is determined, fasten in place using four mounting screws provided and the Phillips head screwdriver.



step 2

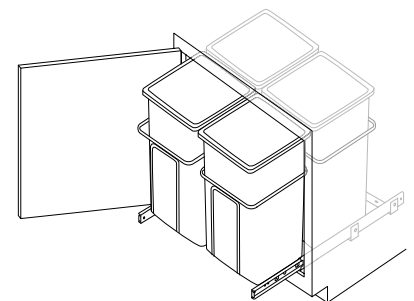
### Optional Step

Mark placement of mounting holes with a pencil, remove sliding base assembly and drill pilot holes for fastening screws. Place sliding base assembly back into position and fasten with the provided screws.



step 3

**Step 2** If sliding members are fully extended, return to closed position. Hold the wire support frame over the sliding base assembly so that the frame aligns with the clip retainer built into the side of the sliding members. Pushing firmly, lower wire frame into clip retainers until firmly seated. Insert bin(s) into wire support frame to complete the installation.



step 3