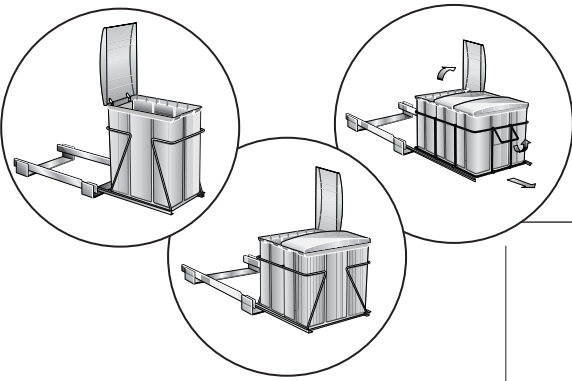


# SLIDING SINGLE, DOUBLE & TRIPLE LIDDED WASTE BINS

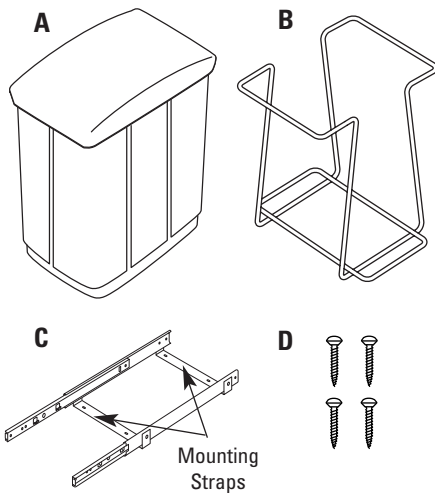
## Installation Instructions

Inspect all parts and read all instructions prior to beginning assembly and installation.



### Parts Included

- A. White Wastebin(s) w/Attached Lid
- B. Wire Cage
- C. Sliding Base Assembly
- D. Mounting Screw Package



### Tools Required

- I. Phillips Screwdriver
- II. Tape Measure
- III. Pencil

### Optional

- I. Drill with 1/16" bit for pilot holes

### Product Assemblies

#### Single Bin Units

PLSW9-1-20-W  
PLSW9-1-20-R-W  
R120

#### Double Bin Units

PLSW15-2-20-W  
PLSW15-2-20-R-W  
R125

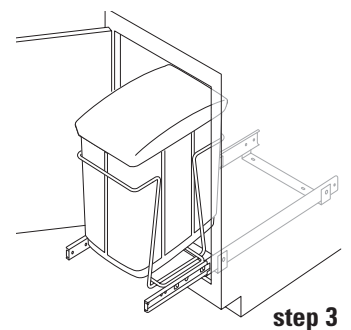
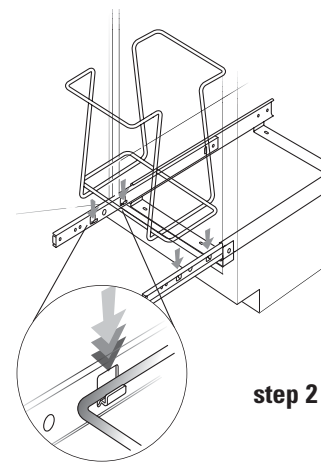
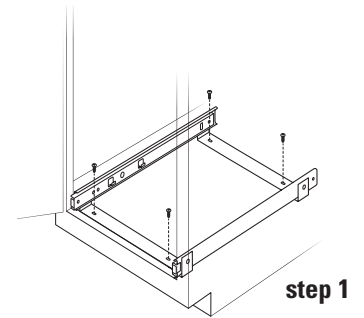
#### Triple Bin Units

PLSW15-3-20-W  
PLSW15-3-20-R-W

- Step 1** Inspect all parts and read all instructions prior to beginning assembly and installation.
- Step 2** Place sliding base assembly on cabinet floor, right behind the back edge of the cabinet face frame. If installing in a frameless cabinet, measure 1/2" to 3/4" back from front of cabinet opening, and align sliding base assembly parallel to cabinet opening. Close door to make sure the assembly will not hold cabinet door open. Also, check to see if unit will clear the door opening when fully extended. Once position is determined, fasten in place using four mounting screws provided and the Phillips head screwdriver.

Optional step: Mark placement of mounting holes with a pencil, remove sliding base assembly and drill pilot holes for fastening screws. Place sliding base assembly back into position and fasten with the provided screws.

- Step 3** If sliding members are fully extended, return to closed position. Hold the wire cage(s) over the sliding base assembly so that the cage(s) aligns with the clip retainer built into the side of the sliding members. Pushing firmly, lower wire cage into clip retainers until firmly seated. When installing a single-bin sliding unit, the wastebin will sit perpendicular to the cabinet opening. When installing two or three wastebins, the bins will sit parallel to cabinet opening. Insert bin(s) into cages to complete the installation.



### Top View

