

Real Solutions

at

kitchen::accessories
UNLIMITEDTOP-MOUNT WASTE AND
RECYCLING UNIT

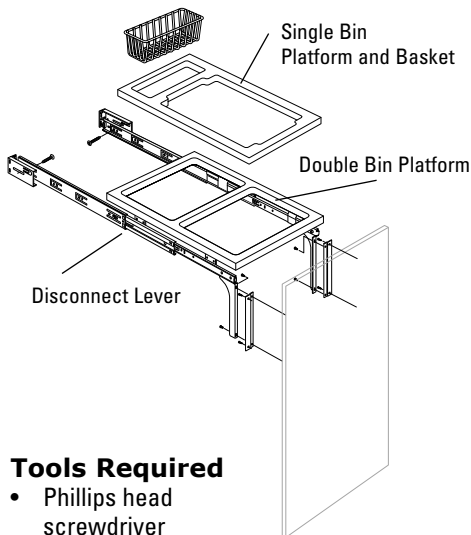
Installation Instructions

Note: This product is designed specifically for use with traditional 1-1/2" wide face frame style cabinetry. To use with non-traditional face frame cabinetry, or Euro-style frameless cabinetry, additional blocking may be required to provide the correct cabinet opening width.

Inspect all parts and read all instructions prior to beginning assembly and installation.

Parts Included

- A. One (1) sliding bin assembly (Slide brackets, sliding members and platform pre-assembled)
- B. 35 qt. white bin(s) (one with PDMTM12-1-35)
- C. One (1) white wire accessory basket (only on PDMTM12-1-35 models)
- D. Two (2) Rear Slide Mounting Brackets
- E. Four (4) Door Brackets (two are 1-1/4" wide and two are 2-1/4" wide)
- F. Four (4) #6-18 x 5/8" Phillips flathead sheet metal screws for mounting door brackets
- G. Four (4) #10-24 x 1/4" Phillips pan head machine screws
- H. Eight (8) #7 x 1/2" Phillips pan head sheet metal screw for mounting slide members



Tools Required

- Phillips head screwdriver
- Drill with 1/16" (1.5mm) bit for drilling pilot holes
- Tape measure or ruler
- Pencil
- Level

Product Assemblies

PDMTM12-1-35
PDMTM15-2-35

- Step 1** If cabinet door is attached to cabinet, remove hinges from cabinet frame and door, and set door aside for use in Step 6.

Mark front location for attaching slides. On face frame cabinetry, mark 14-3/4" up from the top edge of bottom frame cross rail on both front frame stiles. Mark on interior edge of frame stile. This line will indicate the slide centerline. Using a level, verify that both marks on cabinet frame are level. To properly locate the cabinet member of the slide front to back and allow for a 2mm setback, a second mark should then be placed 1/2" back from the front of the face frame. This mark, 1/2" back from the front edge indicates the location of the front mounting screws for left and right slides. (figure A)

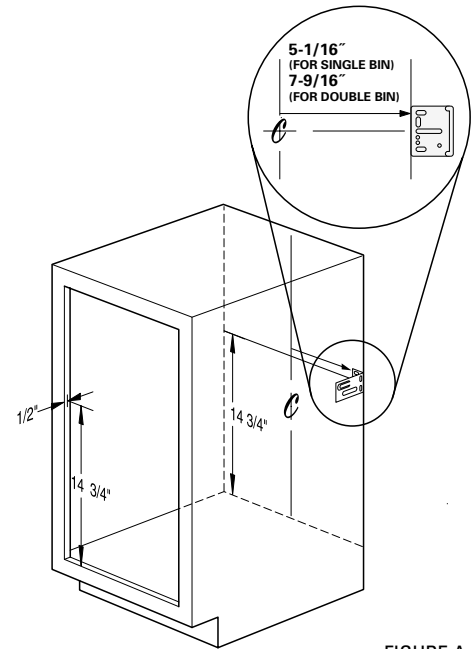


FIGURE A

Optional step

Using 1/16" drill bit, drill pilot holes for inserting screws.

Mark rear location for attaching slides. On face frame cabinetry, measure 14-3/4" up from the cabinet bottom on the cabinet back panel. If you have a recessed cabinet bottom that sits below the top of the bottom face frame rail, you will need to add the amount of face frame reveal to this number. Mark this location. (Example: cabinet bottom is 1/4" below the top edge of face frame = 14-3/4" + 1/4" equals 15" high mark). Using a level, verify that both marks on cabinet back panel are level.

- Step 2** On the 14-3/4" height line determine the centerline of the back panel and measure out from the centerline on either side 5-1/16" for the PDMTM12-1-35; or 7-9/16" for the PDMTM15-2-35. These marks will indicate where the inside edge of each slide mounting bracket will sit. Align the rear slide mounting bracket to this mark, with the bracket centered on the 14-3/4" vertical height line. Using two (2) #7 x 1/2" panhead sheet metal screws, attach bracket to cabinet back panel. Repeat this process for attaching other rear-mounting bracket.

Optional step

Using 1/16" drill bit, drill pilot holes for inserting screws.

Step 3 Locate sliding bin assembly. Fully extend both sliding members. Separate the slide members by depressing the disconnect levers on each slide. Set the bin platform aside.

Insert the end of the cabinet slide member into the rear mounting bracket. Align the front end of the slide over the mark on the cabinet frame, and attach using one (1) #7 panhead sheet metal screw. Using a second #7 panhead screw, attach the rear of the slide member to the rear mounting bracket. Repeat this process for remaining sliding member.

Step 4 Align platform assembly slide members in the slide channels of the two slides that were just attached to the cabinet. Gently push platform fully into cabinet interior. Open and close the assembly to check for proper fit and operation. Verify slides are level and that the platform slides smoothly and quietly without binding. If necessary, loosen screws in rear-mounting brackets to adjust position of brackets to properly align slides. Tighten screws once adjustment is complete.

Step 5 On sliding bin assembly, measure the distance from top edge of bottom cabinet frame rail, to the bottom most keyholes in slide brackets. This dimension is "Y". Add the amount of cabinet door overlay to "Y". Using this number, mark a horizontal level line across the backside of the cabinet door, being sure to measure from the bottom of the cabinet door upwards. (figure B)

Measure the distance from the bottom most keyholes in slide brackets to closest side frame edge. This dimensions is "X". Add the amount of cabinet door overlay to "X". Using this number, mark a vertical level line across the backside of cabinet door on each side, being sure to measure from the outside edges of cabinet door towards the center of the door. Confirm that on each side of the door, that this line intersects vertical measurement.

From the locations previously marked for the above, measure up 7-1/2" on either side to locate the position for upper door bracket keyholes.

Step 6 To attach door brackets to cabinet door, first identify your cabinet door overlay. If overlay is 1/4", 1/2" or 1", the narrower 1-1/4" door brackets will be used. If overlay is greater than 1", the wider 2-1/4" door brackets will be used. Unused door brackets may be discarded after installation is complete.

Laying cabinet door face down, identify which set of door brackets based on the amount of overlay to attach to backside of cabinet door. Set additional door brackets aside. The door brackets you selected will be positioned with the small round hole in bracket always closest to center of cabinet door. Laying the brackets on the vertical line on back of cabinet door, center small round hole over the two intersecting lines. Repeat this process for second bracket on opposite edge of door.

Using a pencil, mark the screw location in the slotted hole on the bracket, making certain that the mark is not positioned where it will interfere with the dado of the doorframe, or the center panel. Allow a minimum of 1/8" clearance from edge of dado. Using two (2) #6-18 x 5/8" flathead sheet metal screws, attach door bracket to backside of cabinet door using the slotted holes. Repeat this process for bracket on opposite edge of door. (figure C)

Optional step

Using 1/16" drill bit, drill pilot holes for inserting screws.

If you haven't done so already, remove hinges from backside of cabinet door. Set aside or discard.

Step 7 Insert one (1) #10-24x1/4" Phillips pan-head machine screw in each round hole of door brackets. Extend sliding bin assembly (with slide brackets attached) out of cabinet interior to a comfortable working position. Align the panhead screws on door bracket with the keyholes in the slide bracket. Insert through keyhole and push downward until panhead screws are fully seated. If necessary, loosen the panhead screws slightly to verify screws are fully seated. Tighten screws to secure.

Step 8 Close cabinet door and sliding assembly. Verify that the door is aligned; side to side, up and down as well as the tilt. To make side-to-side adjustments, loosen and reposition screws in the slotted holes of the door bracket. If up and down adjustments are necessary, loosen and reposition screws in slotted holes of door bracket. To make tilt adjustments, loosen and reposition rear-most screws in the top of the slide brackets (where attached to slide members). Assembly is now complete.

Care & Cleaning

Immediately wipe up spilled liquids and foods.

When cleaning platform assembly, use a clean soft rag dampened with water and a mild dishwashing detergent.

Sliding members have been lubricated by the manufacturer for optimum performance. Do not remove lubrication, as it may adversely affect slide performance.

Sliding bin assembly has been thoughtfully designed to reduce contact of clothing and skin with the lubrication solution used on the sliding members. However, lubrication solution in most cases is not harmful to skin, and can be removed from skin and or clothing using mild soap.

For best performance when using plastic trash bags, fold excess bag material over top edge of bin and tuck between bin and the bin access sole in platform to prevent bags from being caught in sliding members.

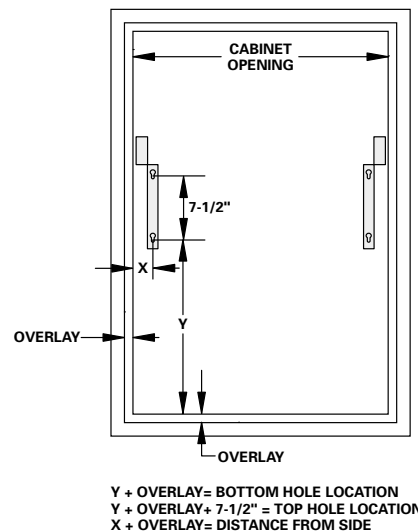


FIGURE B

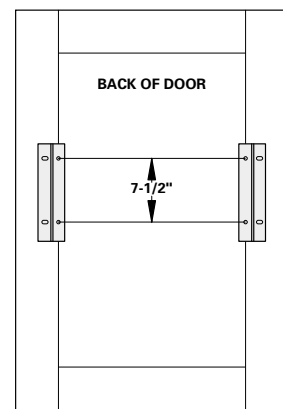


FIGURE C