

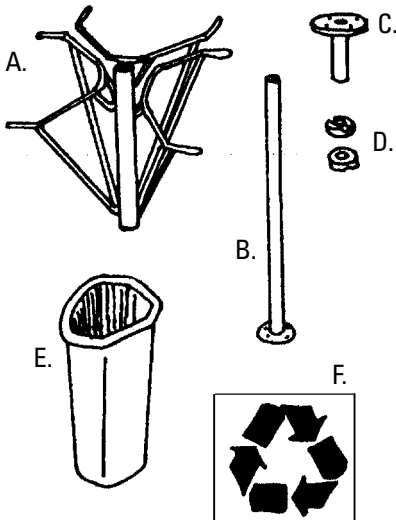
ROTARY RECYCLING CENTER

Installation Instructions

Inspect all parts and read all instructions prior to beginning assembly and installation.

Parts Included

- A. Basket Hanging Rack
- B. Post
- C. Top mount kit
- D. Shaft collars (2)
- E. Waste bins (3)
- F. Color coded labels (6)
- G. Mounting Screw Package



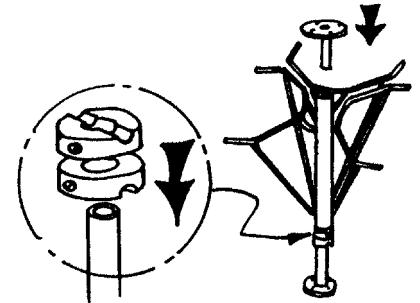
Tools Required

- Phillips screwdriver
- Tape Measure
- Pencil
- Drill with 3/32" bit for pilot holes (optional)

Product Assemblies

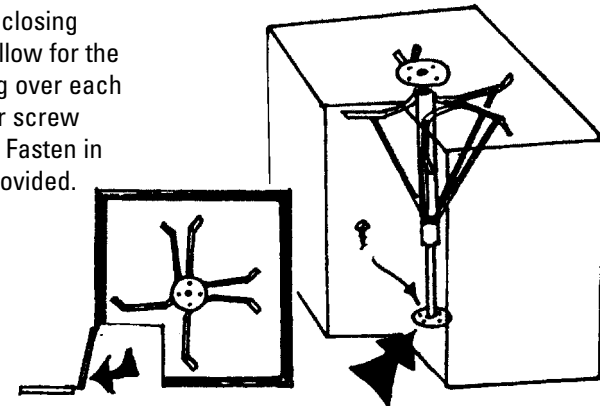
RRC28K

Step 1 Place both of the shaft collars on post. Bottom collar should have slotted side up. Place basket hanging rack on post. Locate near top of post and tighten set screw in collar. Insert the top mount support into top of post.



step 1

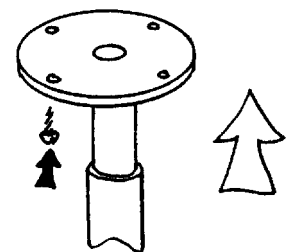
Step 2 Locate the unit as assembled inside your cabinet. Position the unit so the open side of the basket hanging rack will straddle the door as shown. Check for interference by closing cabinet door. Be sure to allow for the basket rim which will hang over each side of rack. Mark the four screw holes on the cabinet floor. Fasten in place using the screws provided.



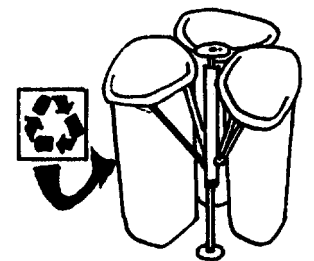
Top View

step 2

Step 3 Lift the top mount support to the top of the cabinet and secure it in place using the screws and star washers provided. Place the three wastebaskets on the basket hanging rack. Color-coded labels may be applied to bins. Installation is now complete.



step 3



step 4