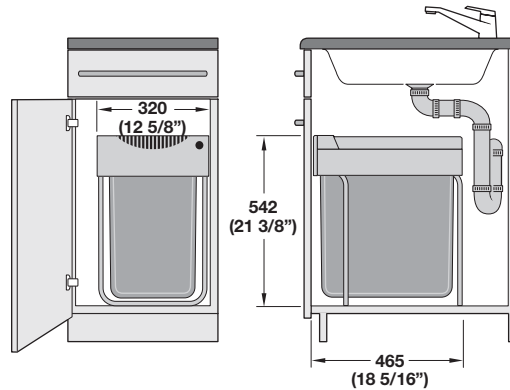


## Waste Bins

### Pull-Out

- Easy and fast installation (only 4 screws)
- Lid snaps on
- Practical storage area on top of lid
- Use with a hinged door
- Load capacity: **40 kg (88 lbs.)**
- 100,000 cycle tested



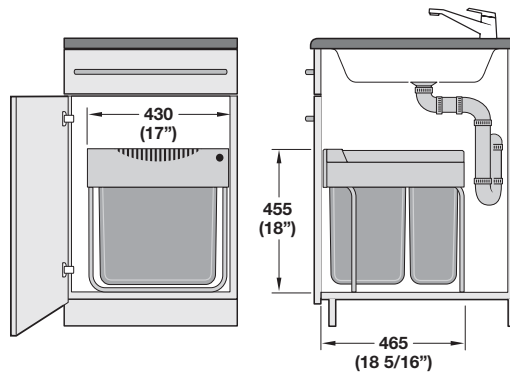
#### Easy Cargo 40

- Bottom mounted, full-extension with ball bearing telescoping slides
- Compatible with 18" face frame cabinets or 15" frameless cabinets
- Capacity: **40 liters (10.5 gal.)**

Material: Frame: metal, silver  
Waste bins: plastic

Color	Item No.
gray	502.43.520

Packing: 1 pc. (includes mounting screws)



#### Easy Cargo 50

- Bottom mounted, full-extension with ball bearing telescoping slides
- Compatible with 21" face frame cabinets
- Capacity: **49 liters (13 gal.) (1 x 30 liters (8 gal.), 1 x 19 liters (5 gal.))**

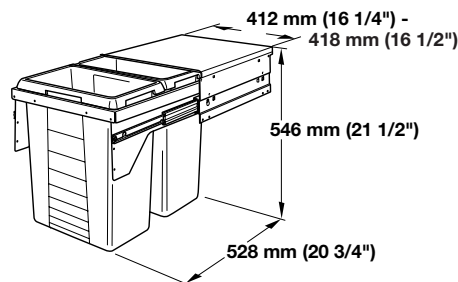
Material: Frame: metal, silver  
Waste bins: plastic

Color	Item No.
gray	502.70.522

Packing: 1 pc. (includes mounting screws)

### Pull-Out Door Mounted

- Easy installation with clip-on frame
- Fits in 18" base
- Sturdy metal lid, suitable as shelf and seals in odor
- 100,000 cycle tested
- Inside cabinet dimensions: minimum 412 mm (16 1/4") wide x 559 mm (22") high
- 6 mm (1/4") width adjustment built into frame



#### Double Waste Bin, Euro Cargo 45

Side wall mounted with manual full-extension, self-closing overtravel ball bearing slides.  
Capacity: **2 x 35 liters (9.25 gal. x 2)**

Material: Frame and lid: steel, silver powder-coated  
Pails: plastic, light gray

Color	Item No.
gray	502.73.921

Packing: 1 pc.

- For frameless application add the door opener on page **995**.
- Door opener not to be used with self-closing slides