

Real Solutions

at

kitchen::accessories
UNLIMITED

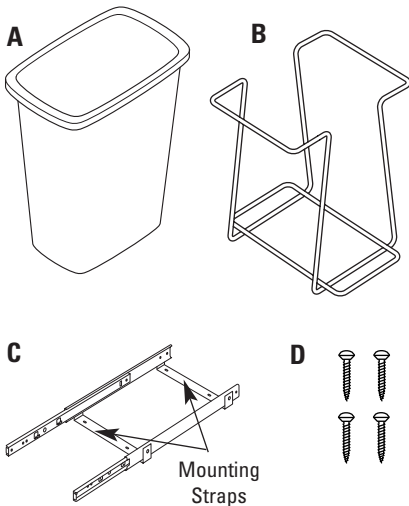
SLIDING SINGLE & DOUBLE WASTE BINS

Installation Instructions

Inspect all parts and read all instructions prior to beginning assembly and installation.

Parts Included

- A. Waste Bin
- B. Wire Cage
- C. Sliding Base Assembly
- D. Mounting Screw Package



Tools Required

- I. Phillips screwdriver

Optional

- I. Drill with 1/16" bit for pilot holes
- II. Pencil

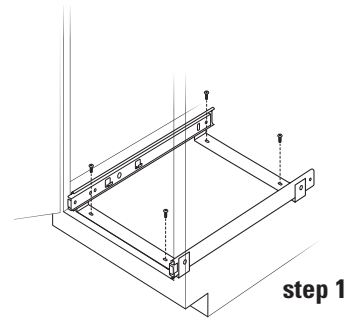
Product Assemblies

Single Bin Units	Double Bin Units
PSW9-1-20	PSW15-2-20
PSW12-1-30	PSW15-2-35
PSW12-1-35	PSW18-2-30
PSW15-1-20	PRC12-2-27
PSW18-1-30	R110
R101	

Step 1 Place sliding base assembly on cabinet floor, in desired position. Position front Mounting Strap against the back edge of the cabinet face frame. If installing in a frameless cabinet, measure 1/2" to 3/4" back from front of cabinet opening, and align sliding base assembly parallel to cabinet opening. Close door to make sure the assembly will not hold cabinet door open. Also, check to see if unit will clear the door opening when fully extended. Once position is determined, fasten in place using four mounting screws provided and a Phillips head screwdriver.

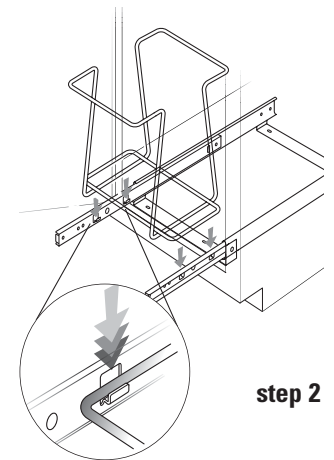
Optional Step:

Mark placement of mounting holes with a pencil, remove sliding base assembly and drill pilot holes for fastening screws. Place sliding base assembly back into position and fasten with the provided screws.



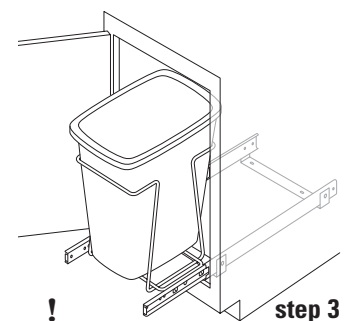
Step 2 - Single Bin

If sliding members are fully extended, return to closed position. Hold the wire cage over the sliding base assembly so that the cage aligns with the clip retainer built into the side of the sliding members. The waste bin will sit perpendicular to the cabinet opening. Pushing firmly, lower wire cage into clip retainers until fully seated. Insert bin into cage to complete the installation.



Step 2 - Double bin

If sliding members are fully extended, close unit so that the rear cage clip retainer—built into the side of the sliding members—are inside the cabinet. Beginning with the rear-most wire cage, hold the cage over the sliding base assembly so that the cage aligns with the clip retainer. The bins will sit parallel to cabinet opening. Pushing firmly, lower wire cage into clip retainers until fully seated. Close unit completely and install front-most wire cage in the same manner. Insert bins into cages to complete the installation.



Top View

