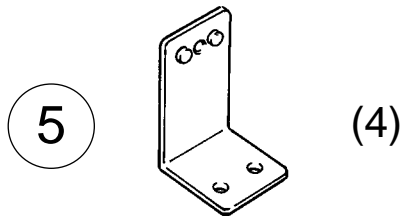
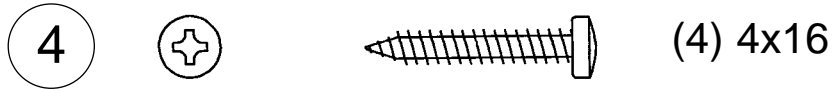
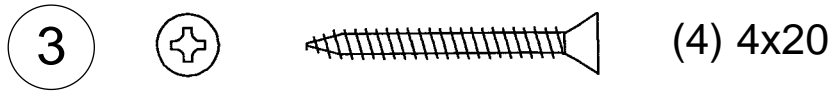
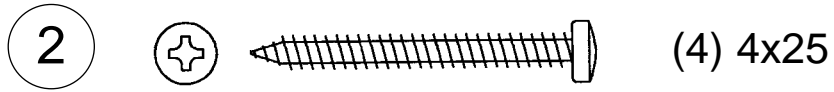
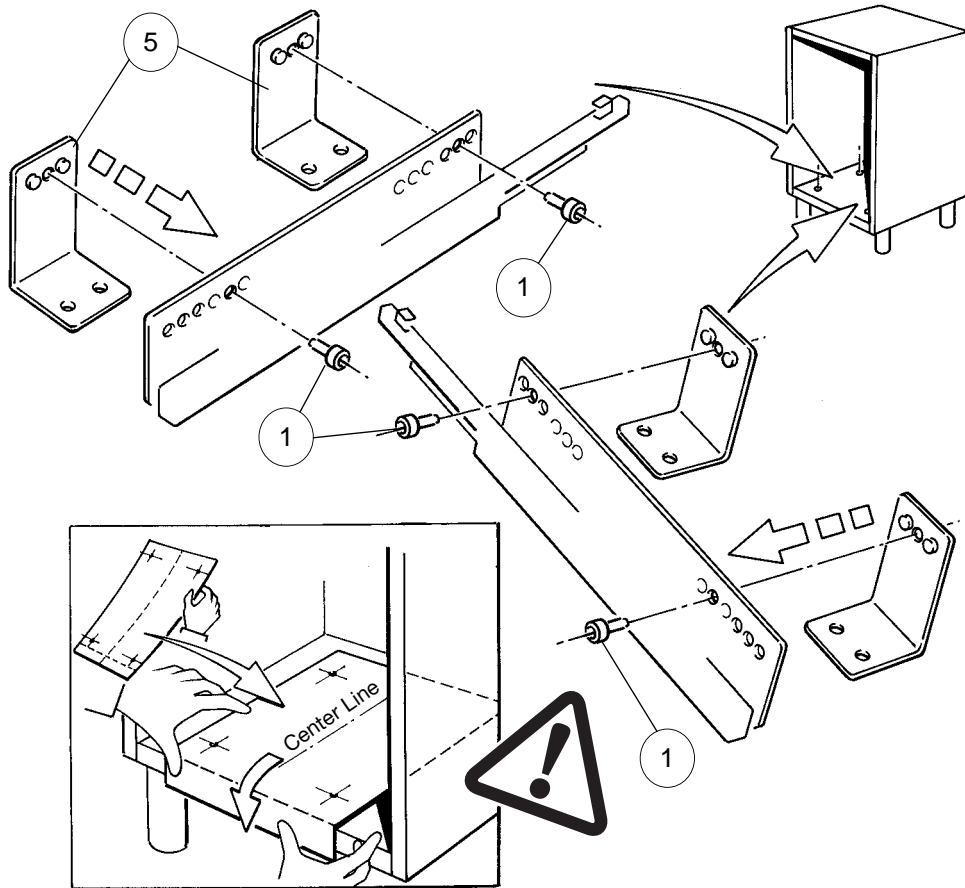




A3OISTR00201 April, 2003

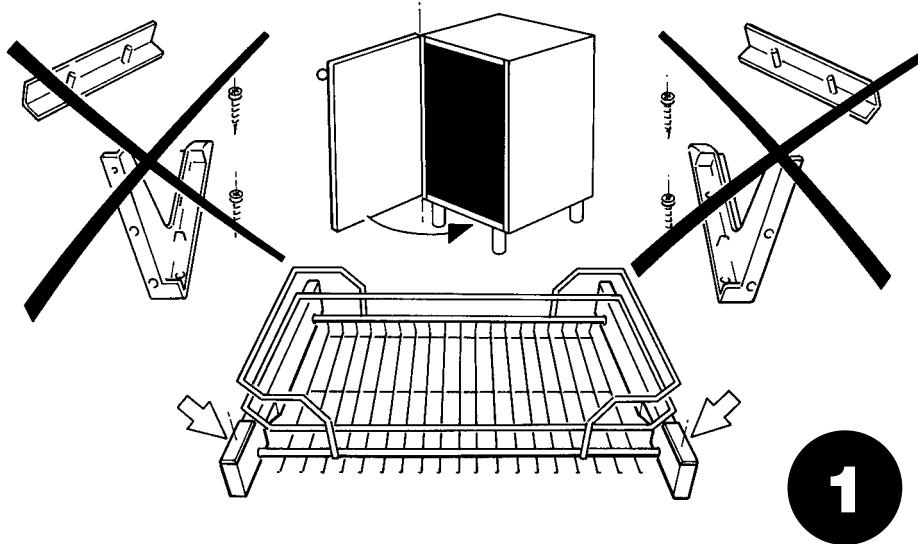


BOTTOM APPLICATION



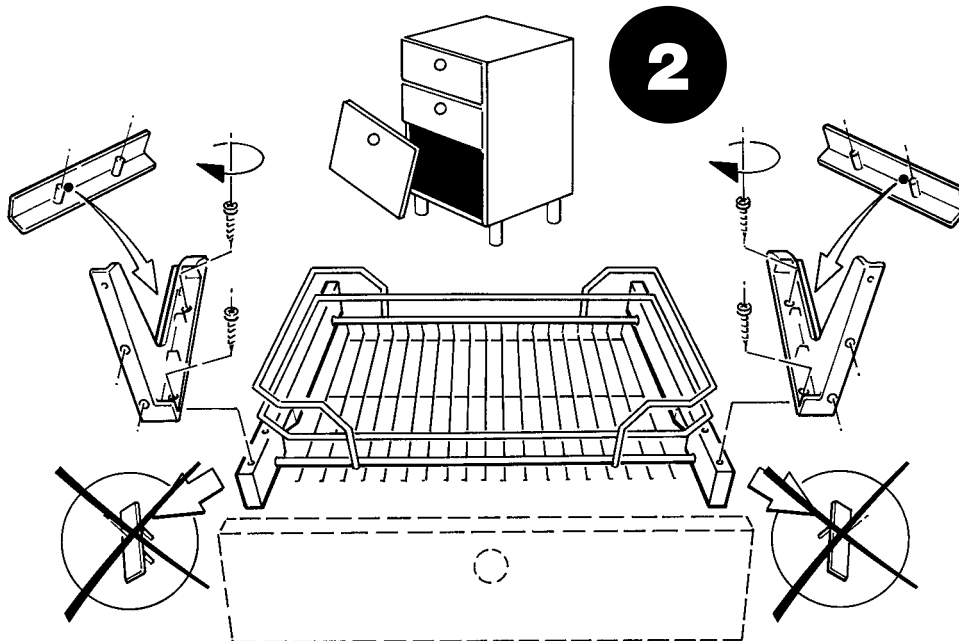
1. Fix Brackets to slides
2. Fix slides to bottom cabinet referring to template

FRONT DOOR WITH HINGES

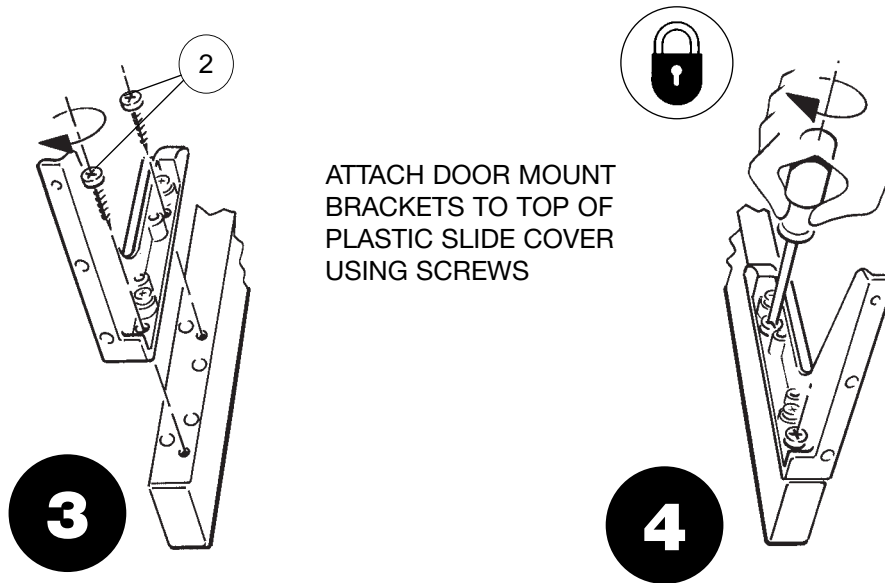


INSTALL RECTANGULAR COVER OVER PLASTIC SLIDE COVER

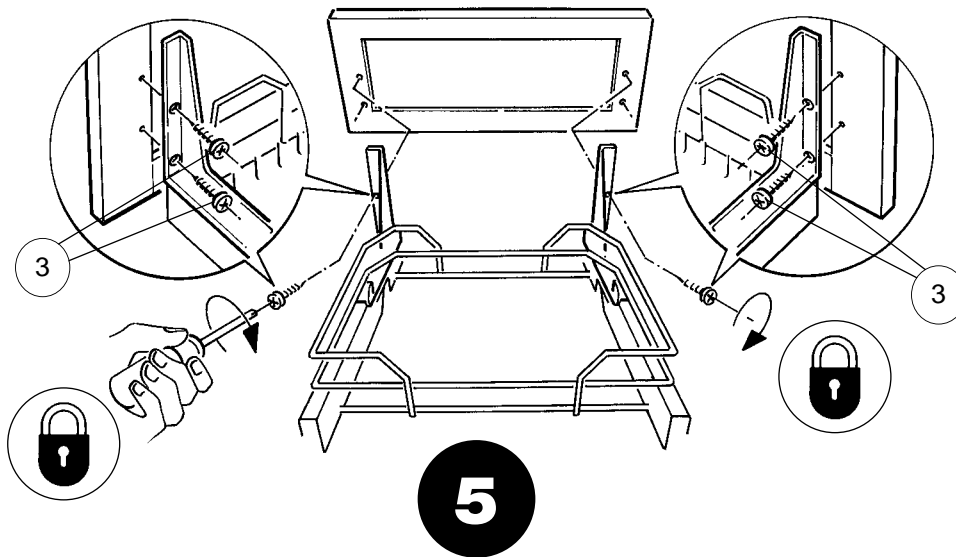
FRONT DOOR APPLIED TO PULL-OUT BASKET



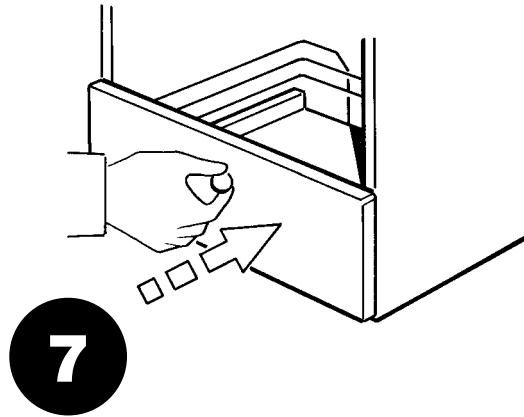
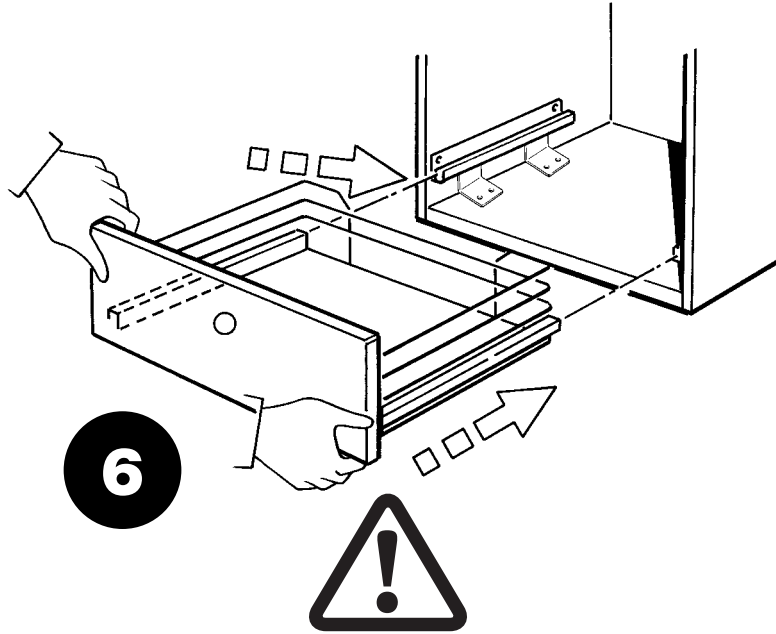
3



ATTACH DOOR MOUNT BRACKETS TO TOP OF PLASTIC SLIDE COVER USING SCREWS



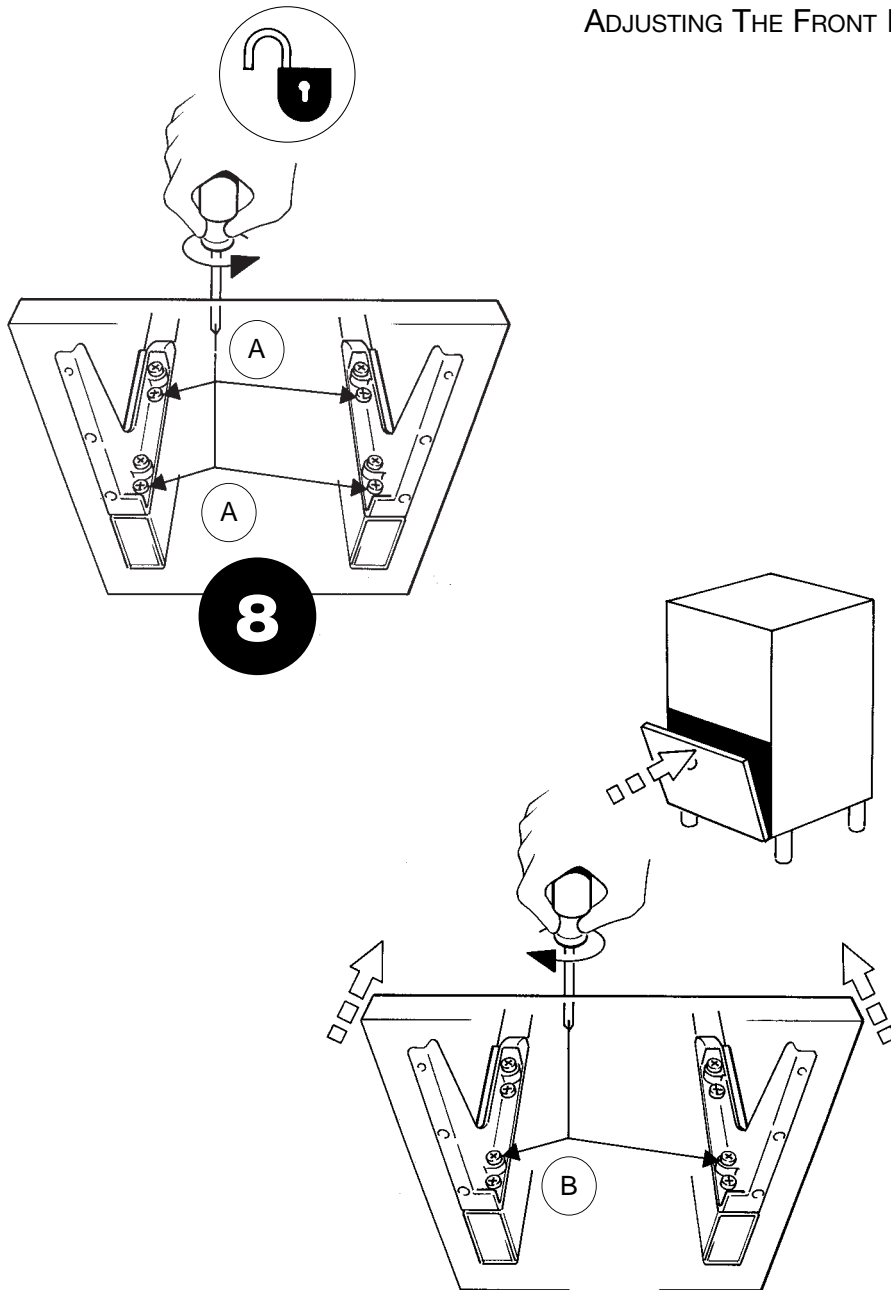
ATTACH BASKET WITH BRACKETS TO CABINET DOOR. BE SURE UNIT IS CENTERED SIDE TO SIDE AND AT THE PROPER HEIGHT TO ALLOW PROPER OVERHANG OF DOOR AT TOP AND BOTTOM.



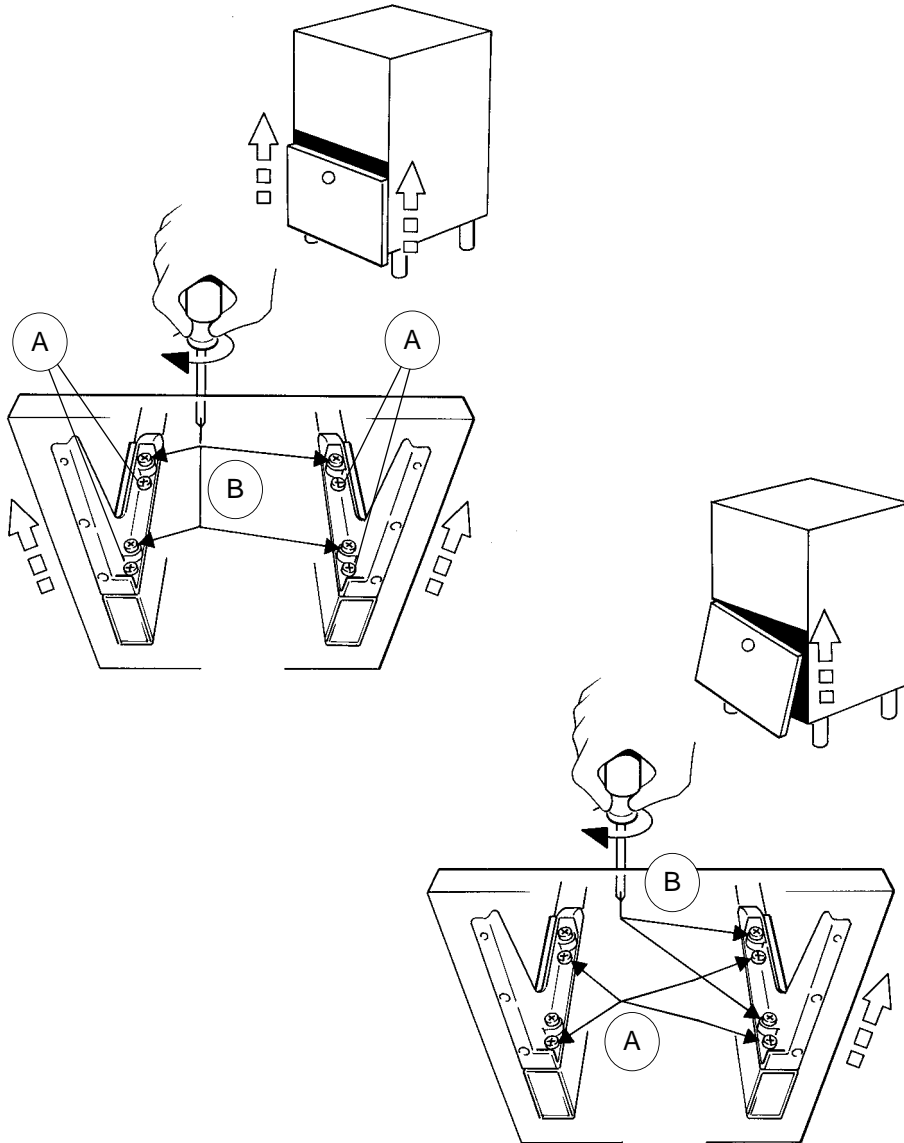
WITH SLIDES IN CLOSED POSITION, SET UNIT ON SLIDES AND PUSH IN AS FAR AS IT WILL GO. THIS WILL ENGAGE LOCK ON TO SLIDES.

5

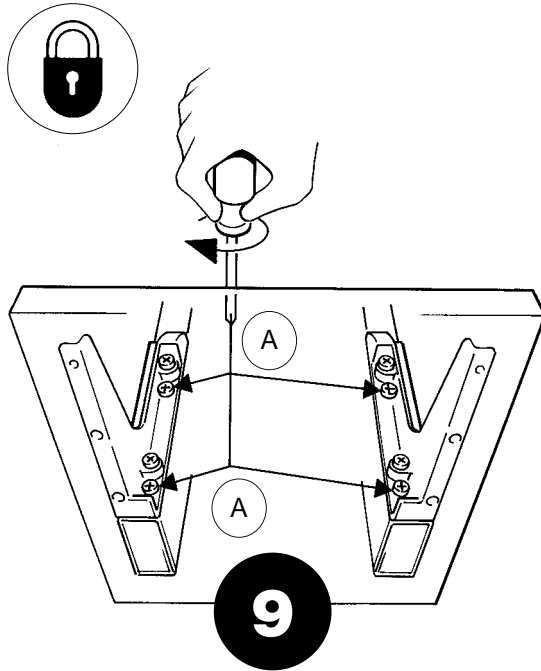
ADJUSTING THE FRONT DOOR



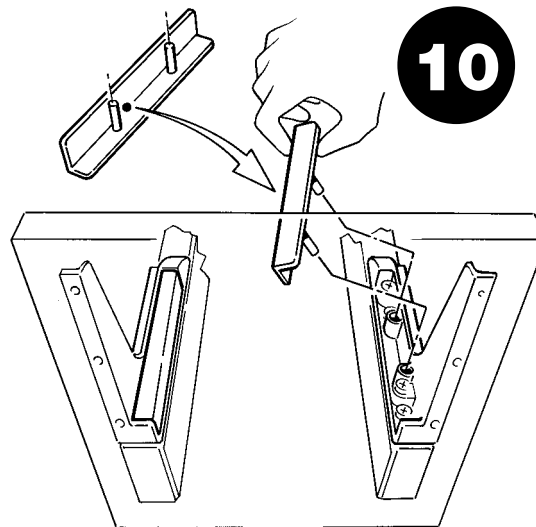
WHEREAS TO TILT TOP OF DOOR OUT,
LOOSEN ATTACHMENT SCREWS (A), TIGHTEN
BACK ADJUSTMENT SCREWS (B)



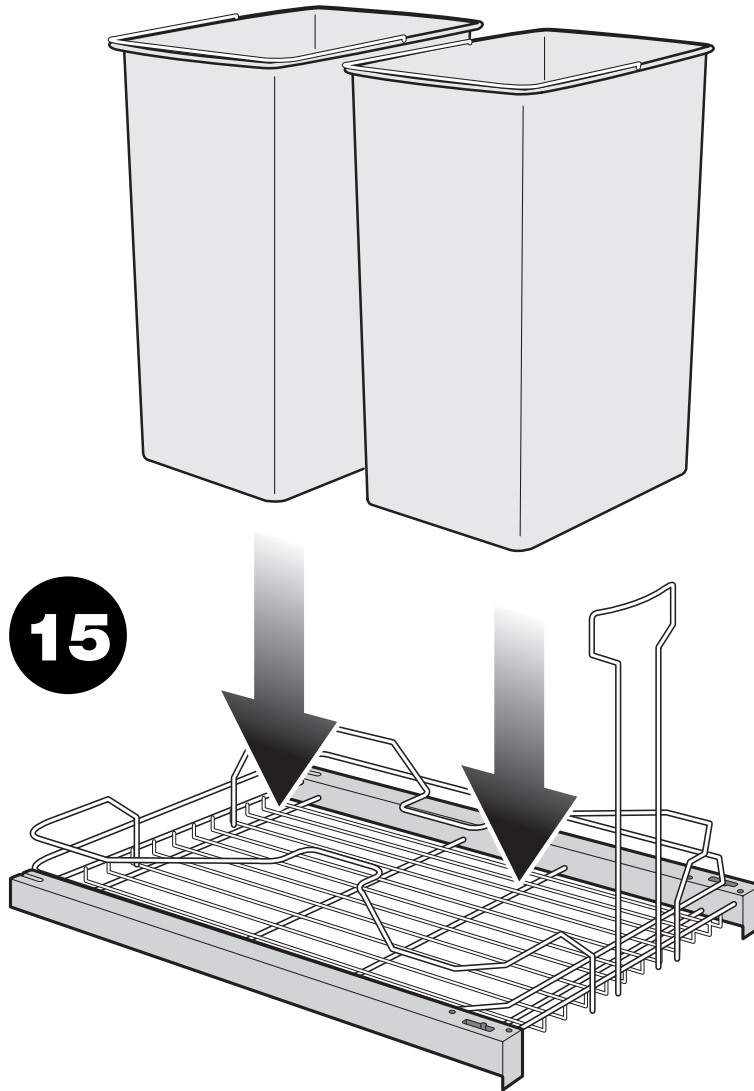
TO RAISE DOOR, LOOSEN ATTACHMENT SCREWS (A) AND TIGHTEN ADJUSTMENT SCREWS (B). TO LEVEL DOOR, RAISE LOW SIDE ONLY UNTIL DOOR IS LEVEL.



RE-TIGHTEN
ATTACHMENT SCREWS (A).

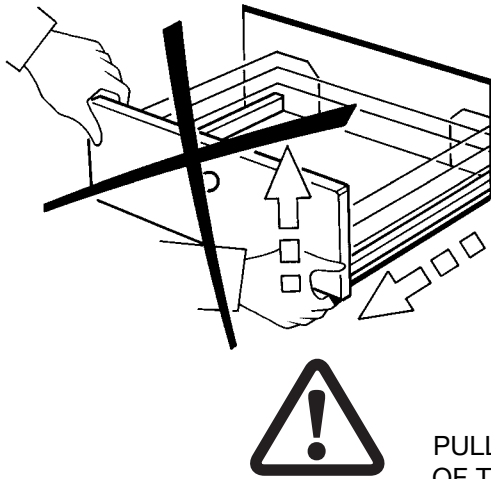


INSTALL SNAP ON COVER OVER ATTA-
CHMENT AND ADJUSTMENT SCREWS.



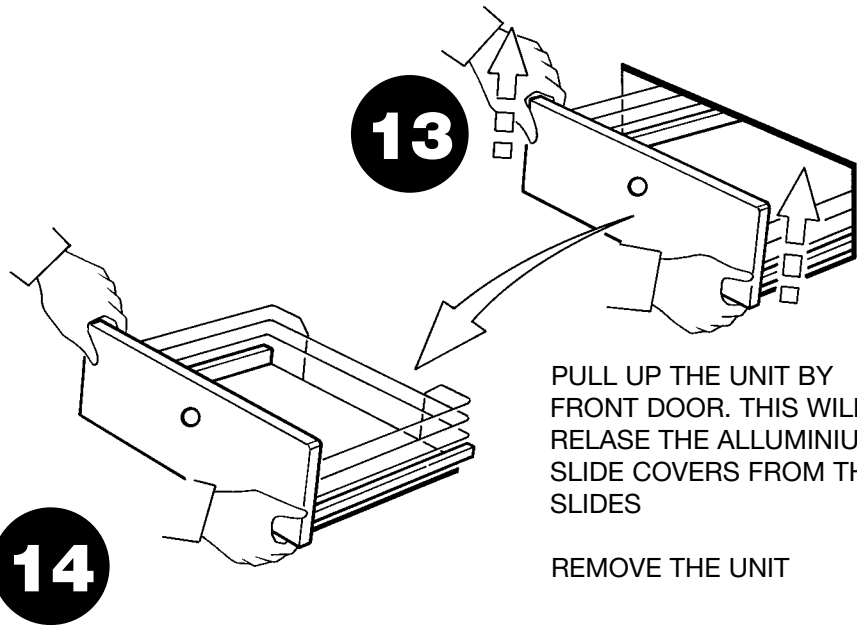
INSTALL THE PLASTIC CONTAINERS INTO THEIR APPROPRIATE PLACES

REMOVING THE UNIT



12

PULL UP THE UNIT NO MORE THAN 1/3 OF THE DEPTH (7" APPROX.)



13

PULL UP THE UNIT BY FRONT DOOR. THIS WILL RELEASE THE ALLUMINIUM SLIDE COVERS FROM THE SLIDES

REMOVE THE UNIT

14