

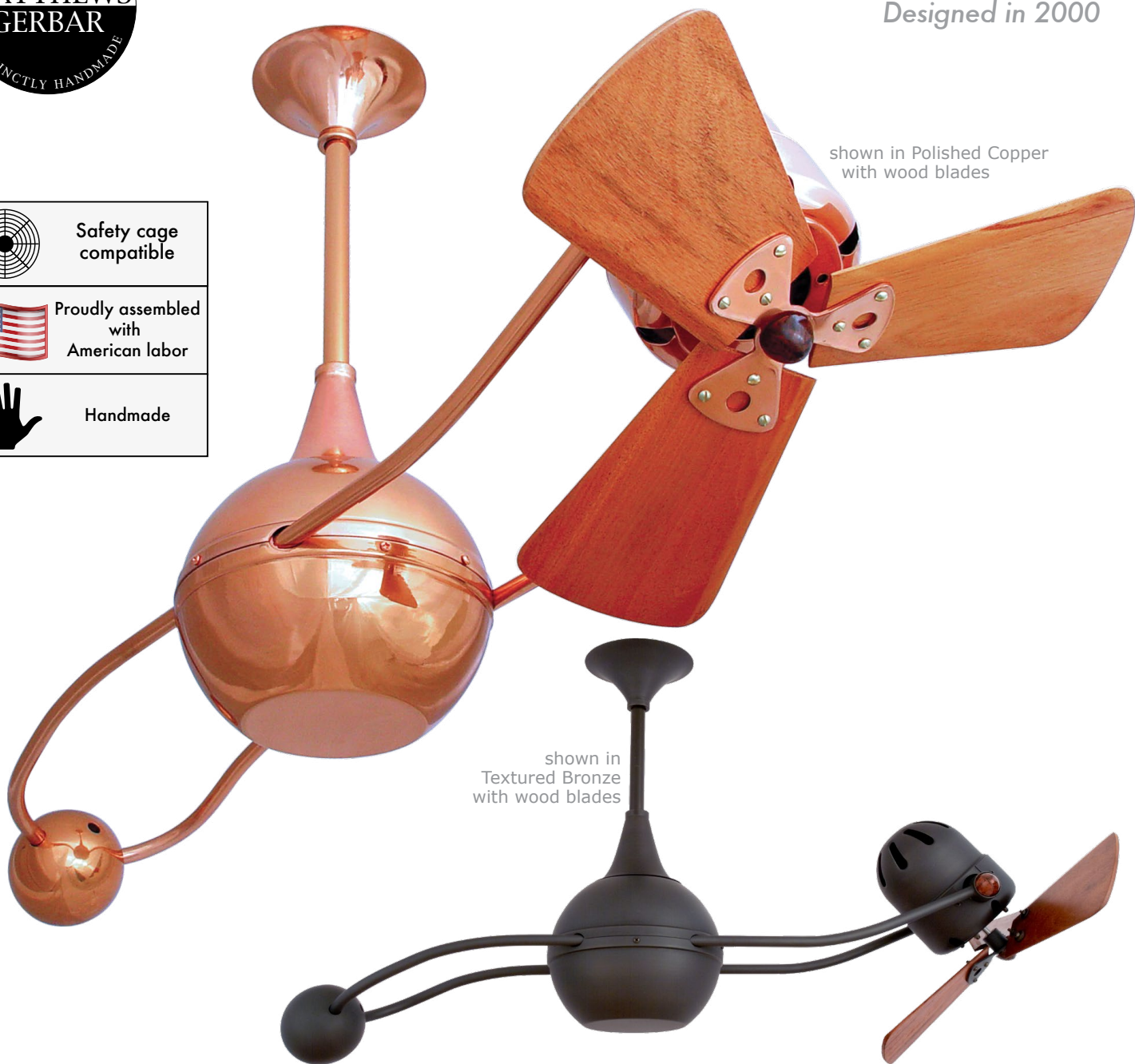


Brisa 2000

Designed in 2000

	Safety cage compatible
	Proudly assembled with American labor
	Handmade

shown in Polished Copper with wood blades



shown in Textured Bronze with wood blades

Like satellites orbiting a planet, the Brisa's select mahogany blade head and lunar counterweight gently revolve 360° about its spherical gear housing. The fan head can be infinitely positioned in a 180-degree arc for optimum air movement; the greater the angle of the motor to the horizontal support rods (up or down), the faster the axial rotation. A slow, controlled axial rotation is achieved by both fan head position and fan blade speed. Matthews 360° rotational fans circulate heat and air conditioning more efficiently than traditional paddle fans. Constructed of cast aluminum, heavy spun and stamped steel, the Brisa carries a limited lifetime warranty.

Current specification sheets can be found at MatthewsFanCo.com. (01_2018)

Matte Black	Bronze (Plate)	Bronzette (Powdercoat)
Brushed Nickel	Polished Chrome	Polished Copper

Standard Finishes

Brushed Brass	Polished Brass	Agua Marinha	Safira	Ametista	Ouro
Brushed Copper	Polished Chrome Damp	Jade	Esmeralda	Citrino	Rubi
Brushed Nickel Damp	Gloss White	Black Nickel			

Special Order Finishes

Brisa 2000

TECHNICAL SPECIFICATIONS

FAN SPECIFICATIONS

Fan Head Options	Solid Mahogany Wood ¹	Metal with Guard
Fan Diameter	40 inches / 102 cm	39 inches / 99 cm
Fan Blade Diameter	16 inches / 41 cm	13 inches / 33 cm
Guard Options	No Cage Option	Decorative Cage or Safety Cage with tight tines ²
Blade Pitch	19°	31°
CFM	2376	1265
Watts	52.44	55.15
CFM / Watt	45.31	22.94
Fan Weight	21 lbs	
Voltage	110 or 220	
Motor Type	AC	
Downrods Lengths Field cuttable. Non-threaded	inches: 5, 10, 20, 30, 48, 72 centimeters: 13, 25, 51, 76, 122, 183	
Downrod Diameter	.75 inch	
Overall Drop	10 inches / 25 cm + downrod length	
Wall Control	Lutron decora-style SFS-5E fully variable	
Environment	Damp location with protective powder or clear coat only. Neither coastal, saltwater nor chlorine compatible.	
Ambience	Soothing White Noise	
Safety Certification	UL / CUL	
Warranty	Limited Lifetime	

SKU NAMING CONVENTION

SKU#	B2K-XX-XXX (Model+Finish+Fan Blade)	
Standard Finishes	Black	— BK
	Bronze	— BZ
	Bronzette	— BZZT
	Brushed Nickel	— BN
	Polished Chrome	— CR
Special Order	Polished Copper	— CP
	Brushed Brass	— BRBR
	Polished Brass	— PB
	Brushed Copper	— BRCP
	Polished Chrome Damp -	CRDAMP
	Brushed Nickel Damp -	BNDAMP
	Gloss White	— WH
	Agua Marinha	— LTBLUE
	Safira	— BLUE
	Ametista	— LTPURPLE
	Ouro	— GOLD
	Jade	— LTGREEN
	Esmeralda	— GREEN
	Citrino	— ORANGE
	Rubi	— RED
Black Nickel	— BKN	
Fan Blade	Wood Blade	— WD
	Metal Blade	— MTL

¹ Matthews' Brazilian mahogany is ecologically harvested.
² Safety cages with tight tines are for use in low ceiling applications: 7 ft in USA and 8.2 ft in Canada

STANDARD EQUIPMENT

One downrod of 10 inches / 13 cm

Flat ceiling canopy

Lutron decora-style SFS-5E variable wall switch in white

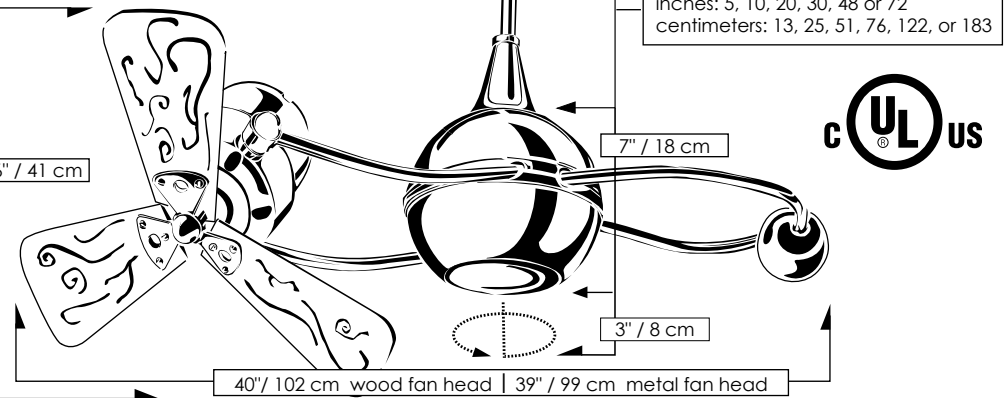


OPTIONAL EQUIPMENT

29° vaulted ceiling mount and canopy

CEILING PITCH TABLE

0/12	0 degrees
1/12	4.76 degrees
2/12	9.46 degrees
3/12	14.04 degrees
4/12	18.43 degrees
5/12	22.62 degrees
6/12	26.57 degrees
7/12	30.26 degrees
8/12	33.69 degrees
9/12	36.87 degrees
10/12	39.81 degrees
11/12	42.51 degrees



Increasing Angles of Fan Heads to Support Poles Increases Speed of Axial Rotation
 Optimum Fan Head Position is 60°

CEILING HEIGHT / DOWNROD TABLE

Ceiling Height	Downrod Lengths Field cuttable Non-threaded
10 ft or less	5 inches / 13 cm Use safety cage if applicable
10 -12 feet	10 inches / 25 cm
13 feet	20 inches / 51 cm
14 feet	30 inches / 76 cm
15 feet	48 inches / 122 cm
16 feet +	72 inches / 183 cm

