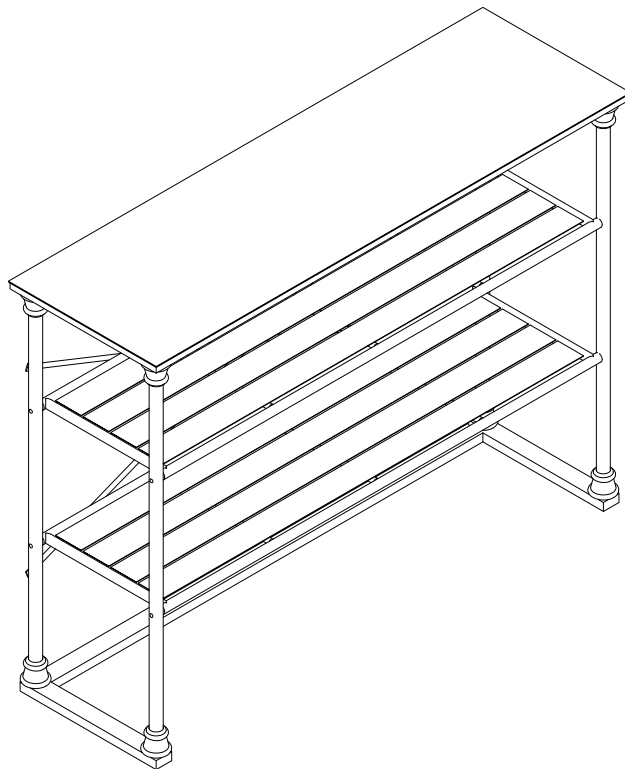
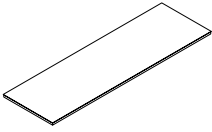
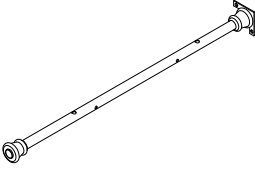
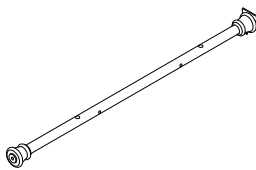
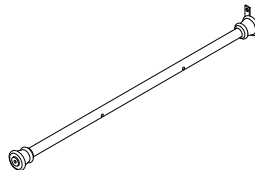
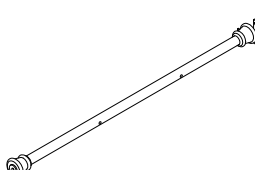
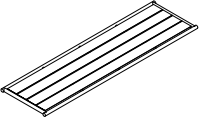
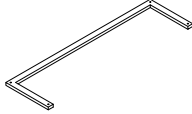
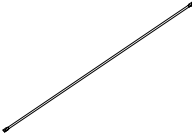
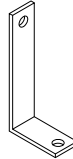




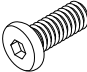
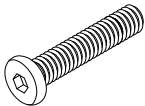


Hutch
CF6131



PART LIST

				
<p>Top Panel 1 PC</p>	<p>Back Left Leg 1 PC</p>	<p>Back Right Leg 1 PC</p>	<p>Front Right Leg 1 PC</p>	<p>Front Left Leg 1 PC</p>
				
<p>Shelf Panel 2 PCS</p>	<p>Bottom Frame 1 PC</p>	<p>X Rail 2 PCS</p>	<p>L Connector 2 PCS</p>	

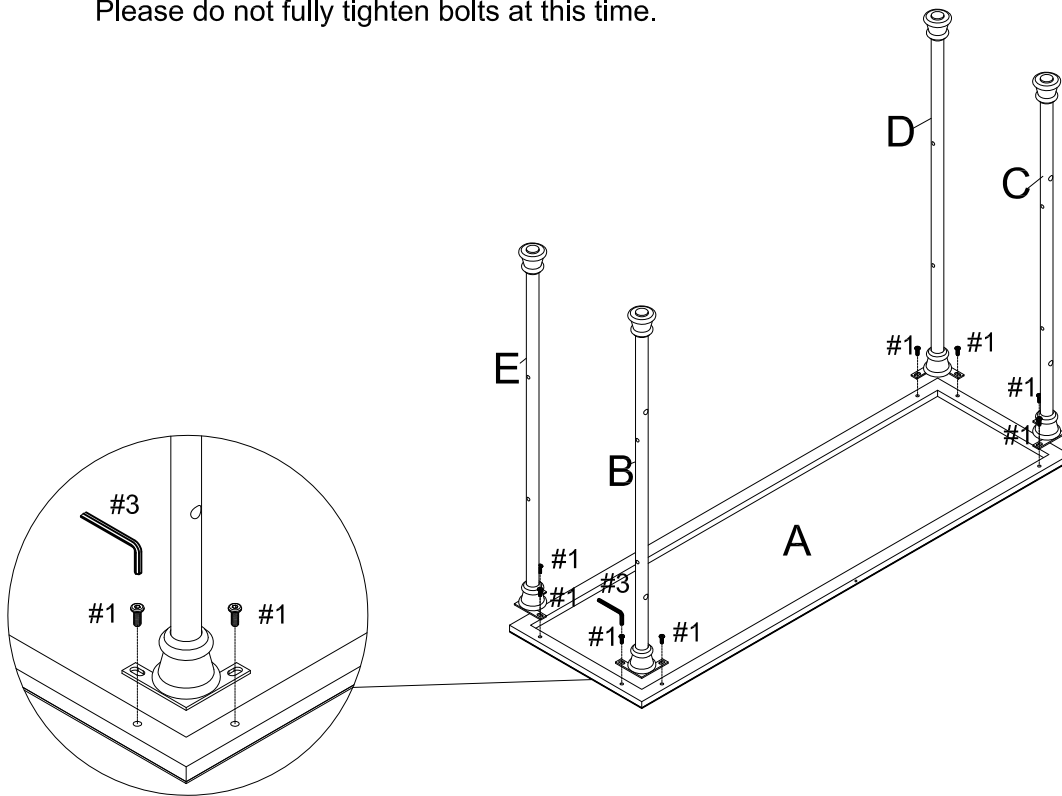
HARDWARE LIST

			
<p>1/4' x 1/2"L Bolt 16 PCS (Extra 1)</p>	<p>1/4' x 1-3/4"L Long Bolt 12 PCS (Extra 1)</p>	<p>Allen Wrench 1 PC</p>	<p>Safety Strap Kit 1 SET</p>

Step 1. Carefully lay top panel (part A) upside down on a flat, soft surface, such as carpet. Attach legs (parts B, C, D & E) to top panel (part A) using bolts (part #1) and allen wrench (part #3).

Note: The anti-collapse hole on top panel (part A) should be on the same side as back legs (parts B & C).

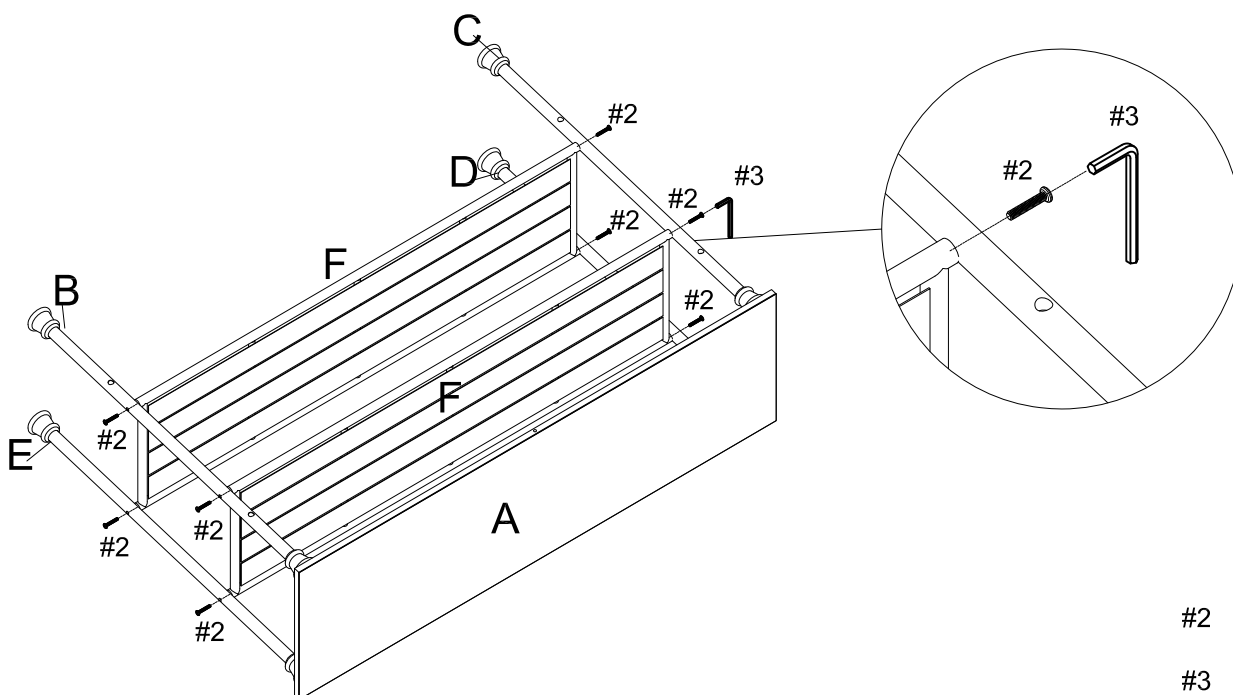
Please do not fully tighten bolts at this time.



- #1  x 8
- #3  x 1

Step 2. Lay down assembled unit on its side. Attach shelf panels (part F) to legs (parts B, C, D & E) using long bolts (part #2) and allen wrench (part #3).

Note: Please do not fully tighten bolts at this time.

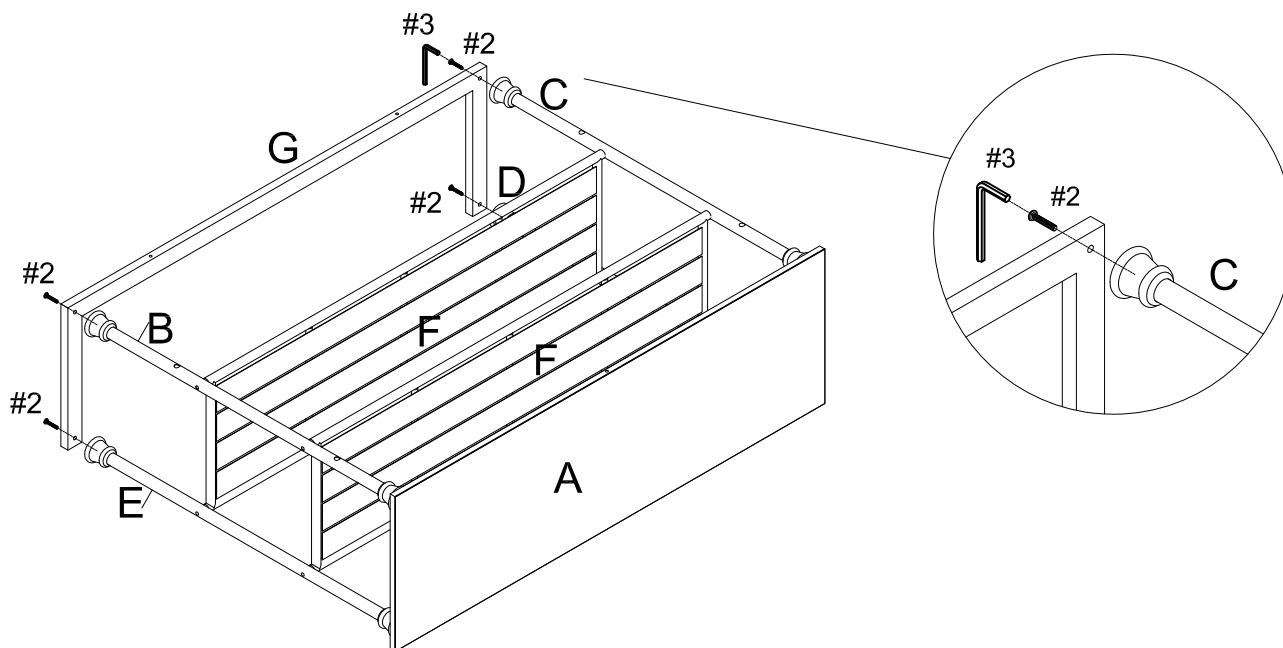


- #2  x 8
- #3  x 1

Step 3. Attach bottom frame (part G) to the legs (parts B, C, D & E) using long bolts (part #2) and allen wrench (part #3).

Note: The predrilled holes on bottom frame (part G) should be on the same side as back legs (parts B & C).

Please fully tighten all bolts at this time.

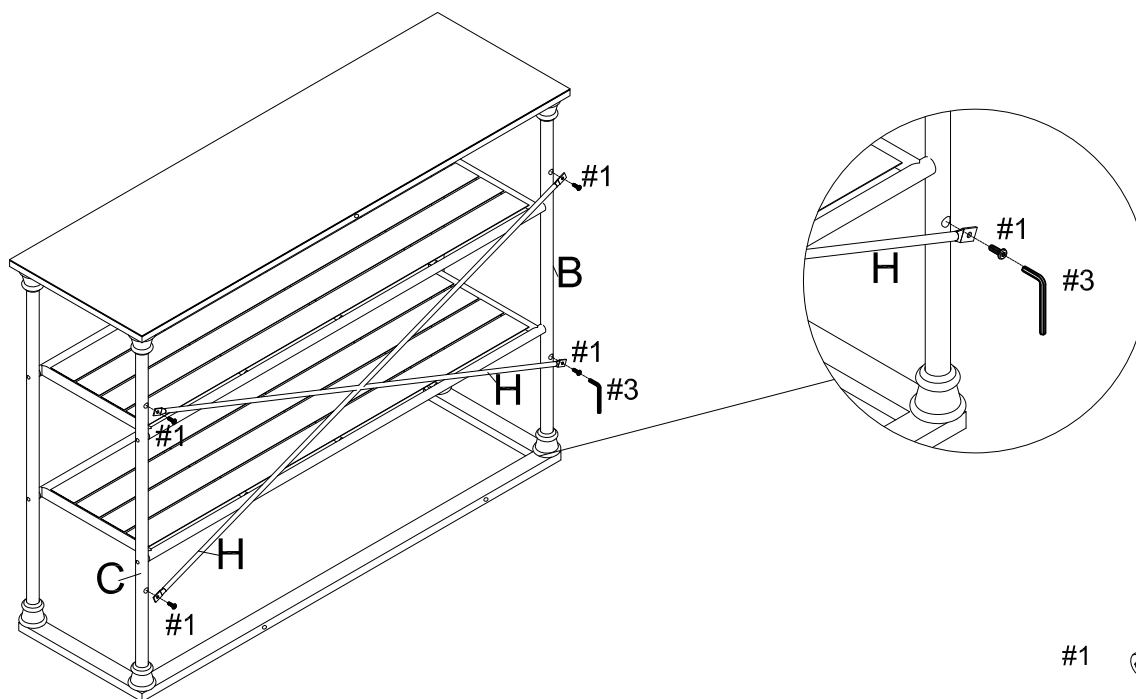


#2  x 4

#3  x 1

Step 4. Carefully turn unit upright. Attach X rails (part H) to back legs (parts B & C) using bolts (part #1) and allen wrench (part #3).

Note: Please fully tighten all bolts at this time.

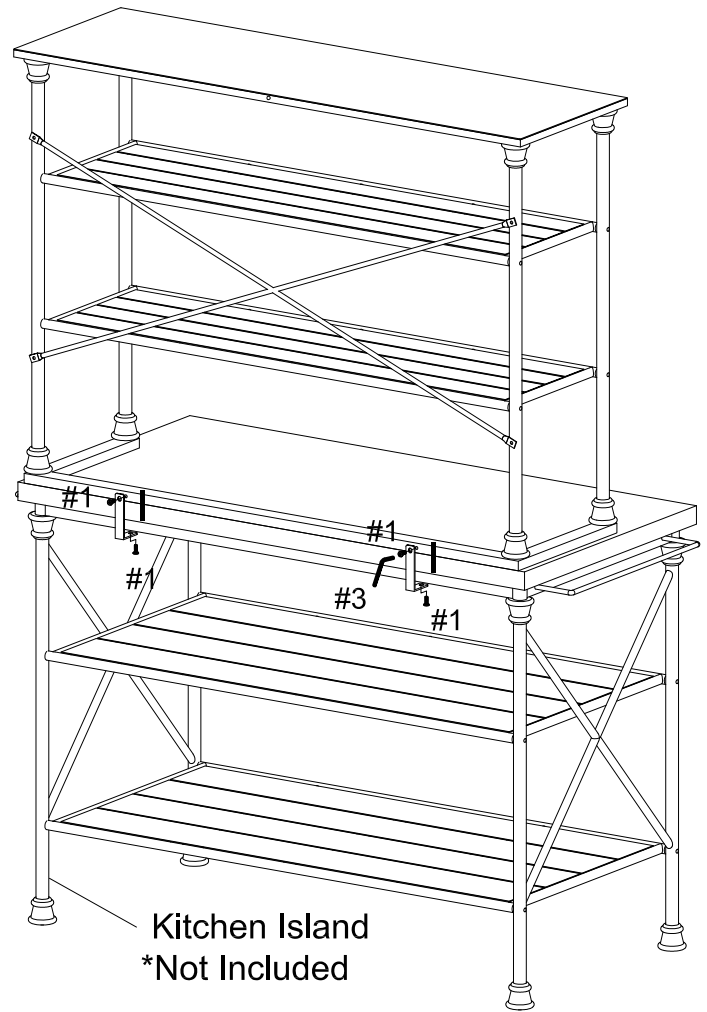
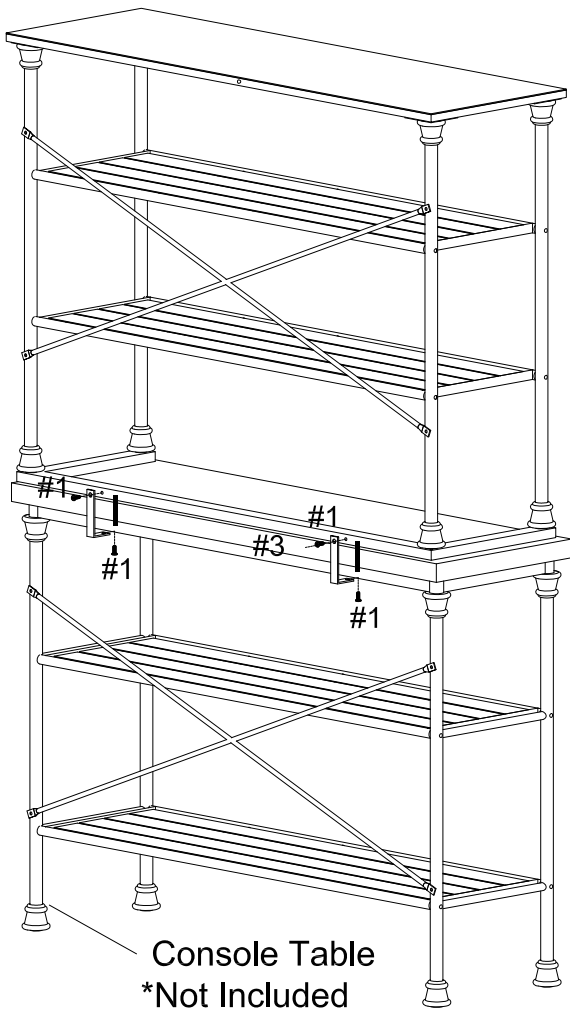
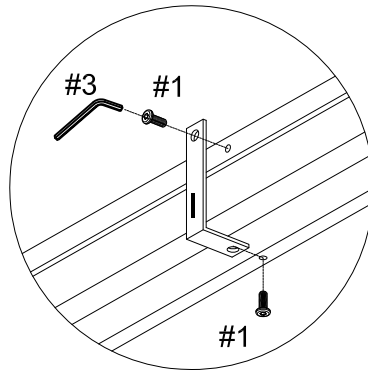


#1  x 4

#3  x 1


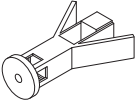




Step 5. Carefully place hutch on console table or kitchen island. Attach L connectors (part I) between hutch and console table or kitchen island (*Not Included) using bolts (part #1) and allen wrench (part #3).

Note: Please fully tighten all bolts at this time.



#1  x 4

#3  x 1

#4	A	B	C	D	E
					
Safety Strap Kit 1 SET	Wall Anchor 1 PC	Hook 2 PCS	D8 x 1-1/2" Screw 1 PC	D10 x 1/2" Bolt 1 PC	Safety Wall Strap 1 PC

SAFETY WALL STRAP INSTALLATION

Note: It is highly recommended to install this safety strap kit to prevent tipping, damage and/or injury.

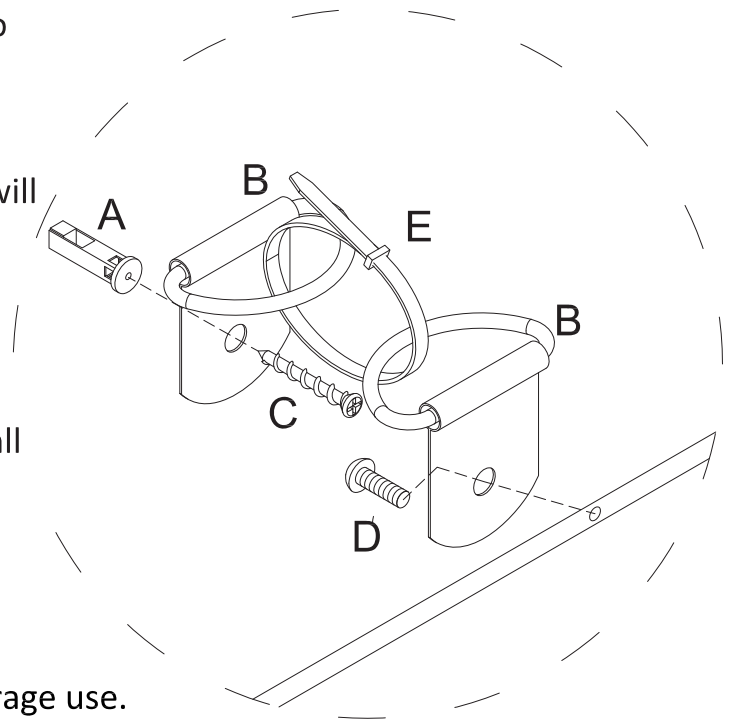
1) Insert bolt (D) through hook (B) and attach to predrilled hole on top panel (part A) using a philips head screwdriver.

2) Drill 11/32" hole in the wall where this unit will be secured. The drilled hole will be at the same height as the hole in top panel (part A) where hook (B) was attached. Tap wall anchor (A) into the drilled hole.

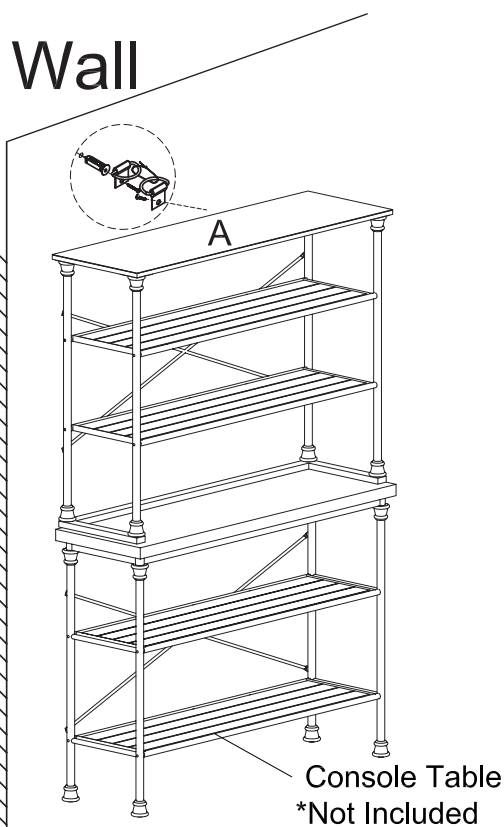
3) Insert screw (C) through hook (B) into the wall anchor (A) using a philips head screwdriver.

4) Insert safety wall strap (E) through both hooks (B) and tighten to secure.

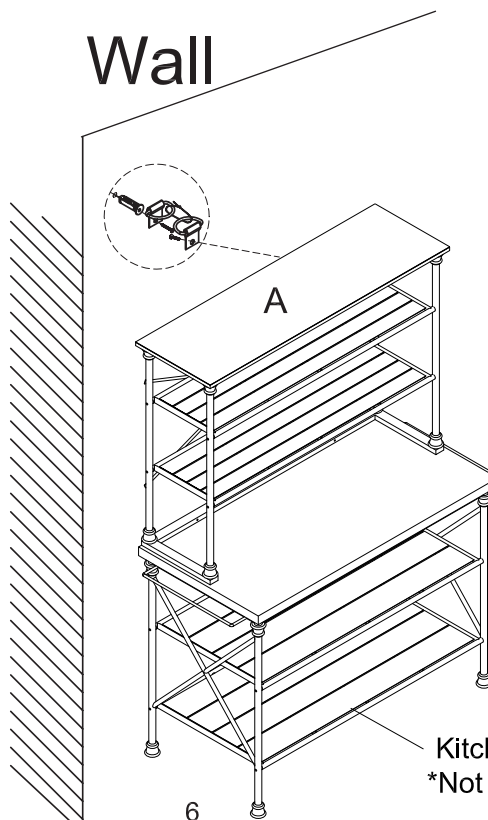
Note: This item is not intended for clothing storage use.



Wall



Wall



Kitchen Island

*Not Included

kitchensource.com

1.800.667.8721