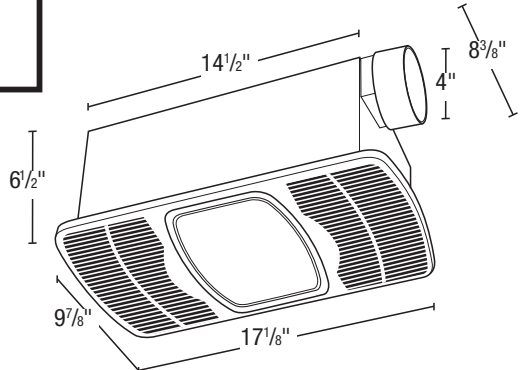




**SPECIFICATIONS**  
**AK965L**  
**HEATER WITH EXHAUST FAN**

**HVI 2100 CERTIFIED** **70 CFM/3.5 Sones @ 0.10" SP.**



- **Grill**  
White, polymeric grill (flame retardant ABS UL rated 94-5V) secured in place using 2 hex nuts that can be easily removed if necessary, dimensions - 17 1/8" x 9 7/8".
- **Light Lens**  
Moonstone glass lens, installed in a flip down lens holder. Secured in place using integral tabs.
- **Blower Wheel**  
Heater blower wheel - one piece metal electronically balanced, 3 5/8" x 2" with 28 fins.  
Ventilation blower wheel - one piece polymeric electronically balanced, 3 7/8" x 2 1/2" with 21 fins.
- **Motors**  
Heater motor - Heavy duty, plug in 2 pole motor. Life time lubrication, thermally protected. Rated 120 volts, 60 hz.  
Ventilation motor - Heavy duty, plug in 2 pole motor. Life time lubrication, thermally protected. Rated 120 volts, 60 hz.
- **Heater Housing**  
23 gauge galvanized steel housing. Dimensions 14 1/2" x 9 7/8" x 7 1/8".
- **Heating Element**  
Wire coil, secured in place by ceramic "J" shaped hooks and terminated by bolt and nut in cylindrical standoffs. Housed in an all metal enclosure. Rated 1500 watts - 5120 BTU.
- **Controls**  
Includes 2 - dual toggle switches.

- **Duct**  
4" round, zinc plated metal collar adapter with aluminum backdraft damper.
- **Ventilating Area**  
For bathrooms up to 70 sq. ft. For other rooms up to 85 sq. ft.
- **Lamping Information** (lamps not included)  
Main Lighting: 100 Watt maximum type A19 incandescent or 26 Watt maximum, medium base self ballasted lamp.  
Night Lighting: 7 watt maximum, type C7, candelabra base bulb.
- **Unit Mounting**  
Designed for ceilings insulated to R-40. Designed to mount in ceilings with at least 7 1/2" of clearance. The unit will mount between joists (with 16" centers) or butted up against a joist. The housing will mount through drywall thickness up to 3/4", with a rough in opening of 14 3/4" x 8 5/8".
- **Single Pack Shipping Info**  
Box Dim: 21 1/2" x 11 1/2" x 9 1/2"  
UPC: 0-8316290039-5  
Shipping Weight: 16.09 lbs.

**EXPANDED PERFORMANCE**

	Static Pressure (inches of w.g.)							Sones @ .1 SP	Fan Speed RPM	Maximum Fan Watts	Amps
	0	0.05	0.1	0.15	0.2	0.25	0.3				
<b>Air Flow - CFM</b>	77	74	70	68	65	61	57	3.5	2450	51.0	14.2

<b>PROJECT</b>				<b>ARCHITECT</b>					
<b>LOCATION</b>				<b>ENGINEER</b>					
<b>CONTRACTOR</b>				<b>SUBMITTED BY</b>			<b>DATE</b>		
FAN NUMBER	MODEL NUMBER	CFM	IN W.G.	RPM	WATTS	AMPS	SONES	QTY	OPTIONAL EQUIPMENT & REMARKS

