

2-ROCKER & 3-ROCKER SWITCHES

WARNING

ALL ELECTRICAL WORK MUST BE DONE IN ACCORDANCE WITH LOCAL CODES, ORDINANCES, OR NATIONAL ELECTRICAL CODE AS APPLICABLE. **FOR SAFETY, THIS PRODUCT MUST BE INSTALLED IN A GROUNDED SWITCH BOX.** IF YOU ARE UNFAMILIAR WITH METHODS OF INSTALLING ELECTRICAL WIRING, SECURE THE SERVICES OF A QUALIFIED ELECTRICIAN.

Turn off power and lock out service panel before installing or wiring this product.

INSTALLATION

1. WARNING

To avoid fire or electrical shock, turn off power at circuit breaker or fuse. Test that the power is off before wiring.

2. MOUNT THE SWITCH BOX

Install at least a 2-1/2" deep switch box for 14 gauge wire or at least a 2-3/4" deep switch box for 12 gauge wire.

3. ATTACH POWER CABLE

Connect cables to switch box and appliance using appropriate connectors. Provide 6" leads inside box and appliance.

4. CONNECT WIRING

General instructions for all configurations:

Remove insulation per strip gauge on control (approximately 1/2") and insert **SOLID COPPER WIRE ONLY** into appropriate holes (BLACK (line hot) TO COMMON TERMINAL" HOLE). Make sure both the switch box and the appliance are properly grounded.

Choose 4A., 4B. or 4C

4A. When using 2-Rocker or 3-Rocker Switch to turn an appliance ON & OFF:

Make electrical connections following appropriate diagram.

(over)

WARNING

To prevent serious injury from electrical shock or damage to electrical components - **DO NOT WIRE HOT!**

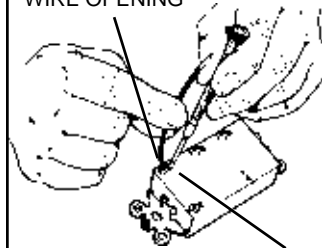
Each individual rocker switch on this control is rated at 15 AMPS, @ 120 VAC. The total load on this control must not exceed 20 AMPS, @ 120 VAC.

Warranty is void if miswired.

NOTE: If the switch has not been wired properly and wires need to be moved, proceed as follows:

WARNING: To avoid fire or electrical shock, turn off power at circuit breaker or fuse. Test that the power is off before wiring.

WIRE OPENING

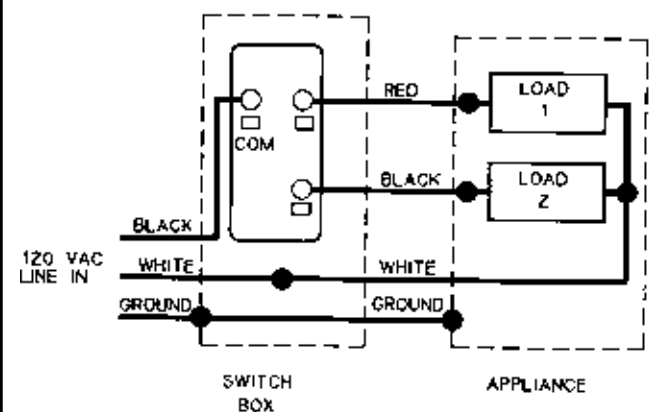


RELEASE SLOT

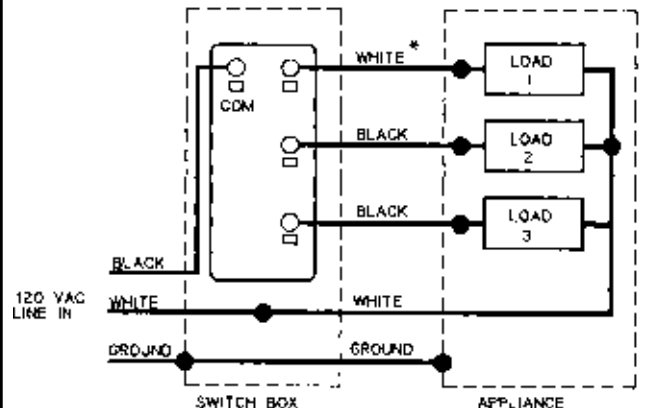
1. Each wire opening has a release slot.
2. Push a small nail or screwdriver into release slot while gently removing wire.
3. DO NOT pull any wire out of the switch without using the release slot. The switch may become damaged.

STEP 4A

2 - ROCKER SWITCH



3 - ROCKER SWITCH



* CODE REQUIRES BOTH ENDS OF THIS WIRE'S INSULATION TO BE COLORED BLACK, SINCE IT IS SWITCHED. USE A FELT TIPPED MARKER.

4B. When using a 2-Rocker Switch to turn a range hood ON & OFF from another location with 120 VAC POWER CABLE ENTERING SWITCH BOX:

Remove the range hood's wiring cover. If the hood has a BLACK JUMPER WIRE, it must be cut and the end stripped as shown. (FIG. 1)

Use UL approved connectors to secure all cables to hood and box. Make wiring connections following appropriate diagram. Replace range hood wiring cover.

4C. When using a 2-Rocker Switch to turn a range hood ON & OFF from another location with 120 VAC POWER CABLE ENTERING HOOD:

Remove the range hood's wiring cover. If the hood has a BLACK JUMPER WIRE, it must be cut and the end stripped as shown. (FIG. 1)

Use UL approved connectors to secure all cables to hood and box. Make wiring connections following appropriate diagram. Replace range hood wiring cover.

5. MOUNT CONTROL IN SWITCH BOX

Tuck wires into switch box and fasten the control to box using attached screws.

6. ATTACH SWITCH PLATE

Fasten the switch plate to the control using the short screws from the parts bag.

*** 2-SPEED RANGE HOODS:**

Broan 40000, 41000 & 42000 Series, Nautilus NN, NP, NV, NW, NX & NZ Series and Air Care AC1260Q, AC1260R, AC1270Q, AC1270R, AC1290Q & AC1290R Series

**** INTERMEDIATE RANGE HOODS:**

Broan 75000 & 76000 Series, Nautilus NJ Series and Air Care AC1500 Series

BROAN-NUTONE LLC ONE YEAR LIMITED WARRANTY

Broan-NuTone LLC warrants to the original consumer purchaser of its products that such products will be free from defects in materials or workmanship for a period of one year from the date of original purchase. THERE ARE NO OTHER WARRANTIES, EXPRESS OR IMPLIED, INCLUDING, BUT NOT LIMITED TO, IMPLIED WARRANTIES OF MERCHANTABILITY OR FITNESS FOR A PARTICULAR PURPOSE.

During this one-year period, Broan-NuTone LLC will, at its option, repair or replace, without charge, any product or part which is found to be defective under normal use and service.

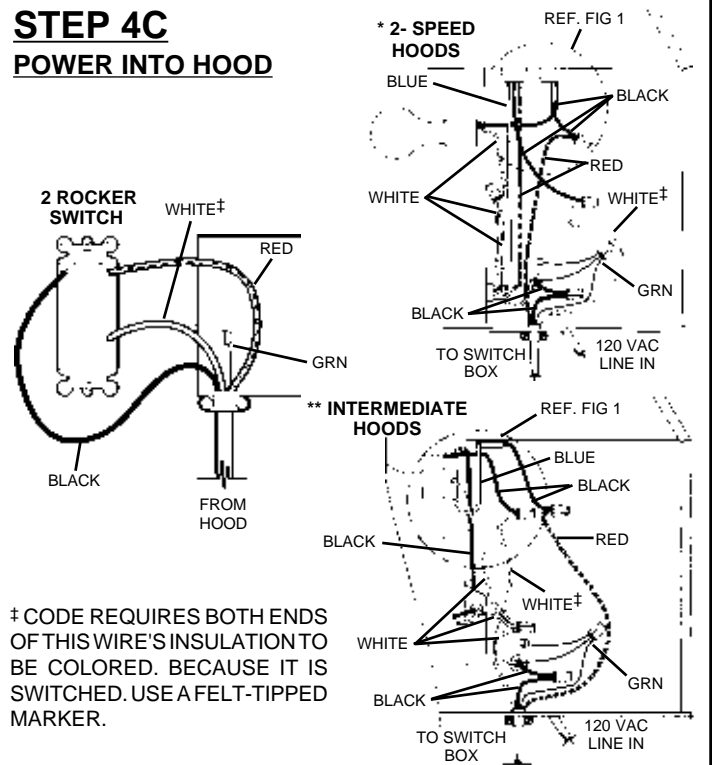
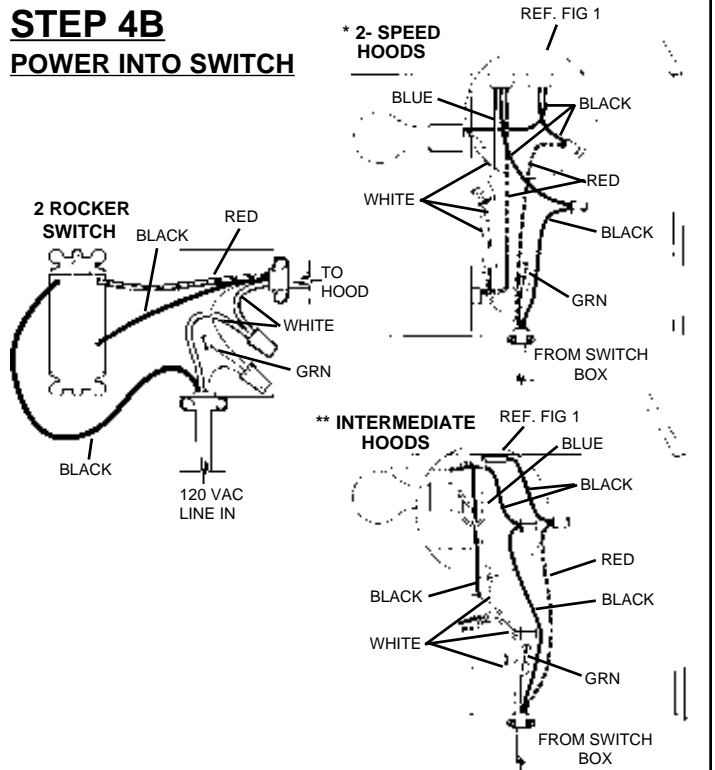
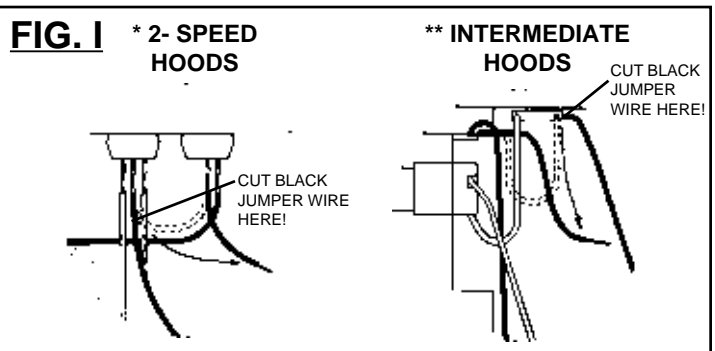
THIS WARRANTY DOES NOT EXTEND TO FLUORESCENT LAMP STARTERS AND TUBES. This warranty does not cover (a) normal maintenance and service or (b) any products or parts which have been subject to misuse, negligence, accident, improper maintenance or repair (other than by Broan-NuTone LLC), faulty installation or installation contrary to recommended installation instructions.

The duration of any implied warranty is limited to the one-year period as specified for the express warranty. Some states do not allow limitation on how long an implied warranty lasts, so the above limitation may not apply to you.

BROAN-NUTONE LLC'S OBLIGATION TO REPAIR OR REPLACE, AT BROAN-NUTONE LLC'S OPTION, SHALL BE THE PURCHASER'S SOLE AND EXCLUSIVE REMEDY UNDER THIS WARRANTY. BROAN-NUTONE LLC SHALL NOT BE LIABLE FOR INCIDENTAL, CONSEQUENTIAL OR SPECIAL DAMAGES ARISING OUT OF OR IN CONNECTION WITH PRODUCT USE OR PERFORMANCE. Some states do not allow the exclusion or limitation of incidental or consequential damages, so the above limitation or exclusion may not apply to you.

This warranty gives you specific legal rights, and you may also have other rights, which vary from state to state. This warranty supersedes all prior warranties.

To qualify for warranty service, you must (a) notify Broan-NuTone LLC at the address stated below or telephone: 1-800-637-1453, (b) give the model number and part identification and (c) describe the nature of any defect in the product or part. At the time of requesting warranty service, you must present evidence of the original purchase date.



‡ CODE REQUIRES BOTH ENDS OF THIS WIRE'S INSULATION TO BE COLORED. BECAUSE IT IS SWITCHED. USE A FELT-TIPPED MARKER.

PK92824-10-00-00 A4

99041771F