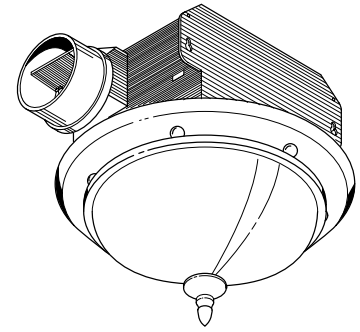




**SPECIFICATION SHEET**

**MODELS 754RB, 754SN  
DECORATIVE LIGHT / FANS**



A powerful ventilating fan with the look of an elegant glass light fixture.

**FEATURES**

**LIGHT FIXTURE:**

- Corrosion resistant finish
- Oil-rubbed bronze finish (Model 754RB)
- Satin nickel finish (Model 754SN)
- Frosted glass shade
- Close mount design
- Uses two 60 Watt maximum, candelabra base bulbs. Bulbs not included.
- Vent openings in fixture base for exhaust fan
- Light fixture assembly is plug-in and removable

**BLOWER:**

- Plug-in permanently lubricated motor
- Polymeric blower wheel

**HOUSING:**

- Rugged, 26-gage galvanized steel construction
- Sturdy key-holed mounting brackets for quick, accurate installation
- Tapered, polymeric duct fitting with built-in backdraft damper for easy, positive duct connection and no metallic clatter

NOTE: For installation in flat ceilings only.

U.L. Listed for use in insulated ceilings (Type I.C.)

Use supply wiring rated for at least 90° C

**SPECIFICATIONS**

VOLTS	AMPS	CFM	SONES	DUCT
120	2.2	70	3.5	4" Round

**TYPICAL SPECIFICATION**

Decorative Light/Fan unit shall be Broan Model 754RB (754SN).

Unit shall have galvanized steel housing with dual integral mounting brackets. It shall be ducted to a roof or wall cap.

Blower assembly shall be removable and have a permanently lubricated motor.

Light fixture assembly shall be plug-in, removable and include a frosted glass shade and a corrosion-resistant base with oil-rubbed bronze finish (Model 754RB) or satin nickel finish (Model 754SN).

Lamps shall be two 60 Watt maximum, candelabra base, incandescent.

Air delivery to be no less than 70 cfm and sound level no greater than 3.5 sones. Air and sound ratings shall be certified by HVI.

Unit shall be U.L. Listed for use in insulated ceilings (Type I.C.)



HVI-2100 CERTIFIED RATINGS comply with new testing technologies and procedures prescribed by the Home Ventilating Institute, for off-the-shelf products, as they are available to consumers. Product performance is rated at 0.1 in. static pressure, based on tests conducted in AMCA's state-of-the-art test laboratory. Sones are a measure of humanly-perceived loudness, based on laboratory measurements.

