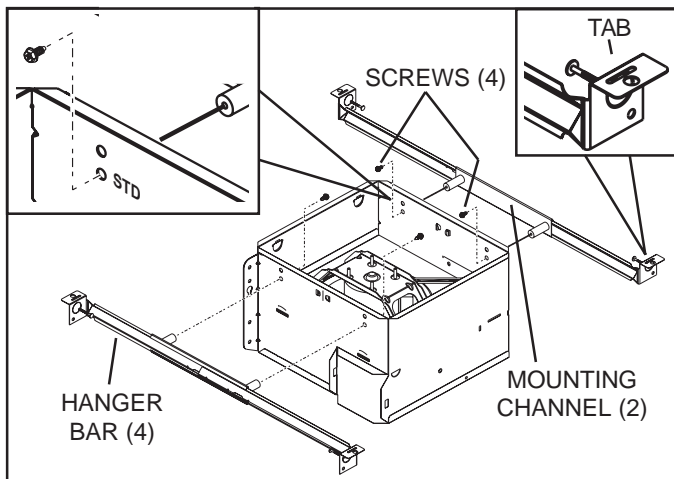


BROAN®

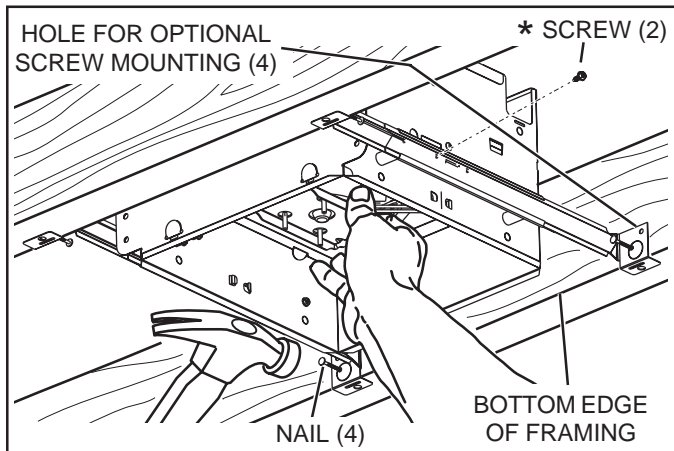
MODELS QTXE080FLT • QTXE110FLT • QTXE150FLT

1b. Mount housing anywhere between trusses, joists, or I-joists using hanger bars.

Sliding hanger bars are provided to allow for accurate positioning of housing anywhere between framing. They can be used on all types of framing (I-joint, standard joist, and truss construction) and span up to 24".



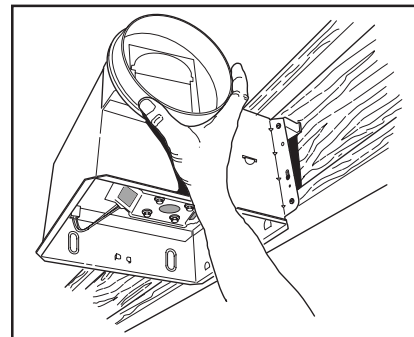
Attach the MOUNTING CHANNELS to the housing using the SCREWS supplied. Make sure TABS face "up" as shown. Use the set of channel mounting holes (marked "STD") to mount the housing flush with the bottom of the drywall. Use the other set of holes (not marked) to mount the housing flush with the top of the drywall.



Extend HANGER BARS to the width of the framing. Hold ventilator in place with the hanger bar tabs wrapping around the BOTTOM EDGE OF THE FRAMING. NAIL ventilator to framing or fasten with screws (not provided) through HOLES near nails.
 * To ensure a noise-free mount: Secure hanger bars together with SCREWS or use a pliers to crimp mounting channels tightly around hanger bars.

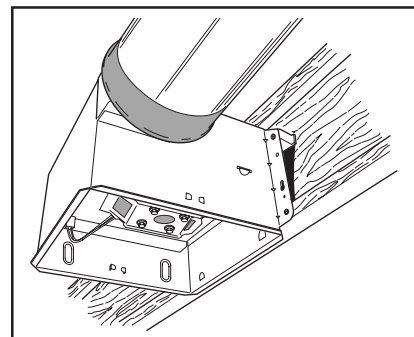
2. Attach damper/duct connector.

Snap damper / duct connector onto housing. Make sure connector is flush with top of housing and damper flap falls closed.

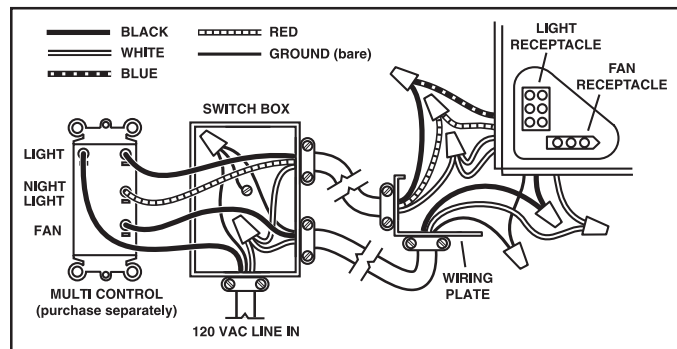
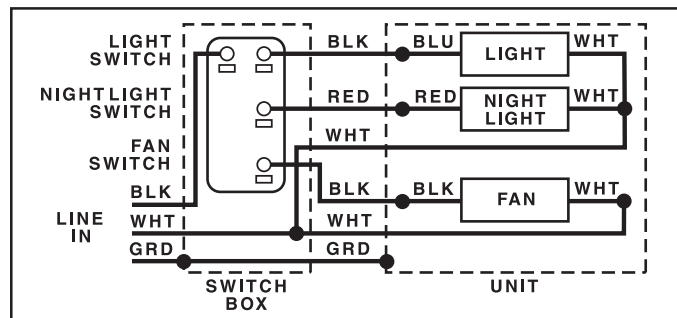


3. Install 6-inch round ductwork.

Connect 6-inch round ductwork to damper / duct connector. Run ductwork to a roof cap or wall cap. Tape all ductwork connections to make them secure and air tight.



CONNECT WIRING



4. Connect electrical wiring.

Run 120 VAC house wiring to installation location. Use proper UL approved connector to secure house wiring to wiring plate. Connect wires as shown in wiring diagrams.

BROAN®

MODELS QTXE080FLT • QTXE110FLT • QTXE150FLT

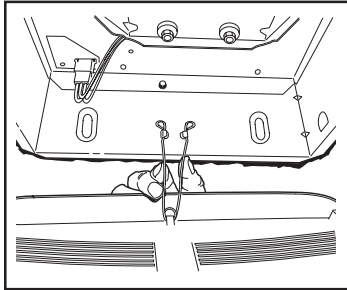
INSTALL GRILLE

5. Finish ceiling.

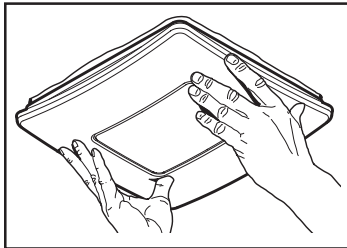
Install ceiling material. Cut out around housing.

6. Attach grille to housing.

Squeeze grille springs and insert them into slots on each side of housing.

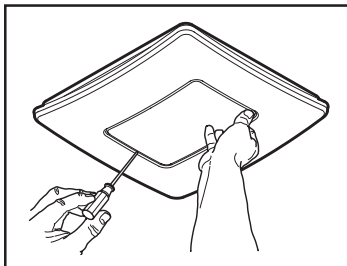


7. Push grille against ceiling.



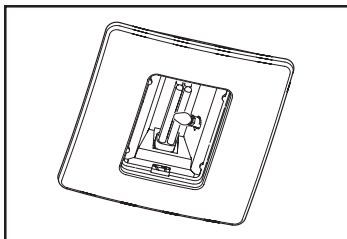
8. Remove light lens.

Carefully insert a small flat-blade screwdriver between grille and lens. Pry lens out.



9. Install light bulbs.

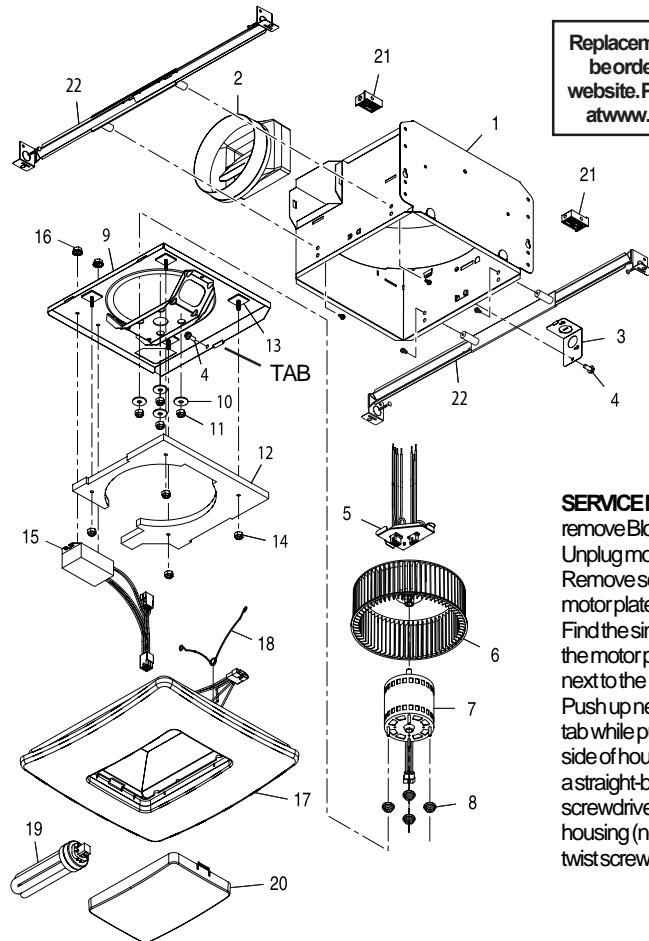
Insert fluorescent bulb* (supplied) into its socket. Purchase a 4W incandescent night-light bulb and screw it into its socket. Replace lens.



* Use only one of the following 42W fluorescent lamps:

G.E.	F42TBX827A4P/EOL or F42TBX830A4P/EOL
PHILIPS	PL-T 42W/827/4P/ALTO or PL-T 42W/830/4P/ALTO
SYLVANIA	CF42DT/E/IN/827 or CF42DT/E/IN/830
NEMA Type	CFTR42W/GX24q/827 or CFTR42W/GX24q/830
Broan	97016888

SERVICE PARTS



Replacement parts can be ordered on our website. Please visit us at www.broan.com

SERVICENOTE To remove Blower Assembly: Unplug motor (7). Remove screw (4) from motor plate (9) flange. Find the single **TAB** on the motor plate (located next to the receptacle). Push up near motor plate tab while pushing out on side of housing. Or insert a straight-blade screwdriver into slot in housing (next to tab) and twist screwdriver.

Key No.	Part No.	Description
1	97016466	Housing
2	97016450	Duct Connector-6"
3	98010102	Wiring Plate
4	99170245	Screw, #8-18 X .375 (2 req'd)
5	97016933	Wire Panel/Harness Assembly
6	99020284	Blower Wheel
7	99080562	Motor (QTXE080FLT)
	99080580	Motor (QTXE110FLT)
	99080565	Motor (QTXE150FLT)
8	99100491	Isolator (4 req'd)
9	97016901	Motor Plate
10	99250959	Washer #8 (4 req'd)
11	99260558	Nut, Hex Lock #8-32 (4 req'd)
*	97016925	Blower Assembly (QTXE080FLT)
*	97016906	Blower Assembly (QTXE110FLT)
*	97016926	Blower Assembly (QTXE150FLT) (includes key nos. 6 thru 14)
12	99500397	Insulation (QTXE150FLT only)
13	99420648	Threaded Stud (QTXE150FLT only) (4 req'd)
14	99260570	Plastic Nut (QTXE150FLT only) (4 req'd)
15	97016864	Ballast Assembly
16	99260423	Nut, Hex #8-32 (2 req'd)
17	97016866	Grille Assembly (includes key nos. 18 & 20)
18	99140199	Grille Spring (2 req'd)
19	97016888	Bulb, 42W Fluorescent
20	99111284	Lens
21	99111293	Spacer (2 supplied)
22	QTHB1	Hanger Bar Kit

Order service parts by "Part No." - not by "Key No."

99043849A