

# NuTone®

Architectural & Engineering Specifications  
April 2009

## Recessed Light / Fan MODEL 744NT

### DESCRIPTION

#### TRIM RING BAFFLE:

- Polymeric construction with matte white finish
- Recessed styling, mounts flush with finished ceiling
- Accepts any one of these bulbs (bulb not included):  
75W, R30, BR30, PAR30L, or PAR30LN

#### BLOWER:

- Plug-in, permanently lubricated, motor
- Dynamically balanced centrifugal blower wheel for quiet, efficient performance
- Low RPM for quiet operation

#### HOUSING:

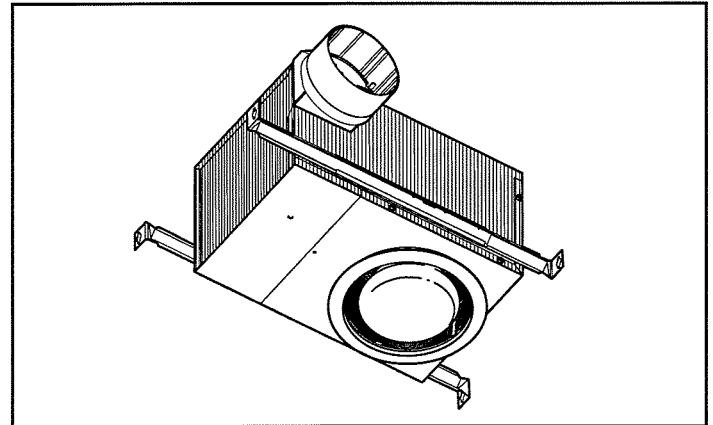
- Rugged, 26 gage, galvanized steel construction
- 4" round, polymeric duct connector with 2" tapered sleeve and no metallic clatter
- Adjustable mounting brackets span up to 24"

**CONTROLS:** Designed for use with this product (purchase separately)

- Model VS-96 - One rocker switch with "on" indicator light - fits single outlet box
- Model VS-86SN - Two rocker switches - fits single outlet box
- Model VS-66WH - 60-minute timer for fan and rocker switch for light - fits two-gang outlet box
- Model VS-68WH - 15-minute timer for fan and rocker switch for light - fits two-gang outlet box

U.L. Listed for use over bathtubs and showers when connected to a GFCI protected branch circuit and used with a PAR30L or PAR30LN bulb.

U.L. Listed for use in insulated ceilings (TYPE I.C.)



### SPECIFICATIONS

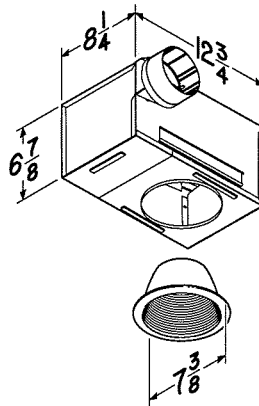
MODEL	VOLTS	AMPS*	WATTS
744NT	120	1.2	125**

\* Total Connected Load  
\*\* BR30-size bulb.

STATIC PRESSURE	CFM	SONES	FAN WATTS	DUCT
0.10	70	1.5	28.2	4" Round
0.25	56			



HVI-2100 CERTIFIED RATINGS comply with new testing technologies and procedures prescribed by the Home Ventilating Institute, for off-the-shelf products, as they are available to consumers. Product performance is rated at 0.1 in. static pressure, based on tests conducted in a state-of-the-art test laboratory. Sones are a measure of humanly-perceived loudness, based on laboratory measurements.



### ARCHITECT'S SPECIFICATION

- Light / Fan shall be NuTone Model 744NT as manufactured by NuTone according to specifications listed:
- Light / Fan shall have corrosion resistant steel housing and adjustable mounting brackets.
- Motor assembly to be removable and permanently lubricated.
- Non-metallic damper/duct connector to be included.
- Light / Fan to operate separately (or in combination).
- Light / Fan must use an R30 / BR30 Max. 75W bulb (PAR30L or PAR30LN Max. 75W bulb for use over bath tub and shower) - recessed into ceiling.
- Air delivery shall be no less than 70 CFM and sound level no greater than 1.5 Sones. All air and sound ratings shall be certified by HVI.
- Light / Fan must be U.L. and cU.L. listed for use in insulated ceilings (Type I.C.) and for use over bathtubs and showers when connected to a GFCI protected branch circuit and used with a PAR30L or PAR30LN bulb.

### INSTALLATION

Complete installation instructions are included with each Recessed Light / Fan.

REFERENCE	QTY.	REMARKS	Project
			Location
			Architect
			Engineer
			Contractor
			Submitted by <span style="float: right;">Date</span>

90D 99043395D