

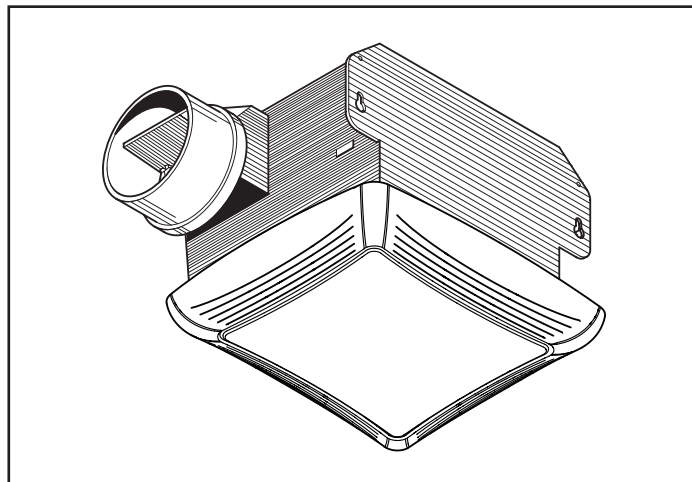
## Model 763 Ventilation Fan with Light

### DESCRIPTION

- Efficient ventilation and bright light in one easy installation.
- Fan and light operate separately or together.
- Quiet operation with one-piece molded blower wheel and silent backdraft damper.
- Attractive grille styling.
- Plug-in motor and light.
- Uses one (1) 100 watt incandescent bulb (bulb not included).
- Refer to NuTone's catalog for a complete listing of accessories to effectively adapt this Ventilation Fan with Light to your construction requirements.

### DESIGN FEATURES

- Air Delivery:** 50 cfm.  
**Sound Level:** 2.5 Sones.  
**Dimensions:** **Housing:** 8¼" x 8" x 5¾".  
**Grille:** 12" x 10¾".  
**Lamp:** One 100W maximum A19 (bulb not included)
- Material & Component Data:** **Housing:** Galvanized steel.  
**Grille:** White polymeric.  
**Lens:** Translucent white polymeric.  
**Reflector:** Galvanized steel (white).  
**Damper:** Polymeric.
- Motor:** Plug-in, permanently lubricated.  
**Electrical Rating:** With one (1) 100 watt bulb:  
 120 VAC, 60 Hz, 1.6 A  
**Blower Wheel:** One-piece polymeric,  
 4¾" diameter.  
**Duct Size:** 4" diameter.  
**Mounting:** Mounting flange provided.
- Model 763H:** Housing Pack  
**Model 763F:** Finish Pack



### INSTALLATION

- Suitable for use over tub or shower enclosure when installed in a GFCI protected branch circuit.
- Installation instructions are included with each unit.
- Type IC for use with thermal insulation.
- Not for use with solid state speed controls.
- Not for use in kitchens.

### ARCHITECT'S SPECIFICATIONS

Ventilation Fan with Light shall be NuTone Model 763 as manufactured according to listed specifications. Fan shall ventilate 50 cfm at a sound level of 2.5 Sones. Housing shall be 8¼" x 8" x 5¾" and connect to 4" duct.



REFERENCE	QTY.	REMARKS	Project
			Location
			Architect
			Engineer
			Contractor
			Submitted by _____ Date _____

# PERFORMANCE RATINGS

## MODEL 763 FAN / LIGHT

### HVI PERFORMANCE

Model	Static Pressure (Ps)	CFM	Sones	Fan Watts
763	0.10	50	2.5	42.4
	0.25	39		41.6



HVI-2100 CERTIFIED RATINGS comply with new testing technologies and procedures prescribed by the Home Ventilating Institute, for off-the-shelf products, as they are available to consumers. Product performance is rated at 0.1 in. static pressure, based on tests conducted in a state-of-the-art test laboratory. Sones are a measure of humanly-perceived loudness, based on laboratory measurements.

### AMPS

Model	Amps
763	1.6

### WEIGHT

Model	Shipping Weight
763	6.0 lbs.

### AIR FLOW PERFORMANCE

MODEL 763

