

MD6-ES24VK Submittal Outside Air Motorized Damper & Envirosense Ventilation Control Kit

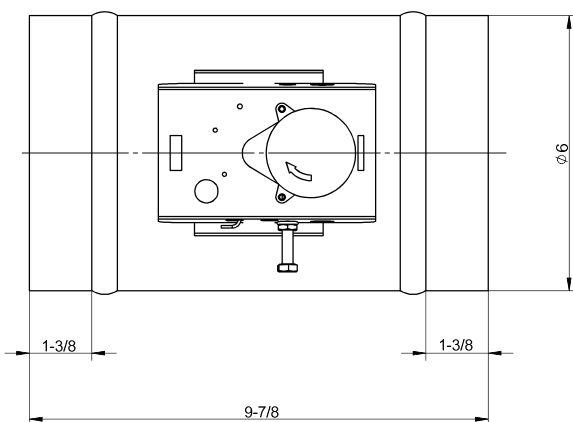
The MD6-ES24VK fresh air kit from S&P allows fresh air to enter dwellings to meet building code and ventilation standards requirements through a 6" motorized damper controlled by a 24V temperature/humidity monitoring control. The control can command the central HVAC blower to help distribute the fresh air through the existing ductwork if necessary.

MD6 Specifications

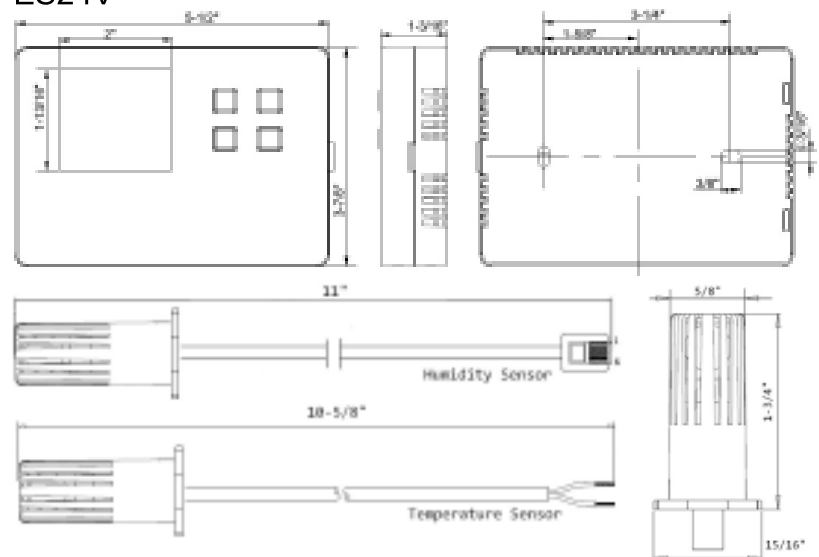
Round Duct Size (inches)	Frequency	Voltage	Current	Ins Class	Duty	Rated Ambient (°C)
6	60 Hz	24	0.3 A	A	Int	40

Dimensions

MD6



ES24V



ES24V Features

- Easy to read, back-lit LCD screen
- 24-volt control
- Simple setup with four-button interface
- Can be set to run supply fan continuously or intermittently or using Eco-Mode to turn fan off at set temperature/humidity
- Measures outdoor temperature to stop ventilation at adjustable high and low outdoor temperature lockouts
- Measures outdoor humidity to stop ventilation at adjustable high and low humidity lockouts
- Control programming maintains ASHRAE 62.2-2010 even during high and low temperature limit lockouts
- Installation flexibility – ability to override humidity and temperature control
- Inputs for optional duct heater and motorized damper