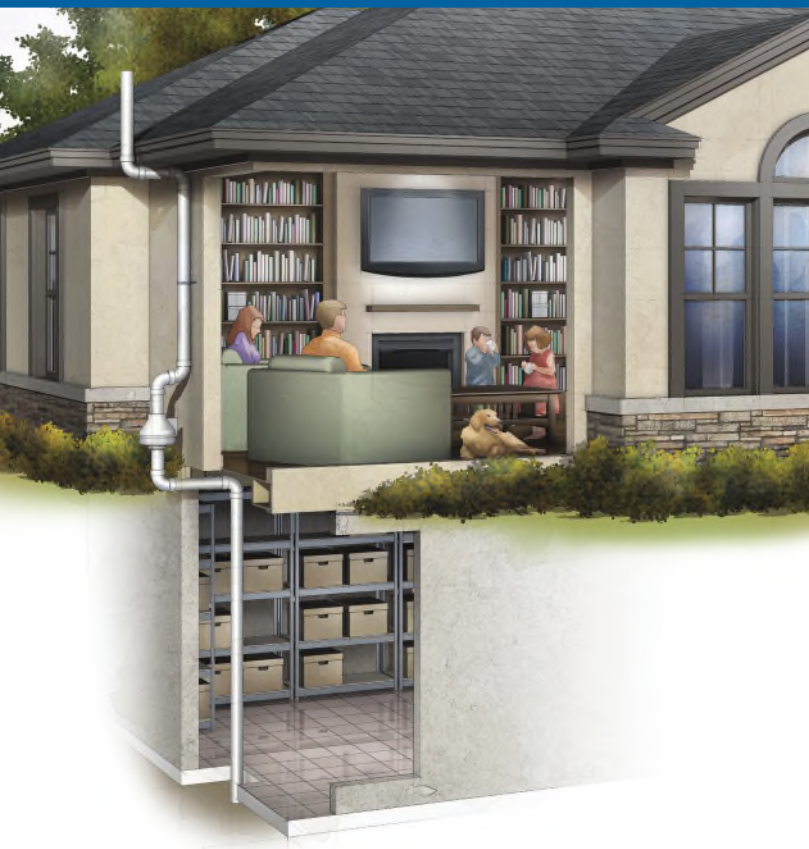




## PRF - Radon Mitigation Fans



## *Advancing Ventilation*<sup>®</sup>



# RADON: A HEALTH HAZARD WITH A SIMPLE SOLUTION.

Radon is a hazardous, odorless gas that is everywhere! It cannot be seen, tasted or smelled by humans, making it impossible to detect without radon testing. Nearly 1 out of every 15 homes in the U.S. is estimated to have elevated radon levels.

## WHAT IS RADON?

Radon comes from the natural radioactive breakdown of uranium in soil, rocks, and waters. As the breakdown happens, the gas moves into the air you breathe. It can affect any building but is most dangerous at home. When radon is trapped in your home the gas can build up to dangerous levels, resulting in health risk, such as lung cancer. The EPA estimates radon is the #1 cause of lung cancer among non-smokers and second leading cause of lung cancer.\*

## TESTING FOR RADON

Radon testing is the only way to know if you and your family are at risk. Testing is easy and inexpensive; most hardware stores carry radon test kits. EPA recommends you mitigate your home with any radon level above 4 Picocuries per liter (4pCi/L)

Reducing radon levels in your home is easy. Find a qualified radon service professional to mitigate your home through your state's radon office or at the EPA website at <https://www.epa.gov/radon/find-radon-test-kit-or-measurement-and-mitigation-professional>.

\*For more information about radon risks and solutions visit <https://www.epa.gov/radon>

## TYPICAL INSTALLATION

A licensed radon mitigator will design the right solution for your home. A radon system works by lowering the air pressure beneath your home using a specially designed radon fan. The fan draws out the radon gas and safely vents it through a pipe above the roof. The fan can be installed on the exterior of the home (Figure 1) or through the interior or garage (Figure 2).



FIGURE 1



FIGURE 2

# PRF - Radon Mitigation Fans

## APPLICATION

PRF fans are specifically designed for radon mitigation.

## SPECIFICATIONS

- Duct connections sized for easy fit with standard PVC couplings typically used in radon mitigation applications
- Totally enclosed air over
- Fully sealed, high quality plastic housing
- Large, easily accessible, watertight electrical box for unobstructed wiring process
- Easily mount on duct pipe or a heavy-duty metal mounting bracket can be used (sold separately)
- Significantly less expensive than comparable alternatives
- Thermal overload protection
- HVI Certified Performance
- cETLus certified
- 5-year warranty



**PRF-150**

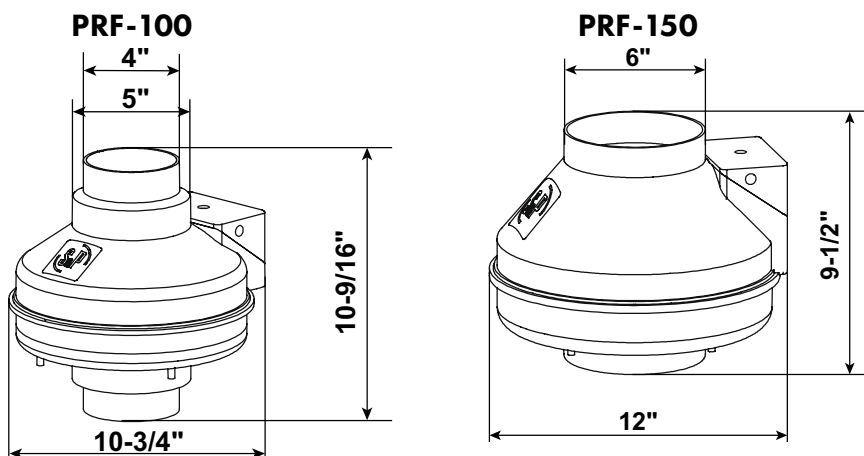
**PRF-100**



## PRF PERFORMANCE

Model	Size	Electrical	Power (W)	Current (A)	RPM	Airflow (CFM) @ Static Pressure (in wc)					
						0.00	0.20	0.40	0.60	0.80	1.00
PRF-100	4"	1/60/120V	92	0.77	3080	169	150	133	117	99	82
PRF-150	6"	1/60/120V	136	1.15	2890	321	290	263	238	217	193

## DIMENSIONS



## RADON INSTALLATION KITS

S&P offers convenient kits for easy installation. Kits include two flexible black couplings with stainless steel hose clamps, a U-tube manometer, and radon system labels. The U-tube manometer (PR-M) is available to purchase separately.



Kit	Used with Model	PVC pipe size
PRFIK-43	PRF-100	3"
PRFIK-44	PRF-100	4"
PRFIK-64	PRF-150	4"