



MODEL TR200

(Energy Recovery Ventilators - ERV)



Specifications

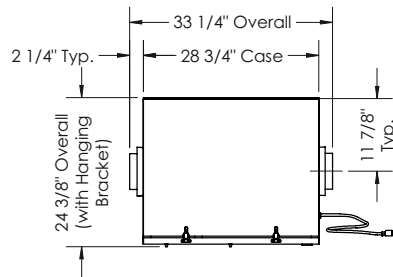
Ventilation Type: Static Plate, Heat and Humidity Transfer				
Typical Airflow Range: 100-200 CFM				
Unit may be mounted in any orientation				
Number Motors: One, 0.1 hp				
V	Hz	Phase	Input Watts	FLA
120	60	Single	157 @ 181 CFM	1.5
Control Voltage: 24 VAC				
Filters: 2 MERV 8, spun polyester media. 10-1/2" x 21-3/4" x 1"				
Weight: 68 lbs (unit), 110 lbs (in carton)				
Shipping Dimensions: 34" L x 44" W x 34" H				

Performance

Airflow CFM	ESP in H ₂ O	Temp EFF%	Total EFF% Winter*	Total EFF% Summer*
122	0.70	81	77	64
149	0.60	79	75	61
168	0.50	78	73	59
176	0.40	78	72	59
186	0.30	77	72	58
192	0.20	77	71	57
207	0.10	76	70	56

* Contact Factory for HVI certification report for complete certified rating.

Dimensions

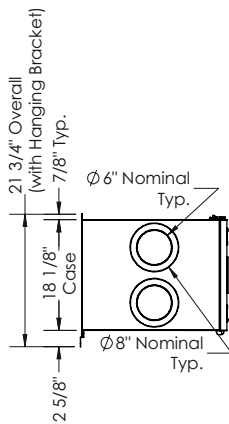


TOP VIEW

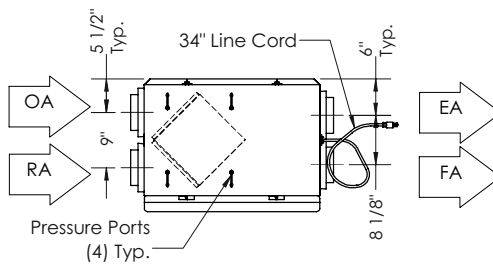
ABBREVIATIONS
 EA: Exhaust Air to outside
 OA: Outside Air intake
 RA: Room Air to be exhausted
 FA: Fresh Air to inside

INSTALLATION ORIENTATION
 Unit may be installed in any orientation.

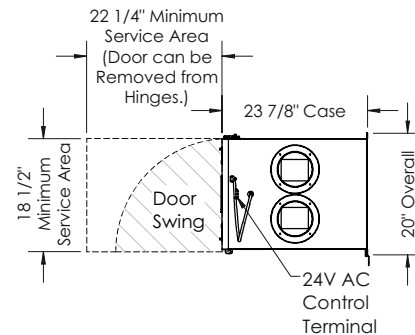
NOTE
 1. UNLESS OTHERWISE SPECIFIED, DIMENSIONS ARE ROUNDED TO THE NEAREST EIGHTH OF AN INCH.



LEFT VIEW



FRONT VIEW



RIGHT VIEW