



MODEL TRC500

(Energy Recovery Ventilators- ERV)



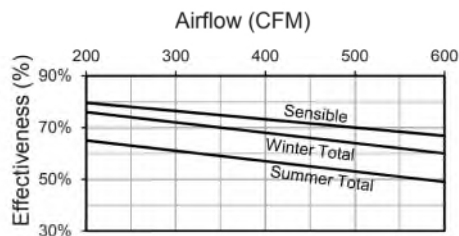
Specifications

Ventilation Type: Static Plate, Heat and Humidity Transfer					
Typical Airflow Range: 200-540 CFM					
AHRI 1060 Certified Core: One L85-G5					
Airflow Rating Points (for AHRI): 450 CFM and 338 CFM					
Motors: One, 0.6 hp (Single Phase)					
V	Hz	Phase	FLA	Min. Cir. Amps	Max. Overcurrent Protection Device
115	60	Single	7.2	9.0	15
208-230	60	Single	3.9-3.6	4.9	15
Standard Features: Non-Fused Disconnect 24 VAC Transformer/Relay Package					
Filters: Two total, MERV 8, 2" pleated, 14" x 20" nominal size					
Weight: 137-199 lbs (unit), 250 lbs (ship weight)					
Shipping Dimensions: 62" L x 42" W x 22" H					

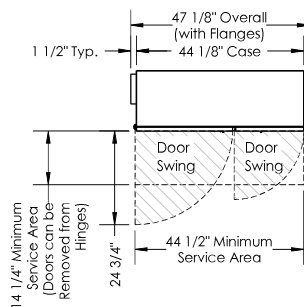
Unit Performance

Airflow CFM	ESP in H ₂ O	Watts
225	1.25	335
375	0.89	464
420	0.75	518
480	0.50	584
500	0.43	600
540	0.25	640
575	0.00	690

Core Performance



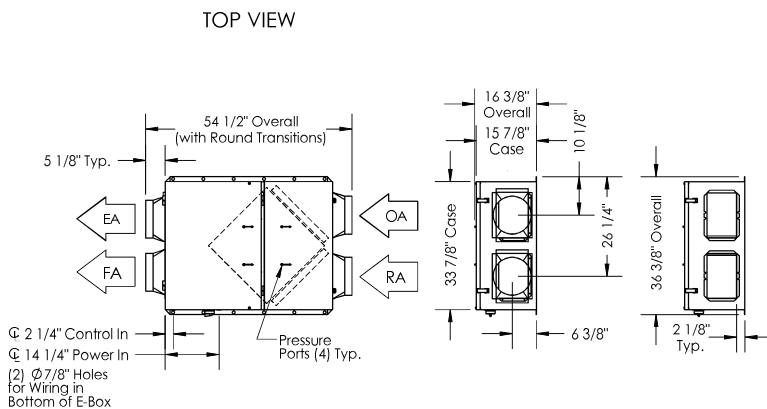
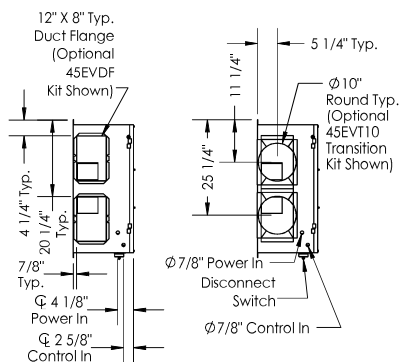
Dimensions



ABBREVIATIONS
 EA: Exhaust Air to outside
 OA: Outside Air intake
 RA: Room Air to be exhausted
 FA: Fresh Air to inside

INSTALLATION ORIENTATION
 Unit may be installed in any orientation.

NOTE
 1. UNLESS OTHERWISE SPECIFIED, DIMENSIONS ARE ROUNDED TO THE NEAREST EIGHTH OF AN INCH.



LEFT VIEW

FRONT VIEW

RIGHT VIEW