



# MODEL TRC800

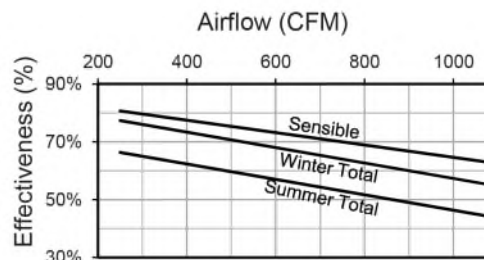
(Energy Recovery Ventilators (ERV))



## Specifications

Ventilation Type: Static Plate, Heat and Humidity Transfer					
Typical Airflow Range: 250-925 CFM					
AHRI 1060 Certified Core: One L85					
Airflow Rating Points (for AHRI): 750 CFM and 563 CFM					
Number Motors: Two direct drive blower/motor packages					
V	Hz	Phase	FLA (per motor)	Min. Cir. Amps	Max. Overcurrent Protection Device
115	60	Single	9.0	20.3	25
208-230	60	Single	4.5	10.1	15
Standard Features: Non-Fused Disconnect 24 VAC Transformer/Relay Package					
Filters: Two total, MERV 8, 2" pleated, 20" x 20" nominal size					
Weight: 204-275 lbs (unit), 325 lbs (shipping weight)					
Shipping Dimensions: 63" L x 30" W x 56" H					

## Core Performance



At AHRI 1060 standard conditions. See all AHRI certified ratings at [www.ahrinet.org](http://www.ahrinet.org).

## Airflow Performance

Motor HP Phase	External Static Pressure (Inches Water Column)						
	0.0	0.25	0.5	0.75	0.9	1.25	1.5
0.75	970 CFM	925 CFM	860 CFM	795 CFM	750 CFM	635 CFM	480 CFM
Single Phase	1,490 Watts	1,375 Watts	1,270 Watts	1,160 Watts	1,090 Watts	950 Watts	825 Watts

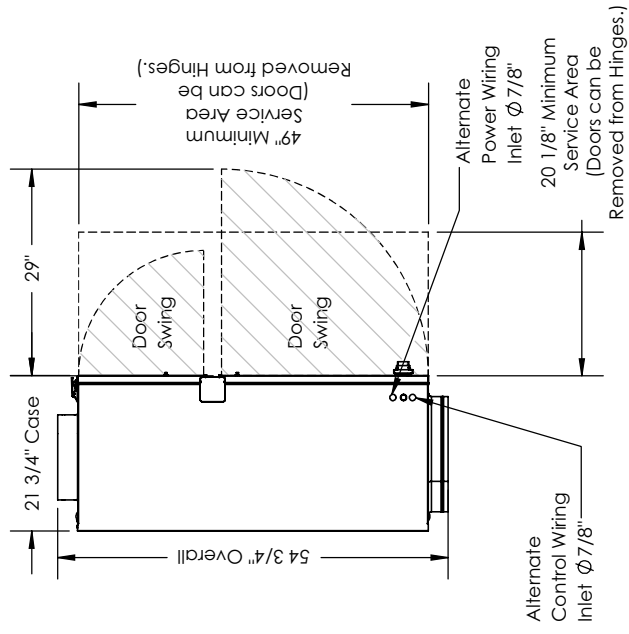
Note: Watts is for the entire unit (two motors).



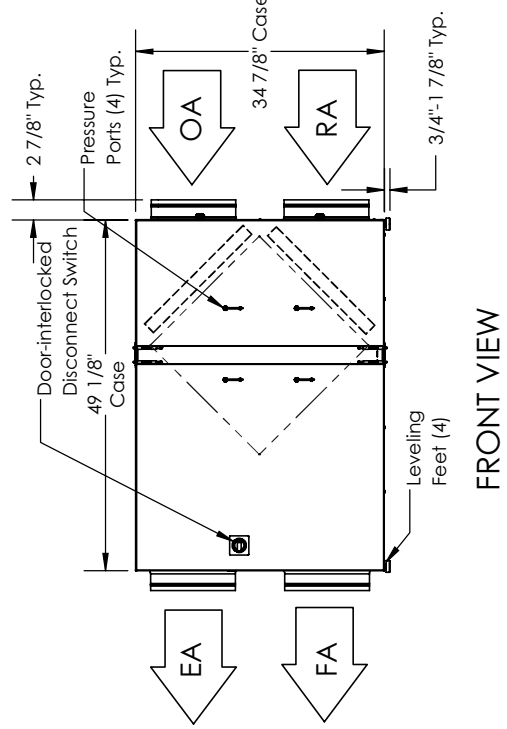
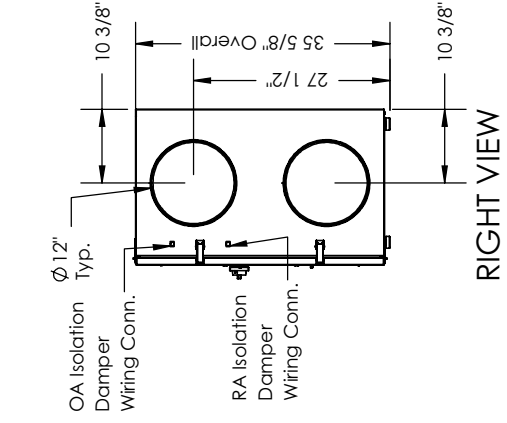
**ABBREVIATIONS**  
 EA: Exhaust Air to Outside  
 OA: Outside Air Intake  
 RA: Room Air to be Exhausted  
 FA: Fresh Air to Inside

**INSTALLATION ORIENTATION**  
 Unit may be installed in any orientation.

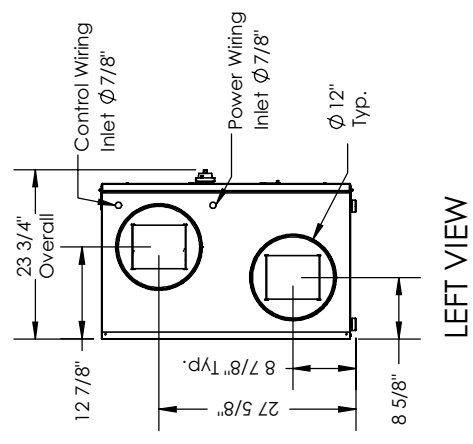
**NOTE**  
 1. UNLESS OTHERWISE SPECIFIED, DIMENSIONS ARE ROUNDED TO THE NEAREST EIGHTH OF AN INCH.



**TOP VIEW**



**FRONT VIEW**



**LEFT VIEW**