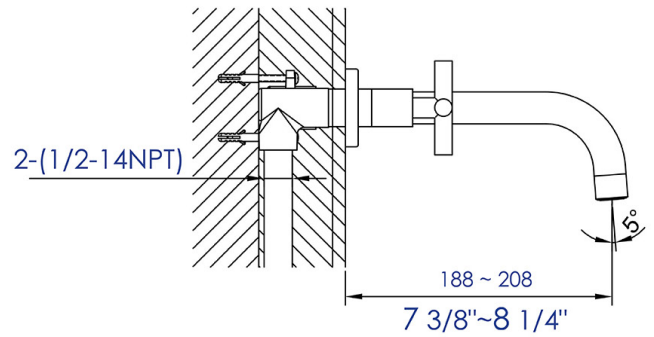
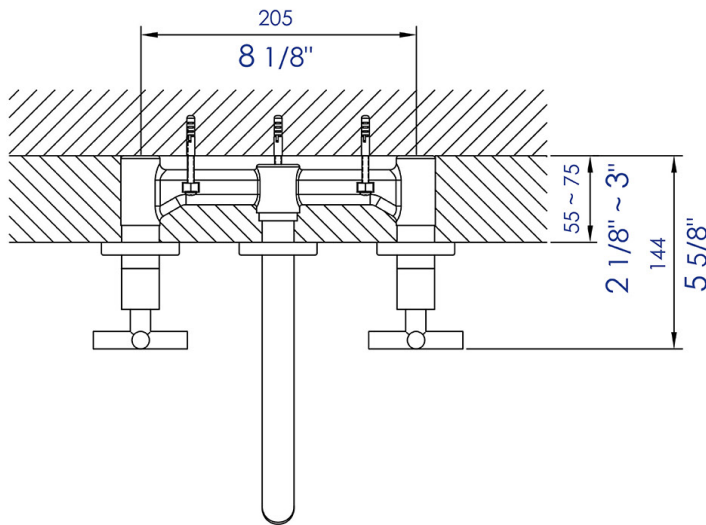


AB1035

8" Widespread Wall-Mounted Cross Handle Faucet



∴kitchensource.com
1.800.667.8721